

BRUSHED NICKEL VELARO SHOWER SET INSTALLATION INSTRUCTIONS



PRIOR TO INSTALLATION

Please read installation instructions below. All plumbing should be installed in accordance with applicable building codes and regulations.

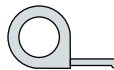
Unpack and inspect the items for any shipping damages. If you find damages, do not install.

All products must be installed by a professional and certified plumber otherwise warranty may be voided.

POSSIBLE TOOLS REQUIRED*



Plumbers Tape



Tape Measure



Level



Adjustable Wrench



Hex Wrench



Thread Sealant



Drill



Pencil or Marker

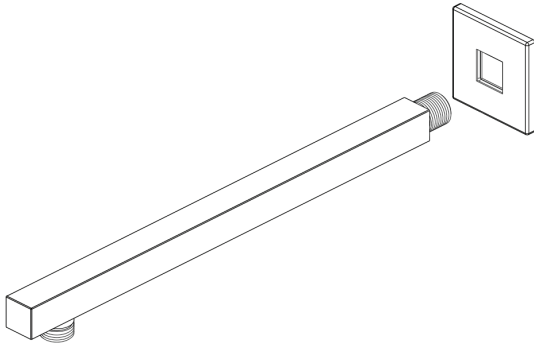


Screwdriver

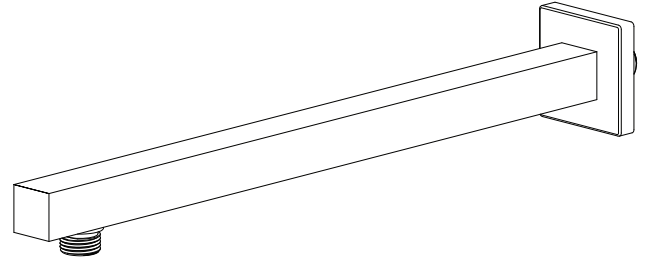
*not included

Wall Mount Shower Installations Instructions

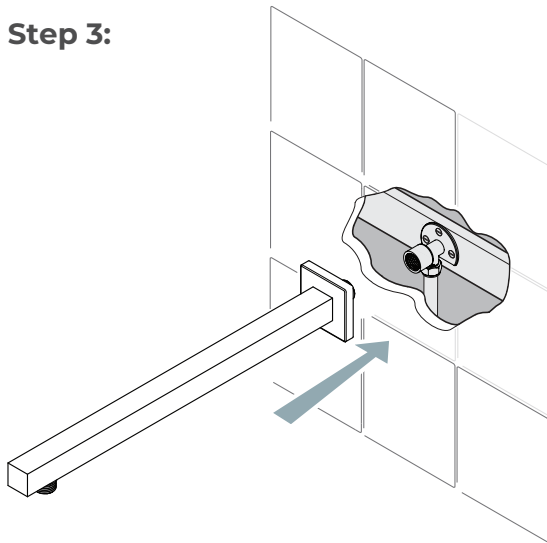
Step 1:



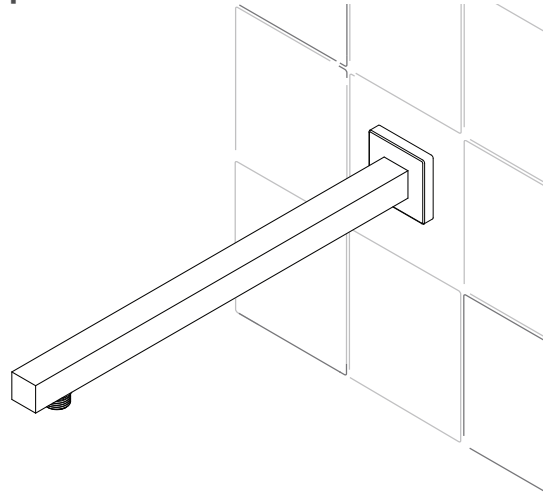
Step 2:



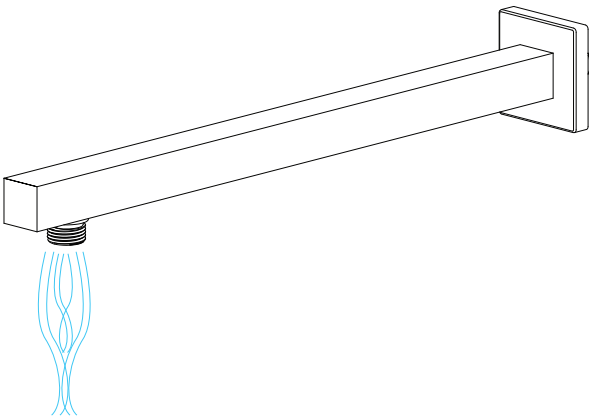
Step 3:



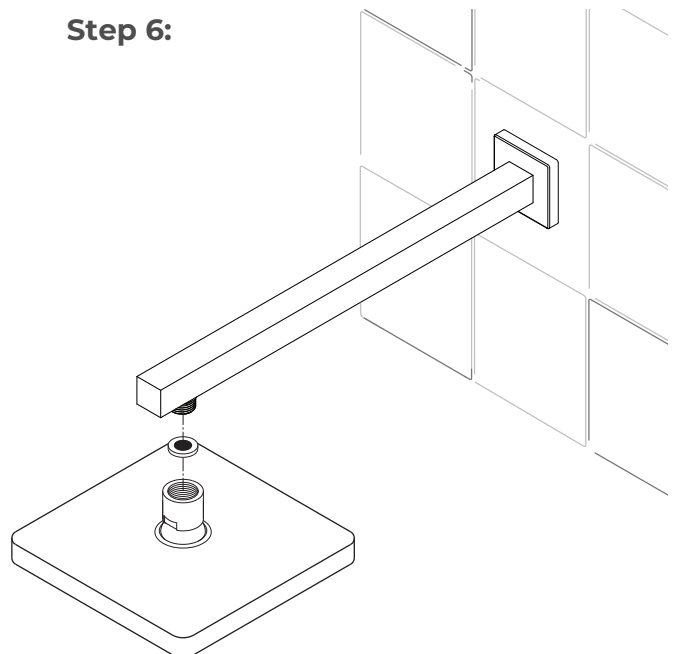
Step 4:



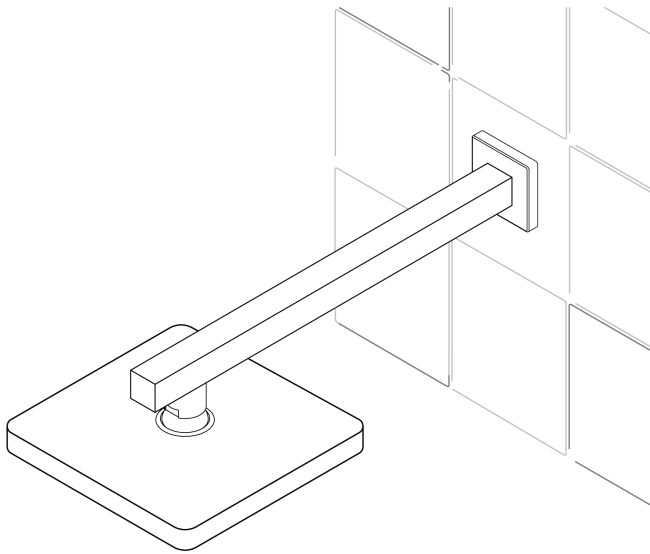
Step 5:



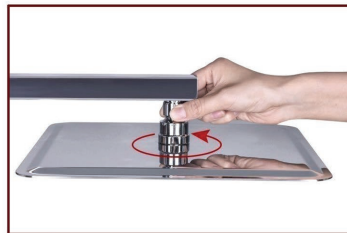
Step 6:



Step 7:



No tools required, G1/2" connector fits standard sized shower plumbing.



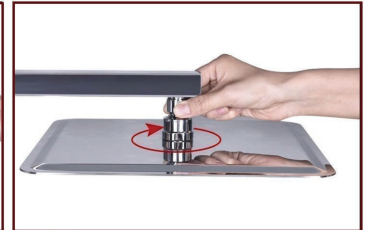
✓ Use your hands counterclockwise to unscrew the old showerhead and removed it.



✓ Take out the Hiendure Showerhead, make sure the shower filter is placed in the connector.



✓ Ensure the showerhead full horizontal alignment wall mounted shower arm thread



✓ Use your hands clockwise to tighten showerhead.

1. Apply plumber's tape to the threads on both ends of the shower arm and slide on the decorative escutcheon.
2. Insert the new arm into the fitting in the Wall and twist to tighten. Finish tightening with your adjustable wrench. Wrap a dry cloth around the shower arm to protect the finish while tightening with adjustable wrench.
3. Thread the new shower head onto the arm and hand-tighten. Hold the shower arm in place with groove joint pliers and finish tightening the shower head with your adjustable wrench. Wrap both in a dry cloth to protect the finish.
4. Before securing the decorative escutcheon, turn on the water supply to make sure that all connections are tight and there is no leaking. If no leaks are detected, continue with the installation. If leakage does occur, use your adjustable wrench to tighten the connections as necessary.
5. Apply a bead of silicone sealant to the back of the escutcheon and press firmly into place against the installation surface. Wipe away any excess sealant with your damp cloth.

(If you are opted for Led Shower head)

The LED light will change its color by detecting water temperature:

0-30°C (32-86°F): Blue LED

30-40°C (86-104°F): Green LED

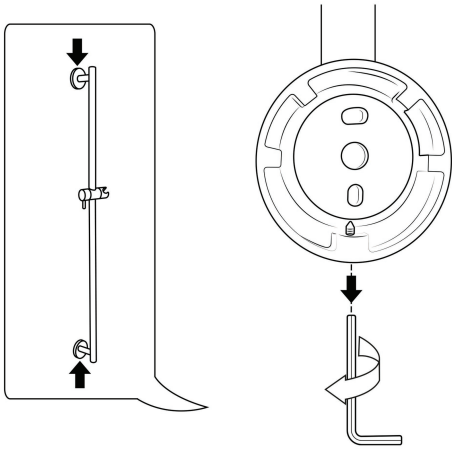
40-50°C (104-122°F): Red LED

50-100°C (122-212°F): Flashing Red LED

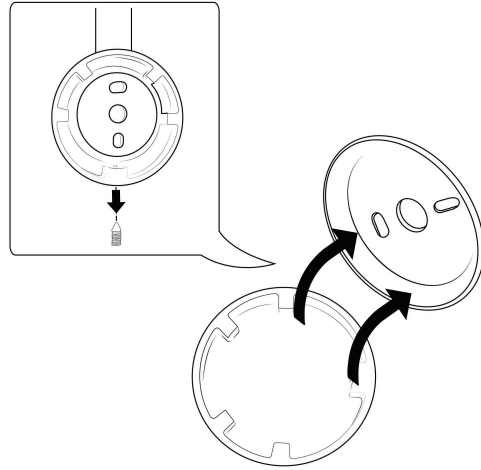
Note: The LED lights are powered by water flow, and will be activated once the water is turned on.

Hand-Held Shower Installations Instructions (Detailed)

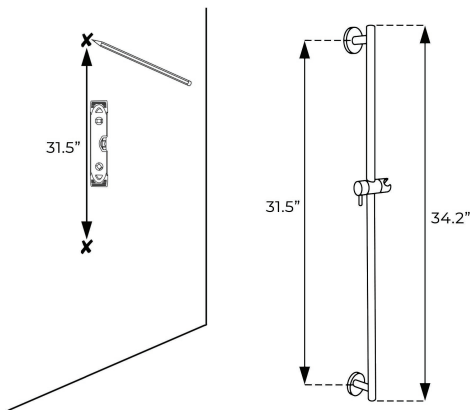
Step 1



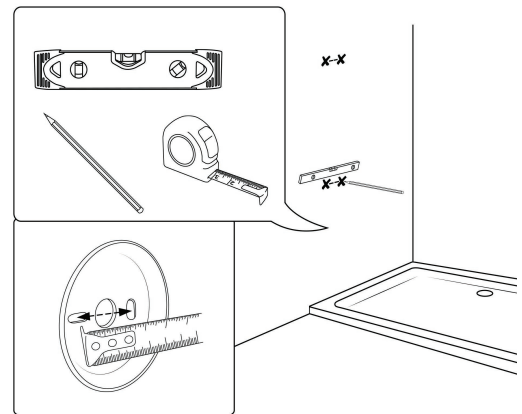
Step 2



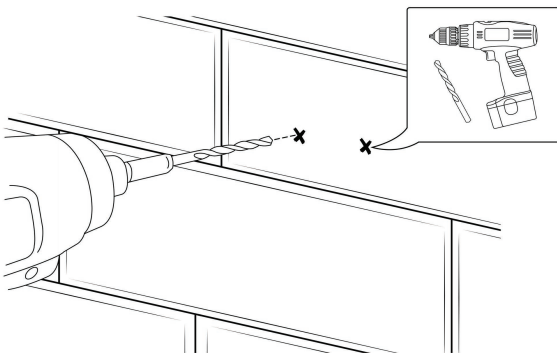
Step 3



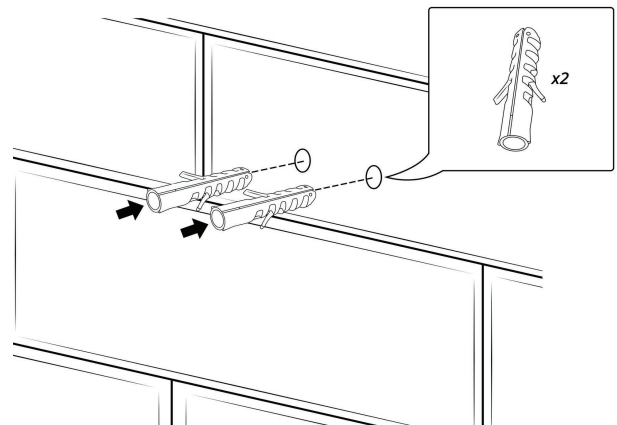
Step 4



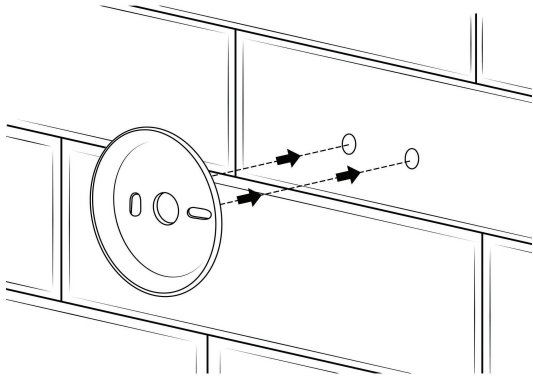
Step 5



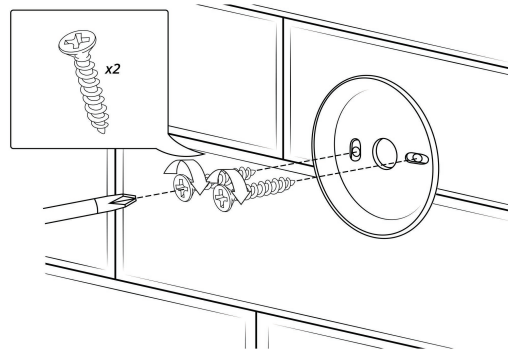
Step 6



Step 7

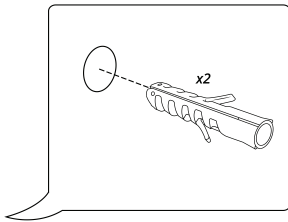


Step 8



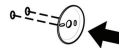
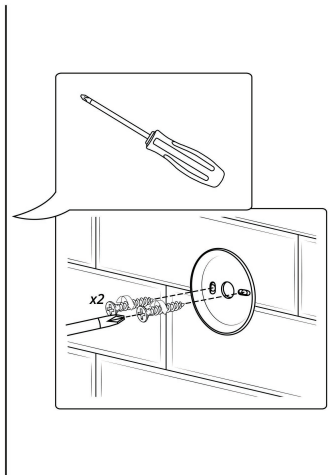
Step 9

①

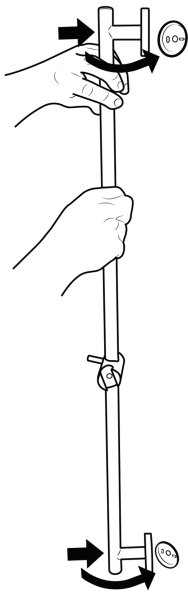


Step 10

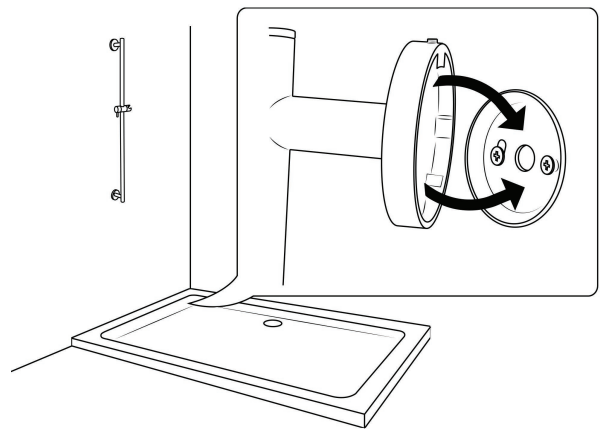
②



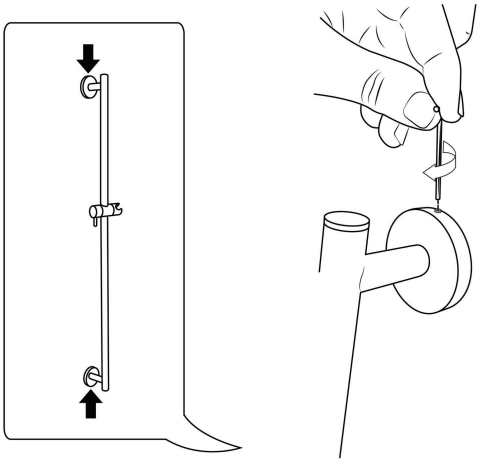
Step 11



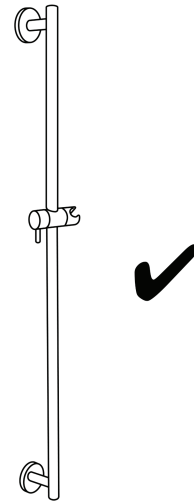
Step 12



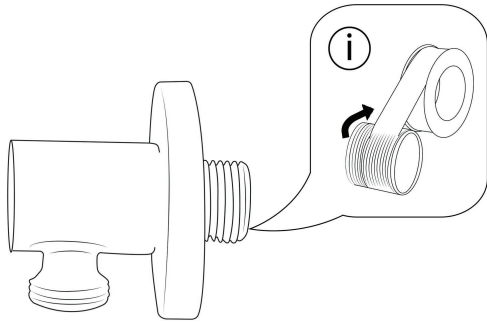
Step 13



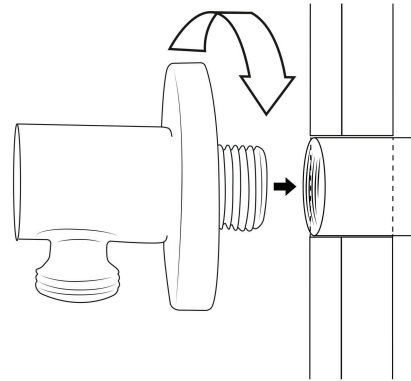
Step 14



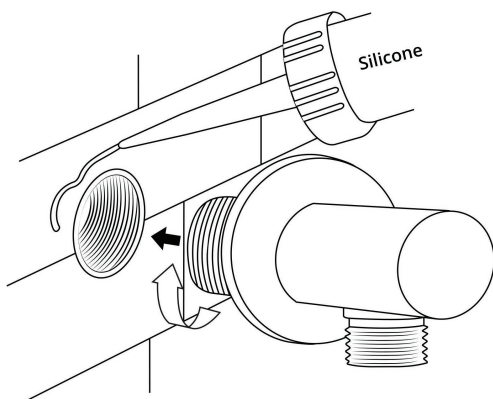
Step 15: (Hand Shower Elbow Installation)



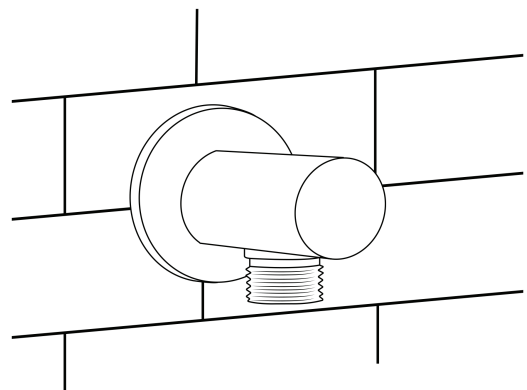
Step 16



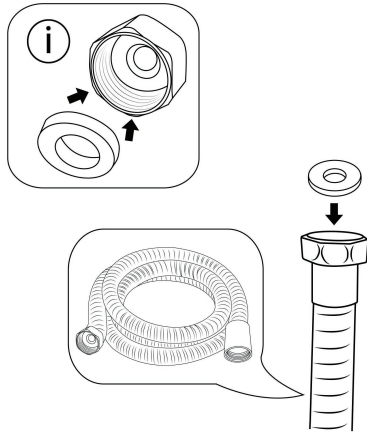
Step 17



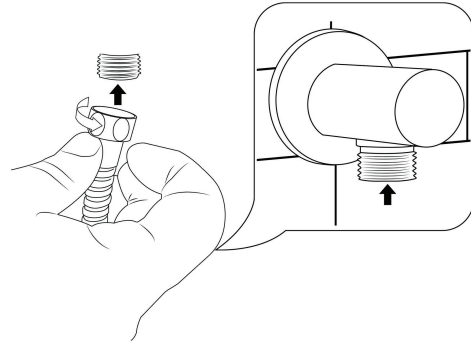
Step 18



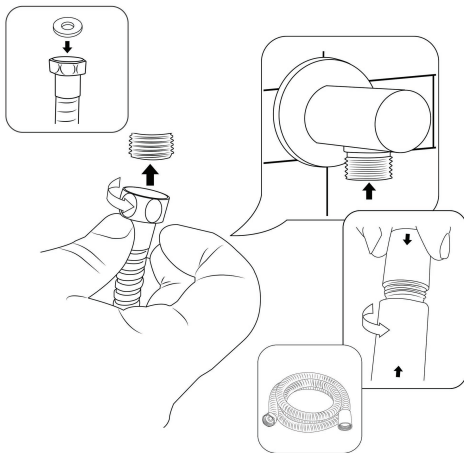
Step 19



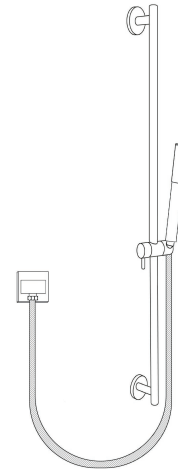
Step 20



Step 21



Step 22



Open The Closed Cover Of The Shower Holder And Take Out The Screws.

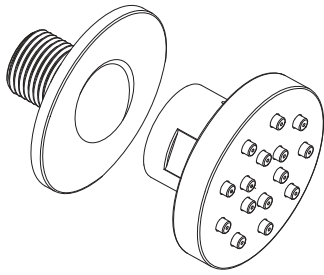
Drill Two Holes Size 0.2" (6mm) On The Wall According To The Hole Position Of The Shower Holder

Use A Hammer To Break 2 Plastic Wall Plug Into Two Holes. Tighten The Screws With The Plastic Wall Plug And Locking With The Shower Holder.

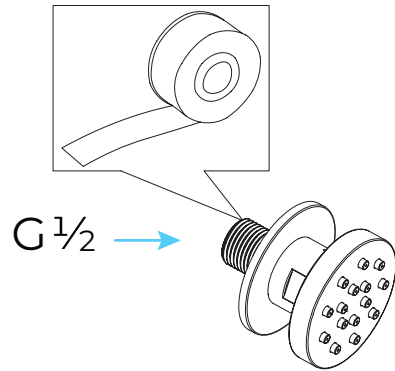
Then Install The Closed Cover

Connect The Shower Hose With The Water Outlet Connection Part And Hand Shower. Plug The Hand Shower In The Shower Holder.

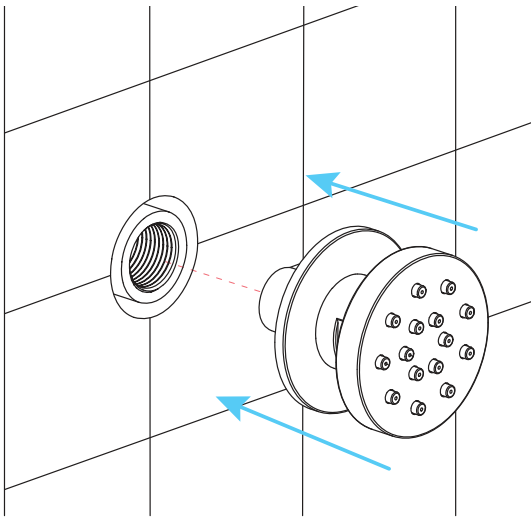
Body Jets Spray Installations Instruction



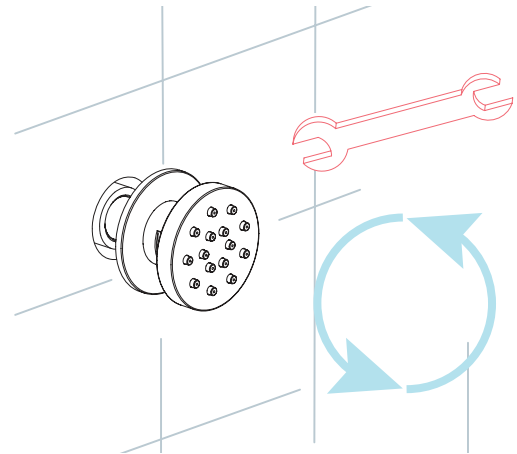
Step 1: Attach the escutcheon to the body spray.



Step 2: Apply teflon tape to threaded tail pipe of the body spray



Step 3: Press the escutcheon against the finished wall

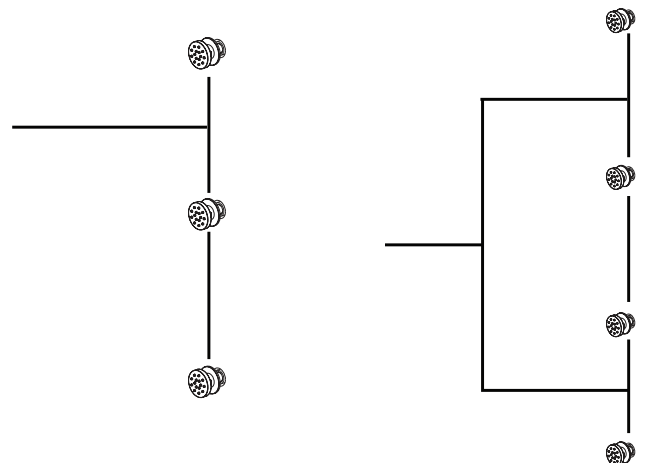


Step 4: Screw the Body spray tightly into the female of water Supply

Pressure Balancing Loop:

. If installing bodysprays in a bank of 3 or fewer, a pressure balancing loop is not necessary.

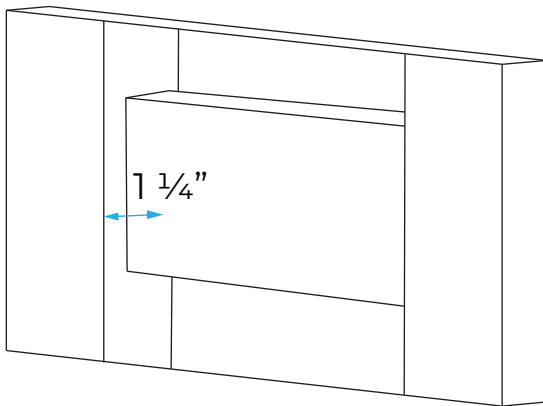
. If installing bodysprays in a bank of 4 or greater, a pressure balancing loop must be used to keep the pressure even between the bodysprays.



Step 1: Valve Installation

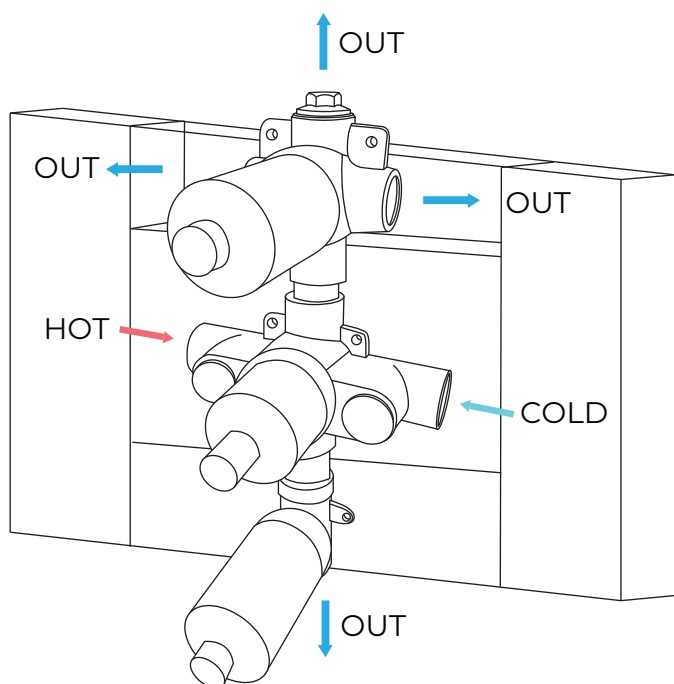
1. To prepare for installation, wood blocking should be installed between the two studs where the valve will mount. The face of the wood blocking should rest 1.25" behind the face of the wall studs.

Important: Take into consideration the thickness of the finished wall materials, such as tile, when calculating measurements.



2. Secure the valve to the prepared wood blocking using the provided hardware. Ensure that the "cold" inlet is pointing to the right, and the "hot" inlet is pointing to the left. Use a level to ensure that the valve is straight and level.

Tip: Leave the protective sleeves on the valve stems until your finished wall is complete, and you are ready to install the trim pieces.



3. Route, assemble, and connect all in-wall piping as desired to and from the shower valve. Make all connections appropriately depending upon the type of pipe that is being used. For copper pipe, soldering will be required and should be completed by a licensed plumber. Apply plumber's tape to any threaded connection if applicable. Install any wood blocking that is necessary to support the piping and valve.

Important Notes:

A) The valve has a single function outlet on the bottom, and a 3-way diverter on the top of the valve.

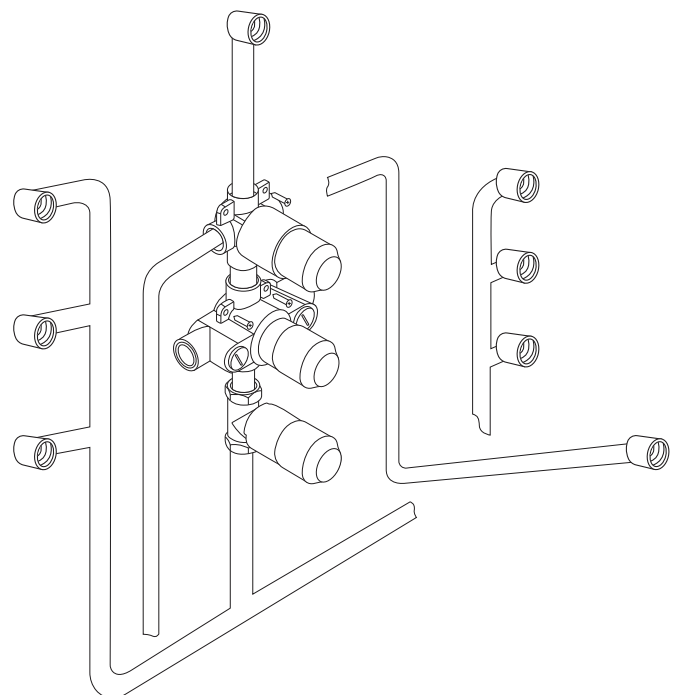
B) The six body jets should be divided between two outlets (three jets per outlet) for maximum output pressure.

C) One shower function of your choosing can be routed to the bottom valve outlet, while the other three functions will route to the 3-way diverter.

D) The functions routed to the 3-way diverter will not be able to be used simultaneously, but each can be used in conjunction with the function routed to the bottom outlet.

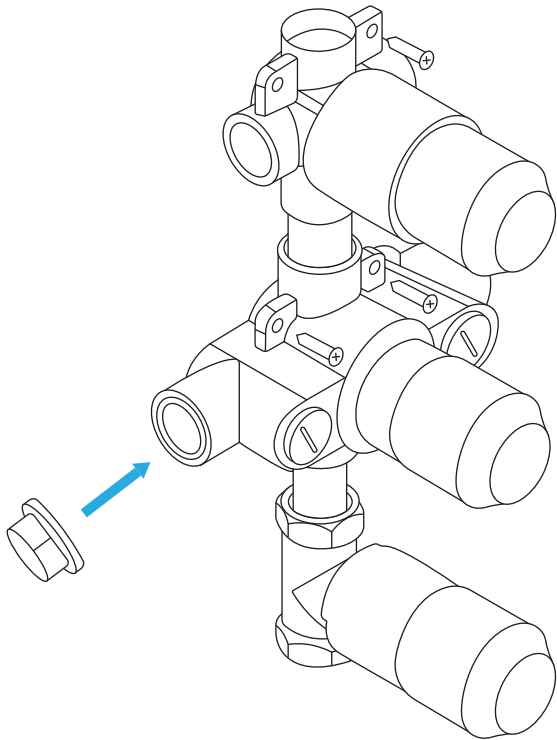
E) Female fittings will need to be placed where the body jets will be installed. The fittings should sit no more than 1/4" behind the finished wall.

F) A 1/2" NPT pipe nipple will need to be placed where the supply elbow for the hand shower will be installed. The nipple should extend 9/16" beyond the finished wall.

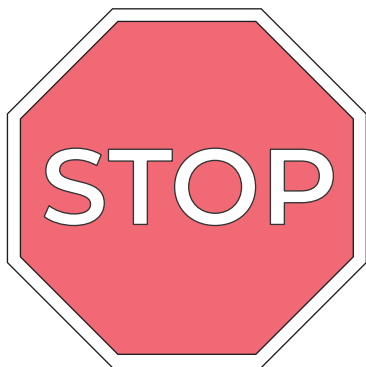


4. Once all piping is routed and connections have been made, use the provided 1/2" test plug to perform a water pressure test. Turn on the main water supply to the home and water test the installed plumbing. Ensure that there are no leaks, then shut the water off. Remove the test plug.

Note: Water pressure testing should be performed by a licensed plumber if you are not familiar with this procedure.

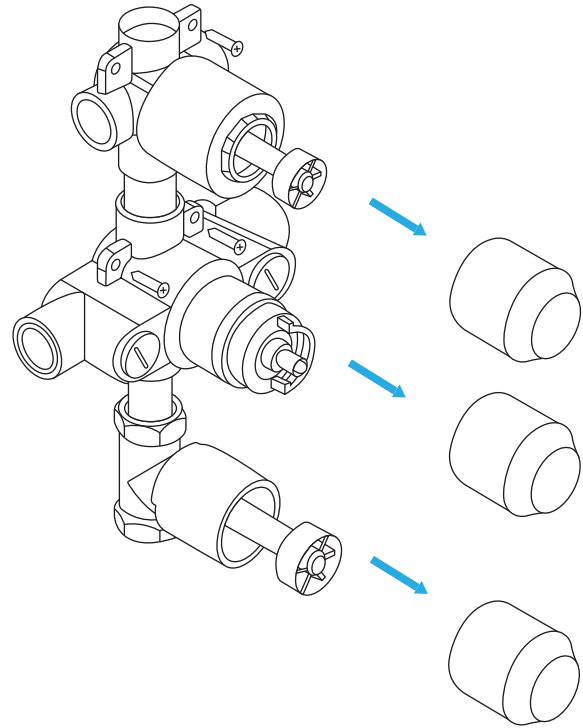


Important: Complete the construction of your wall, including any finished wall materials such as tile, before proceeding with the remainder of the installation.

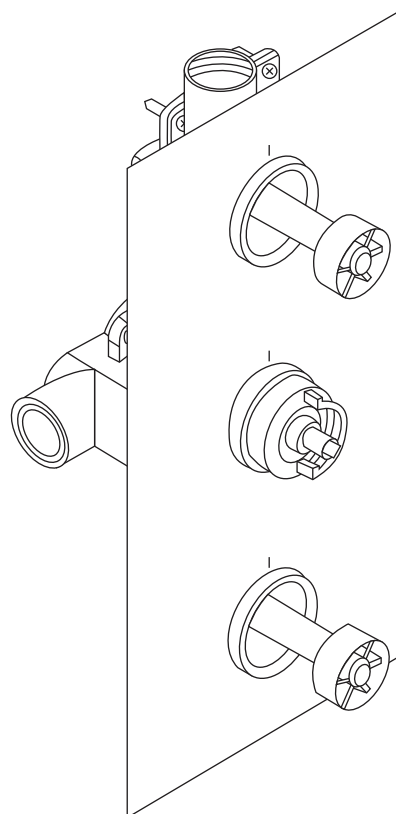


Step 2: Trim Installation

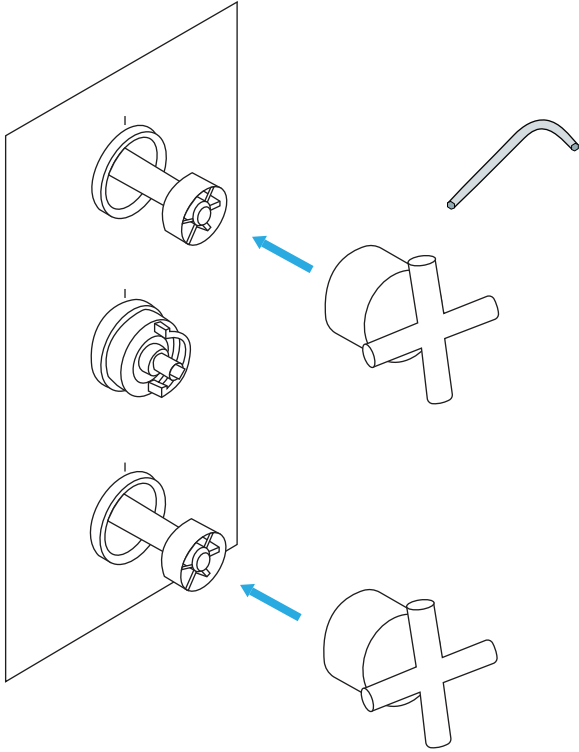
1. Once the finished wall is complete, remove the protective sleeves from the valve stems. If the test plug has not yet been removed, remove that as well.



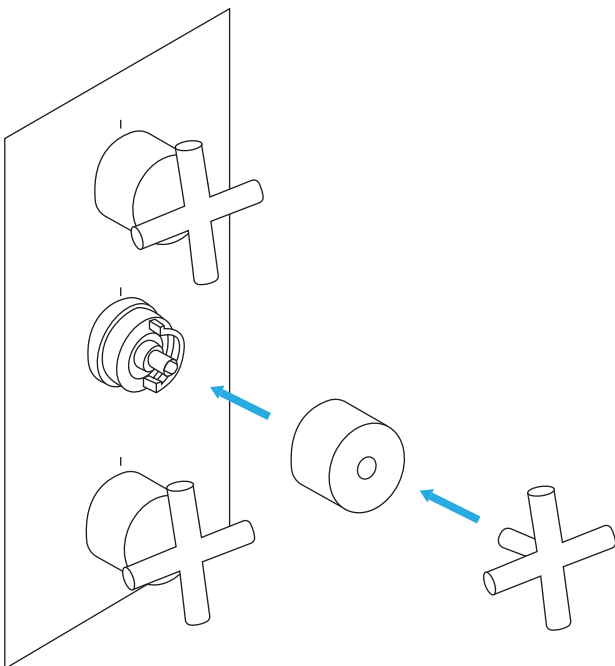
2. Slide the decorative back plate onto the valve. Ensure that the markings located above each opening on the back plate are facing up.



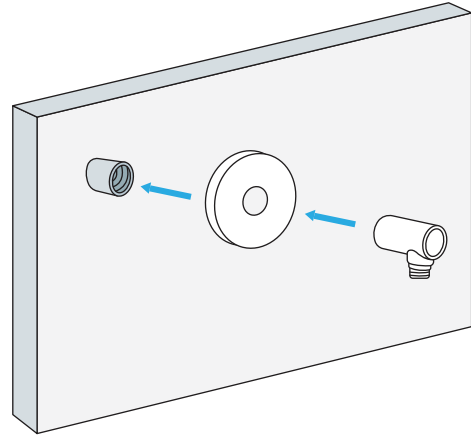
3. Attach the 3-way diverter handle to the top stem by sliding it onto the spindle and tightening the set screw underneath, using the provided hex wrench. Repeat these steps to install the bottom single-function handle.



4. To install the temperature control handle, loosen the set screw and remove the handle from the handle base. Attach the handle base to the center stem using the provided screw. Tighten with a Phillip's screwdriver, then reattach the handle.

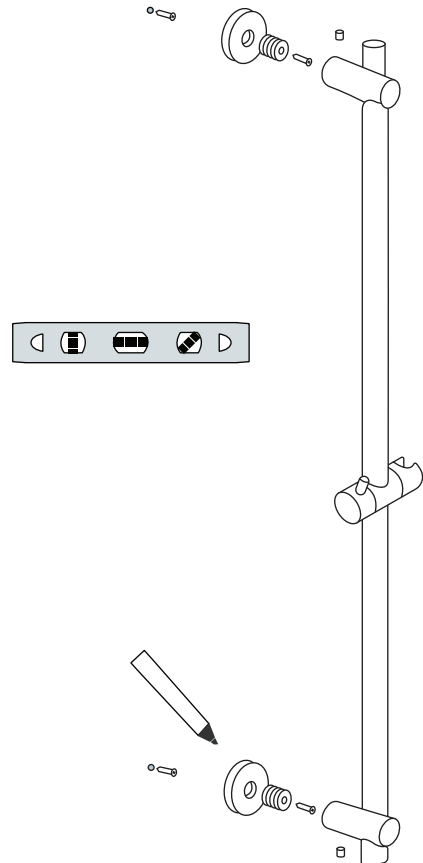


5. To install the hand shower's water supply elbow, thread it onto prepared 1/2" NPT pipe nipple. Apply thread sealant or plumber's tape to the threads before tightening. Be sure to use the decorative escutcheon to conceal the rough-in.

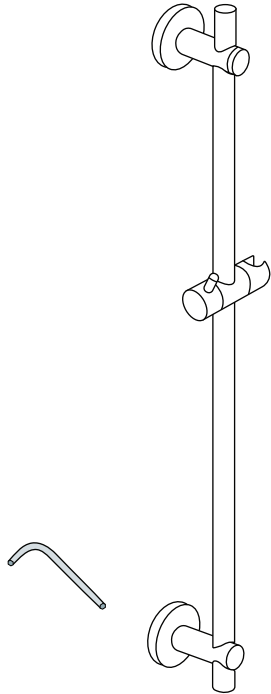


6. Determine a location to mount the hand shower's slide bar. Temporarily install the mounting brackets onto the bar, and hold the bar against the wall at the desired mounting location. Use a level to ensure that the slide bar is straight, then mark the locations of the mounting brackets by outlining them with a pencil. Remove the bar, then attach the brackets to the wall using the provided anchors and screws.

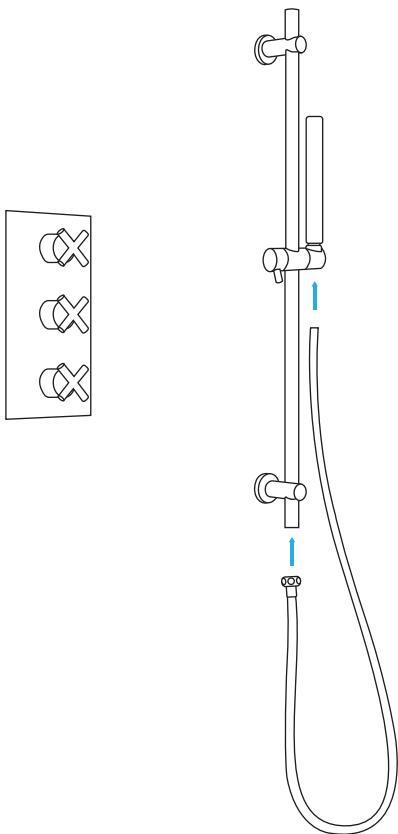
Important: If drilling through tile, you must use a masonry drill bit and drill carefully.



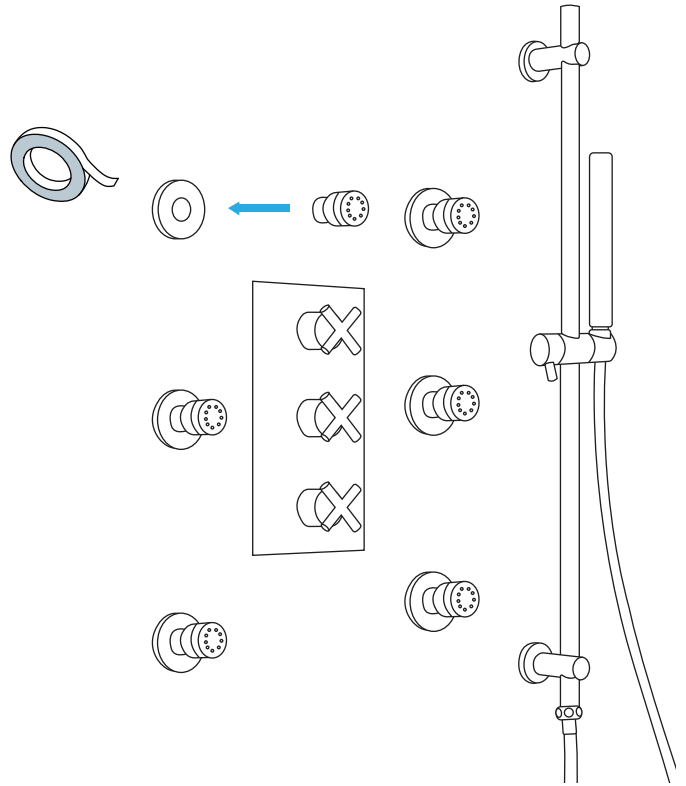
7. Once the mounting brackets are attached to the wall, attach the slide bar by mounting it onto the brackets. To secure, tighten the set screws located on the slide bar using the provided hex wrench.



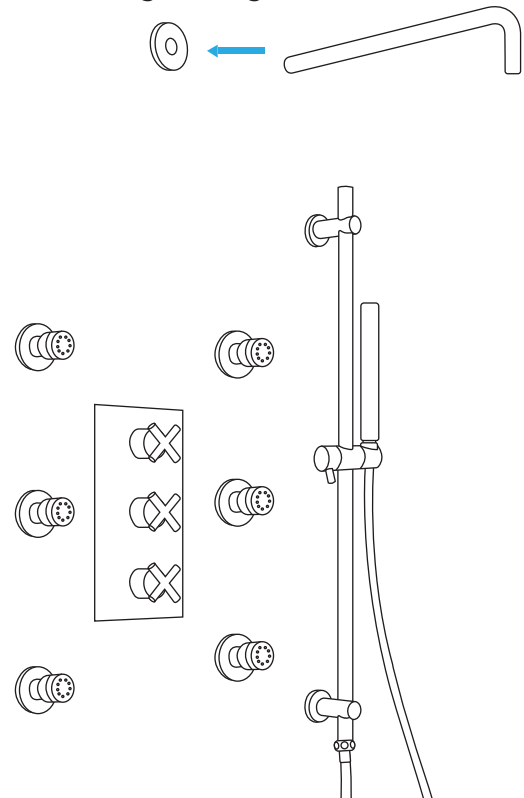
8. Attach the hand shower to the supply elbow using the hand shower hose. Apply thread sealant or plumber's tape to the threads before tightening. Hand tighten the connections firmly.



9. Install each of the body jets by threading them into the prepared female fittings. Be sure to use the decorative escutcheons to conceal the rough-ins. Apply thread sealant or plumber's tape to the threads before tightening.

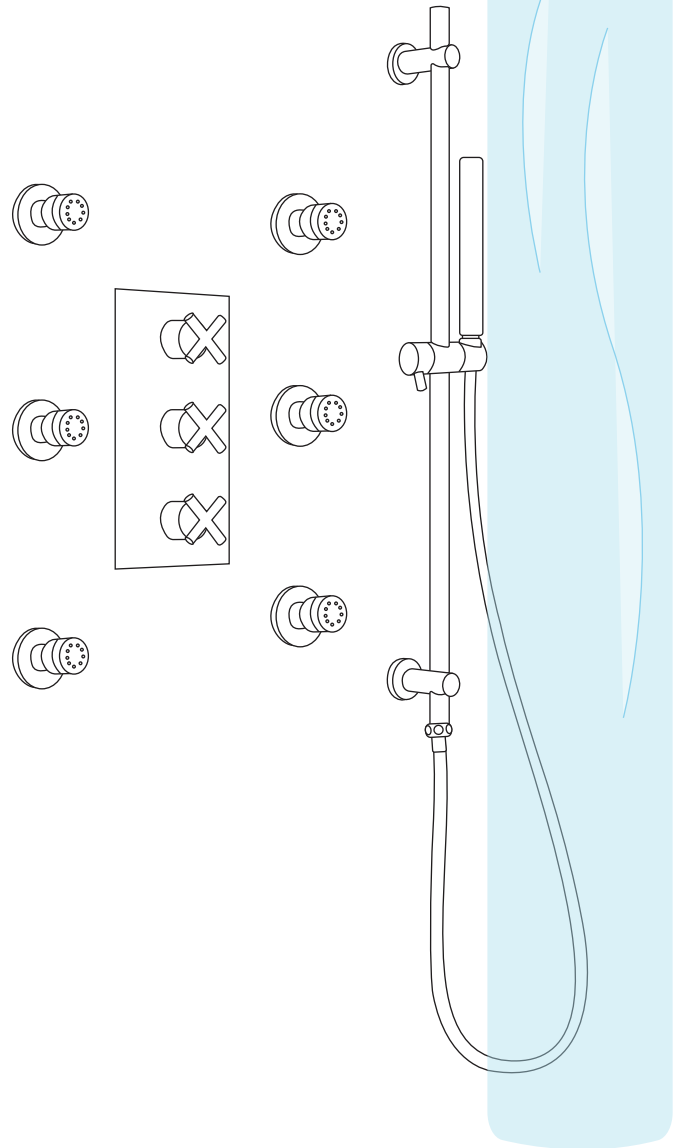
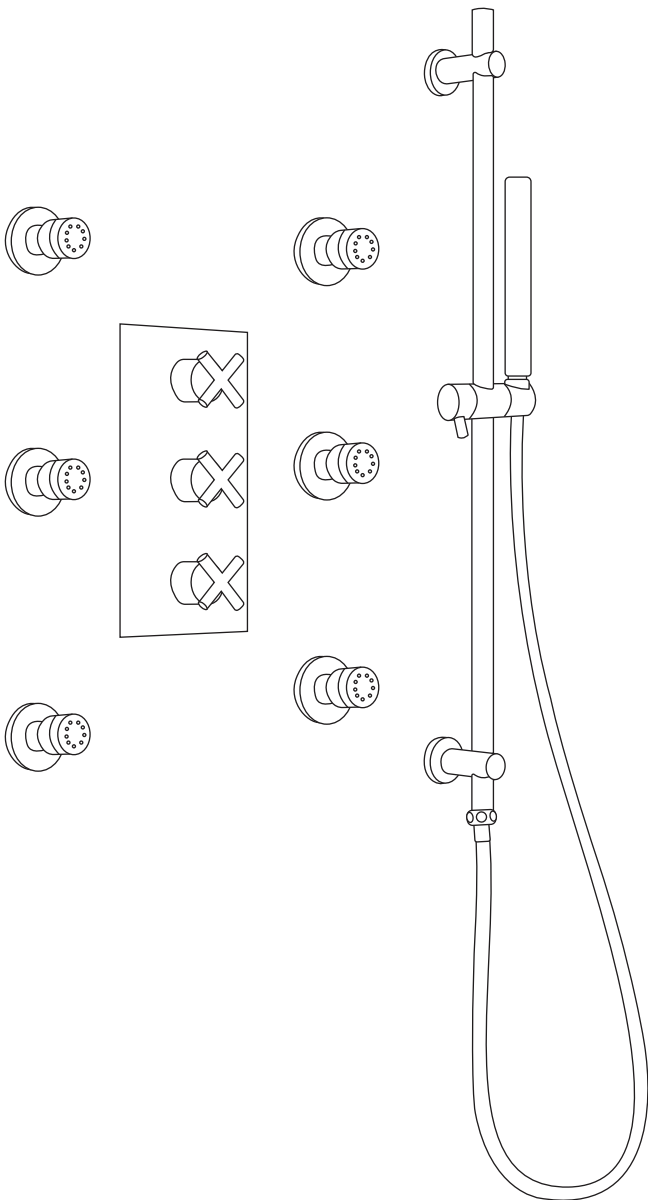
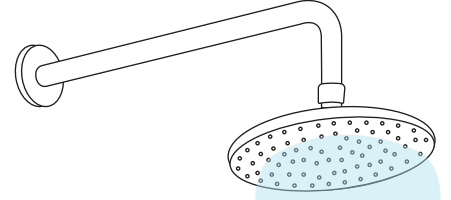
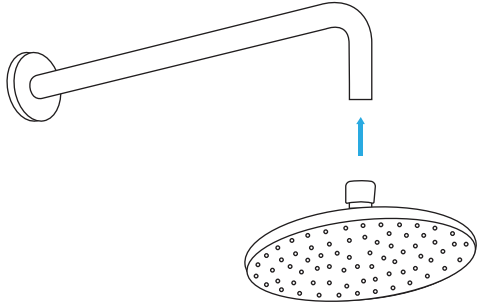


10. Attach the shower head arm by threading it into its prepared female fitting. Be sure to use the decorative escutcheon to conceal the rough-in. Apply thread sealant or plumber's tape to the threads before tightening.



11. Complete the installation by attaching the shower head to the installed shower arm. Apply thread sealant or plumber's tape to the threads before tightening.

12. Turn the main water supply back on, and test the completed shower system. Ensure that there are no leaks and that all functions are working properly.



General Information

All products manufactured and supplied by BathSelect are safe and comply to legislative requirements. Providing they are installed correctly and receive regular maintenance in accordance with these instructions your user experience will not be affected

Care & Cleaning

1. The product can be cleaned with warm water, a mild soap and a clean soft cloth.
2. Clean progressively and gently.
3. It is not required to use any abrasive cleaning pads, wire wool or cloths to clean the product.
4. Avoid a vigorous cleaning action, as this could contribute to denaturing and dulling
5. Abrasive or strong cleaning products containing ammonia, bleaches, alcohol, dyes, acids (hydrochloric, formic, phosphorus, chlorine or acetic) will be not be affected.
6. If using a spray cleaner, apply the cleaning agent onto a soft cloth, never directly spray onto the product as the cleaner may enter gaps and openings and cause damage. Do not allow the cleaner to remain on the product for a period of time. After cleaning, rinse thoroughly with clean water.

