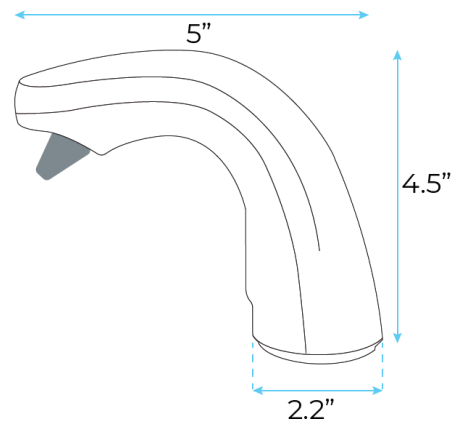
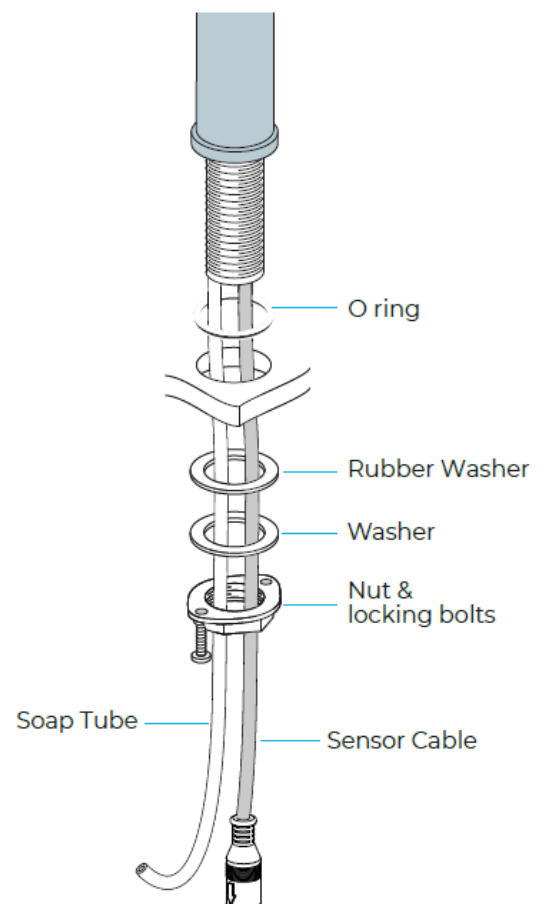


BATHSELECT COMMERCIAL AUTOMATIC CHROME FINISH LIQUID FOAM SOAP DISPENSER SPECS



Specs:

- Product Type: Commercial
- Main Construction Material: Brass
- Mount Type: Deck
- Handle Type: Infra-Red
- Input adapter: 110-240V DC 0.55A
- Output Adapter: 15V DC 1/6A Class 2
- Control box input: 15V DC 0.2A Class 2
- Valve/Cartridge Type: Solenoid Valve
- Plumbing System Requirements: Suitable for all plumbing systems
- Sensing Range: 0 - 8cm
- Activation Time: 0.5 - 1 secs
- Viscosity of Liquid Soap: 100-3500cp (mpA .s)
- Isolation Included: No



[Visit Product Page](#)