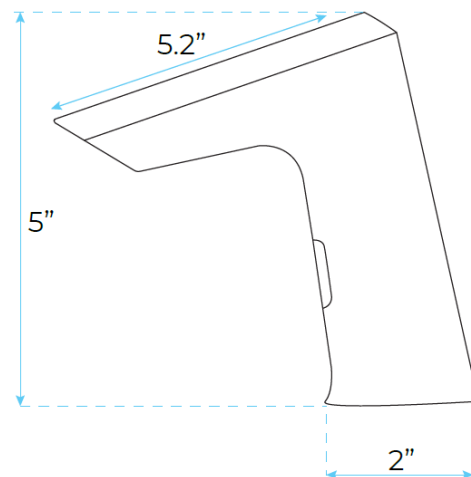
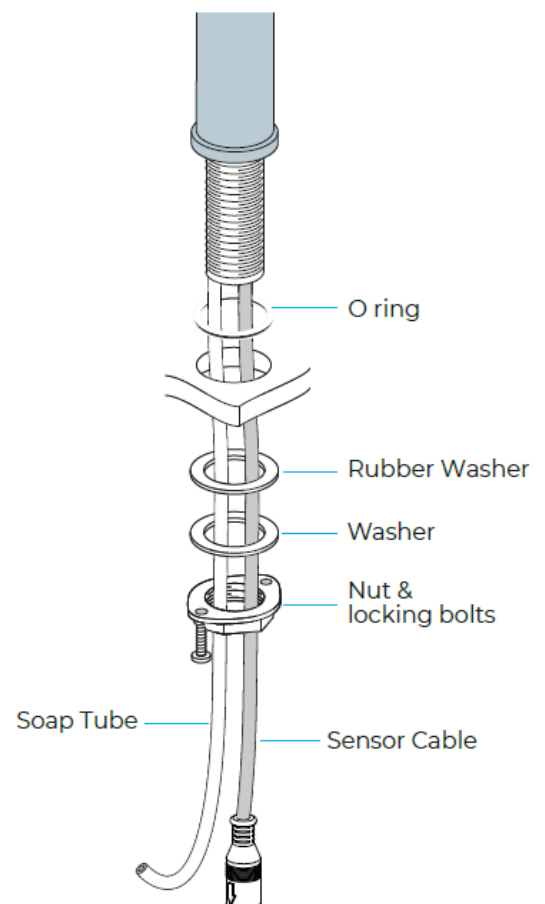


CANCUN CHROME FINISH COMMERCIAL MOTION SENSOR HIGH QUALITY SOAP DISPENSER SPECS



Specs:

- Modular one-piece construction is easy to install on a sink deck surface
- All electronics in spout are sealed
- Designed for drip free foam dispensing operation
- Battery life of 45,000 activations
- 4 "D" Alkaline batteries
- Optional AC adapter can be purchased separately
- Cannot convert battery powered faucet to electric
- 1,500 dispenses per foam soap bottle
- Sensor range – nominal 5"
- GFI outlet suggested per code
- 120V/15 Amp



[Visit Product Page](#)