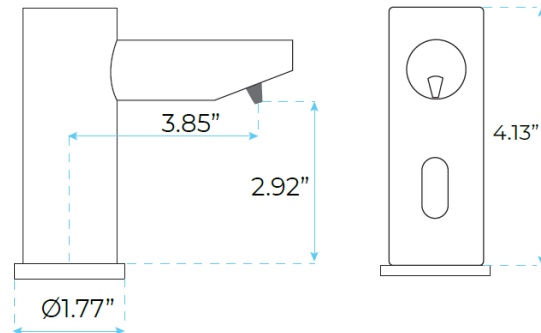
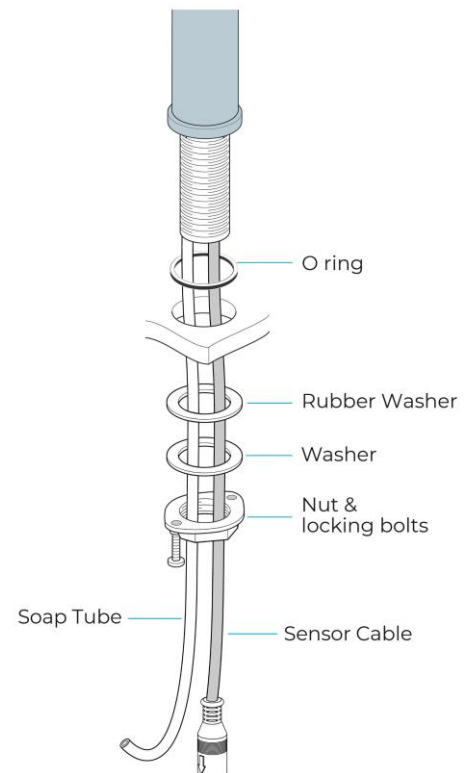


BATHSELECT MINIMALIST MODERN BRUSHED NICKEL SENSOR SOAP DISPENSER SPECS



Specs:

- Product Type: Commercial
- Main Construction Material: Brass
- Mount Type: Deck
- Handle Type: Infra-Red
- Power: 4 (D) Batteries / AC Adapter Optional
- Soap Pump: 6 Volt Noise-Free PERISTALTIC Pump System
- Number of Tap Holes: 1
- Valve/Cartridge Type: Solenoid Valve
- Sensing Range: Adjustable with optional remote control
- Working Soap: Standard liquid Soap
- Soap Bottle Capacity: 800ML
- Viscosity of Liquid Soap: 0.5ML to 1.5ML, adjustable



[Visit Product Page](#)