

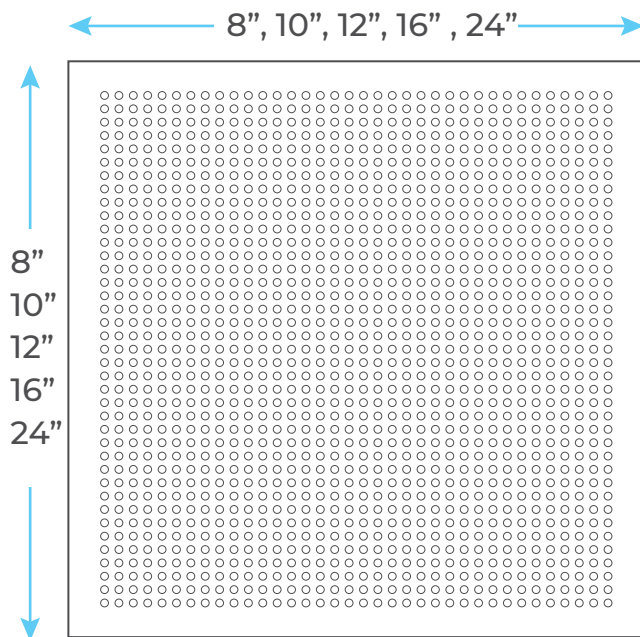
# THERMOSTATIC 3 OUTLET SHOWER SYSTEM SET WITH 12" SQUARE HEAD & 6 JETS SPECS



## Specifications

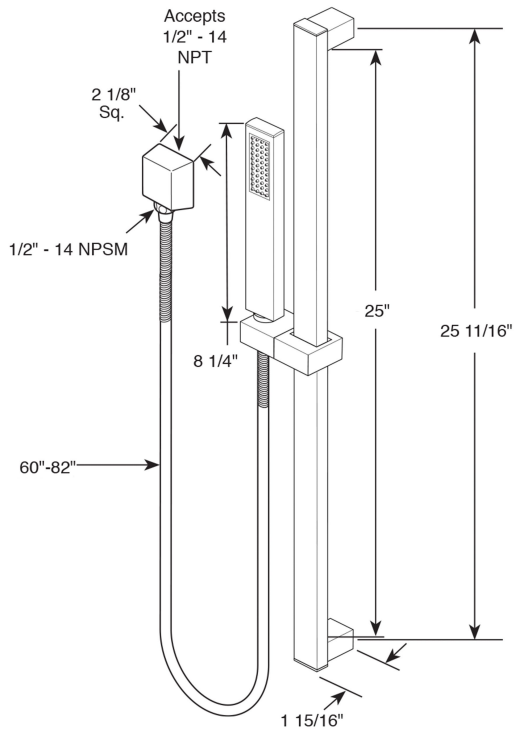
- Serviceable check valves and strainers
- Ceramic Disc Technology
- Built-in diverter
- Pre-set maximum temperature 104°F
- Automatic anti scald device
- Recommended pressure for best performance 2 to 75 psi
- ½" NPT Inlets and Outlets Compatible with standard US plumbing connections

## Shower Head Size:



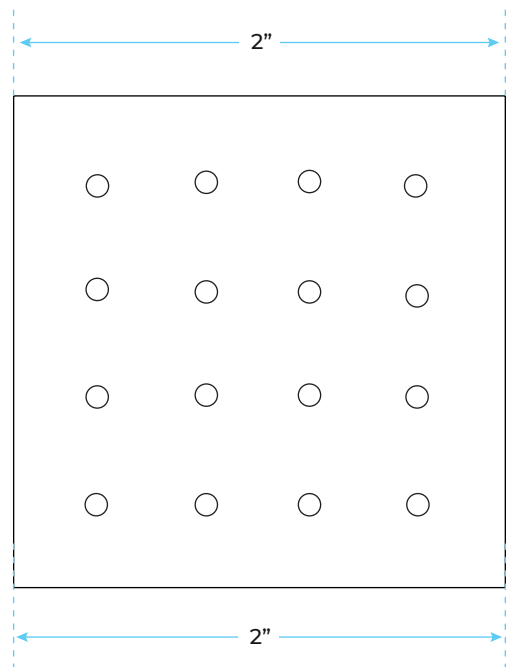
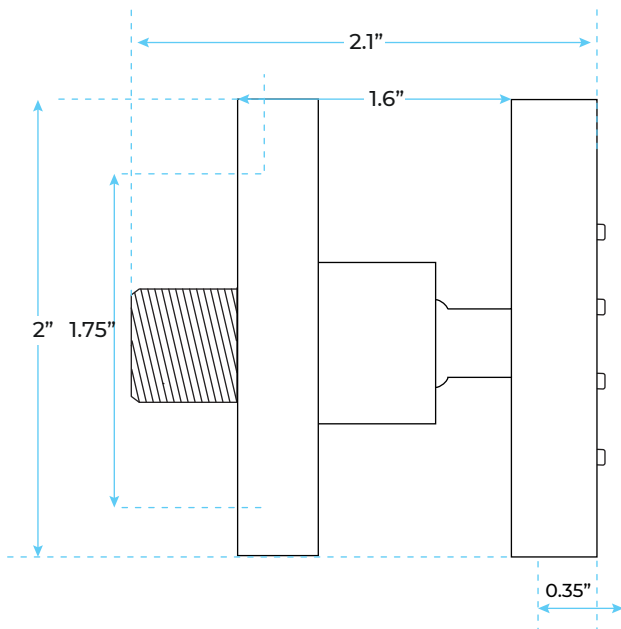
Flow Rate  
2.5 GPM / 9.5 LPM (rain Shower);

### Hand Shower Size:

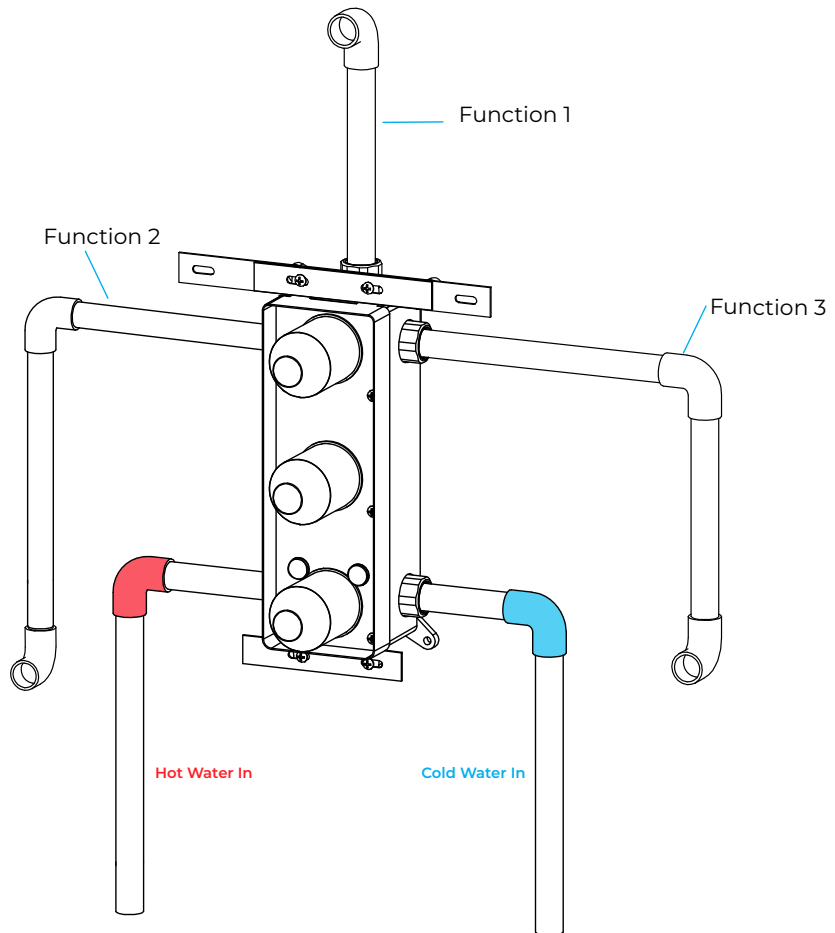
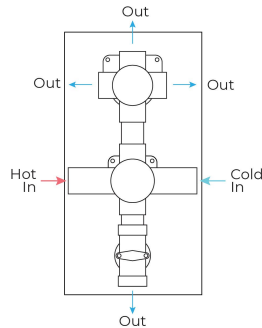
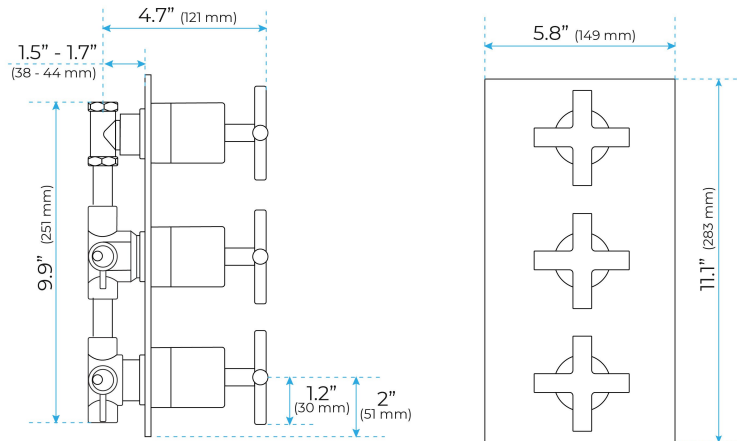


The minimum required water pressure is 0.05 MPa (0.5 bar).  
Flow rate 2.5 GPM (9.5 LPM).

### Body Jet Size :



**Mixer Connection:**



- Hot water
- Cold water