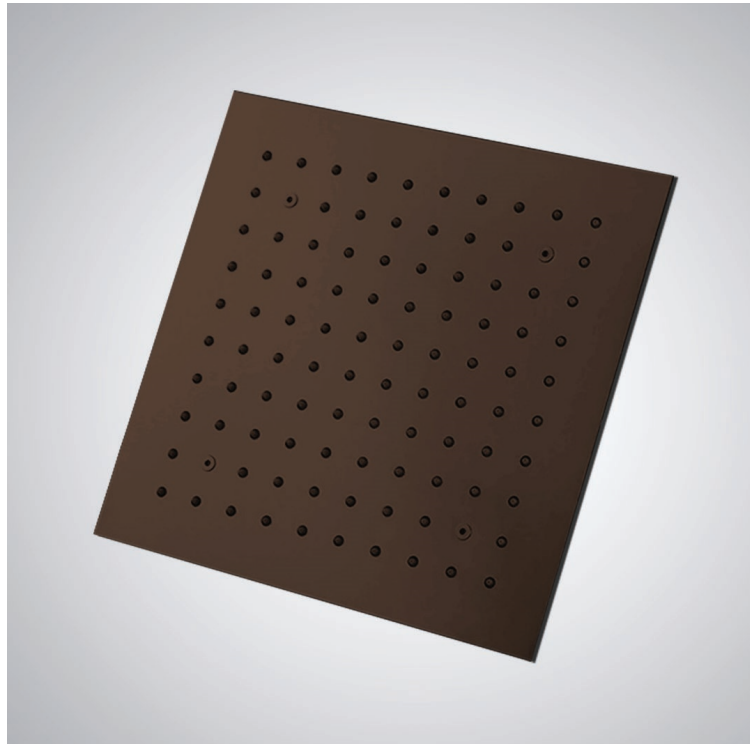


TROPICAL 20" BY 20" RECESSED STAINLESS STEEL COLOR CHANGING LED RAIN SHOWER HEAD LIGHT OIL RUBBED BRONZE INSTALLATION INSTRUCTIONS



BEFORE YOU BEGIN

Before you begin, please read the installation instructions below. Observe all local building and safety codes.

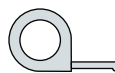
Unpack and inspect the items for any shipping damages. If you find damages, do not install.

Please note all products must be installed by a professional and certified plumber otherwise warranty might be voided.

POSSIBLE TOOLS REQUIRED*



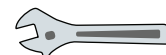
Plumbers Tape



Tape Measure



Level



Adjustable Wrench



Hex Wrench



Thread Sealant



Drill



Pencil or Marker

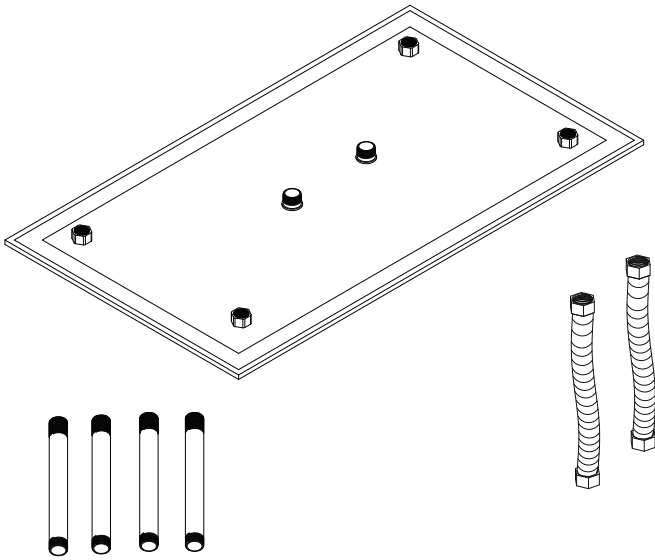


Screwdriver

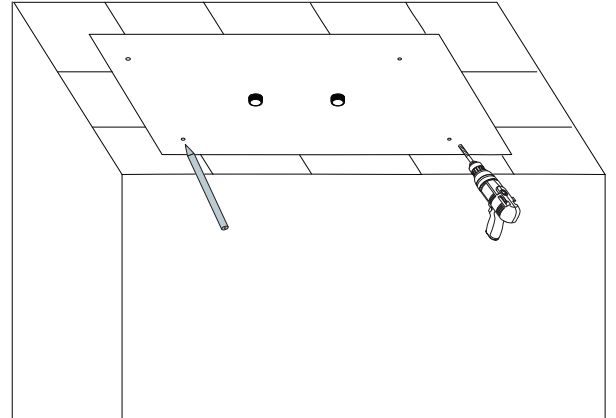
*not included

Shower Head Installations Instruction

Parts:

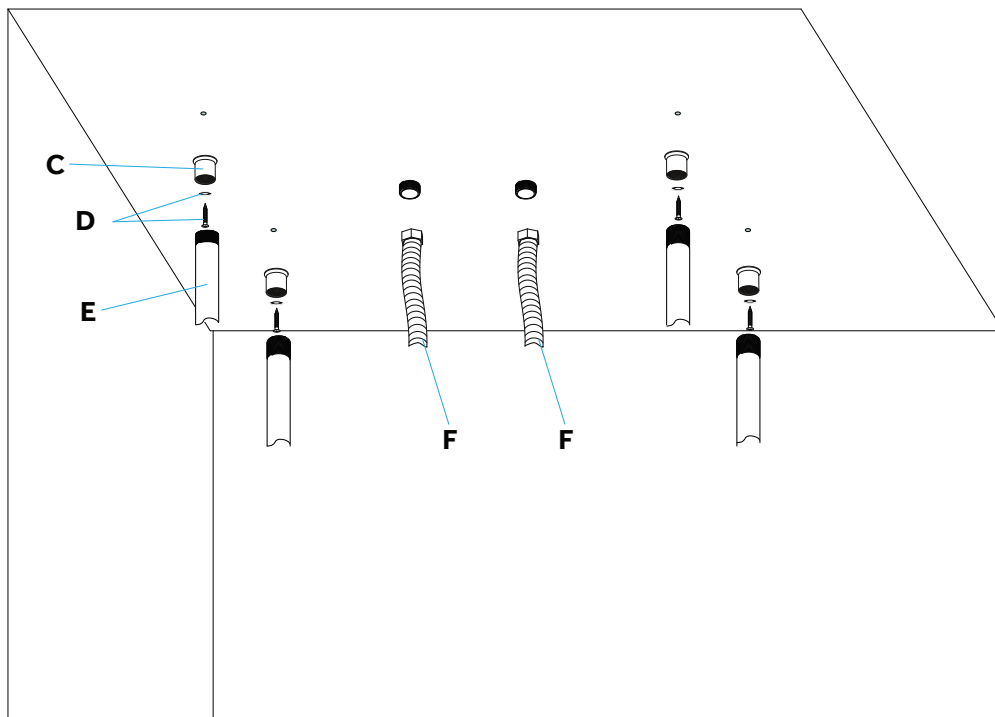


Step 1:



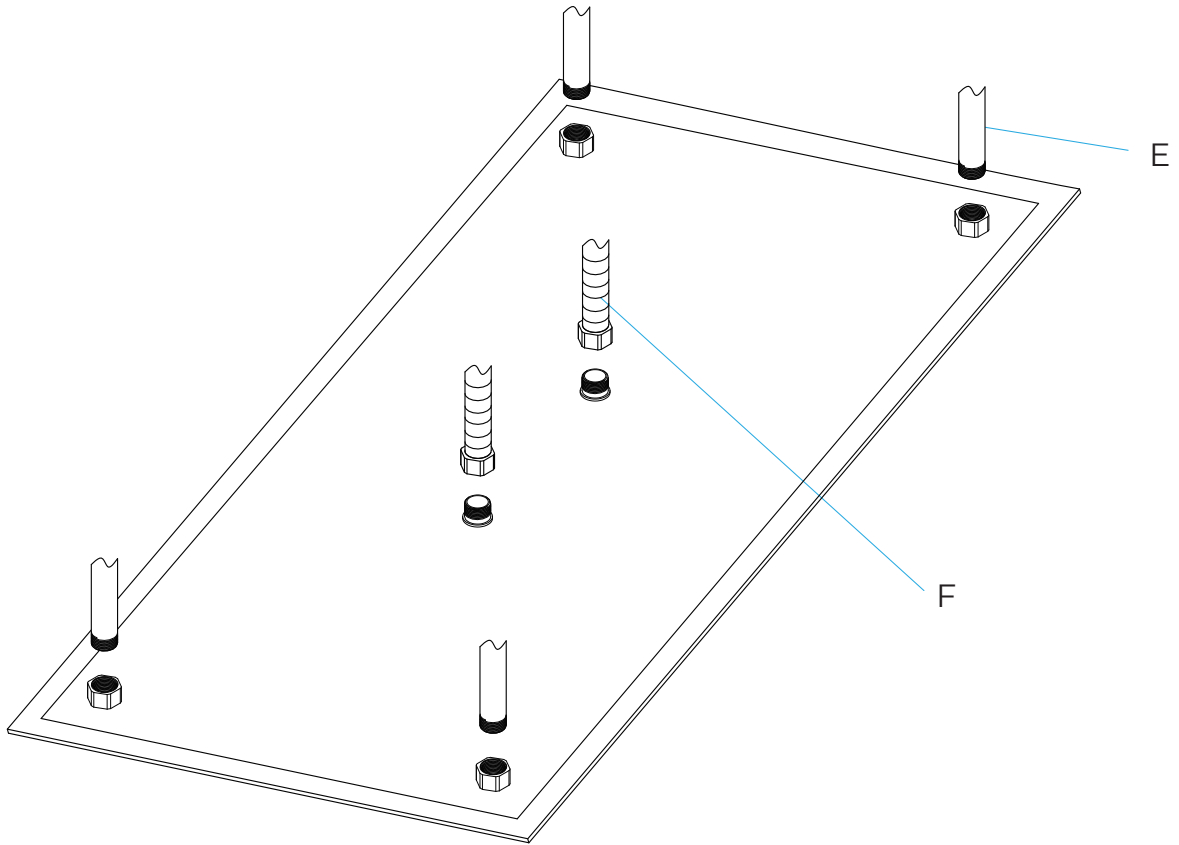
Mark the 4 drilling positions then use the $\text{Ø}6\text{mm}$ drill to drill holes on the wall according to the marked hole position.

Step 3:



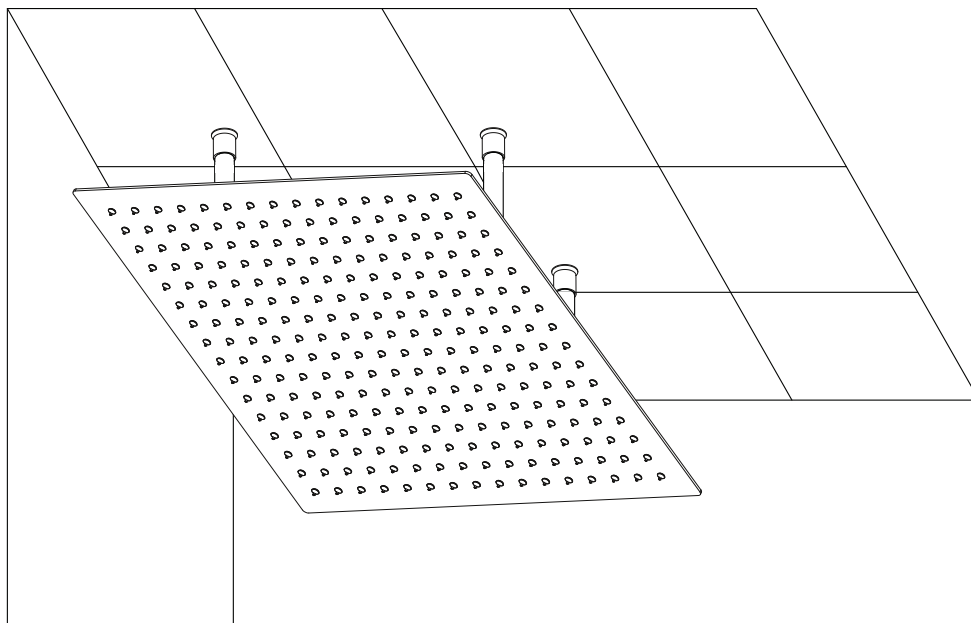
Inset the plug (D2) into the hole, hold the fix base (C) use the tapping screw (D1) through fix base (C) holes, tighten the tapping screw (D1) tighten the top shower fixed bar (E) and the inlet hose (F) with the fix base (C)

Step 5:



Fixed the top shower with the top shower fixed bar (E) , then connect with the inlet hose (F) . 2 inlets are provided in big shower heads so the water disperses equally throughout the showerhead.

Step 6:



The installation is completed.

Note: The LED lights are powered by water flow, and will be activated once the water is turned on.