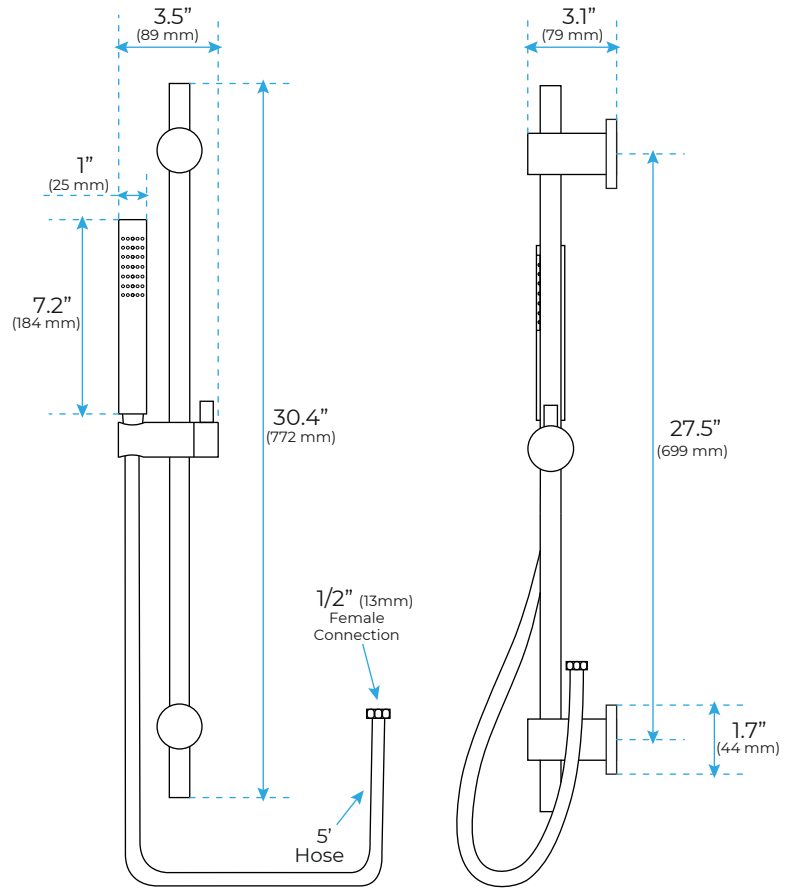


BRUSHED GOLD LIMA-THERMOSTATIC-SHOWER-SYSTEM WITH CONCEALED MIXER SPECIFICATIONS

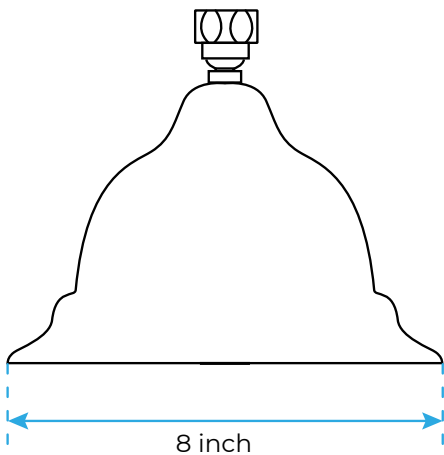


Hand Shower



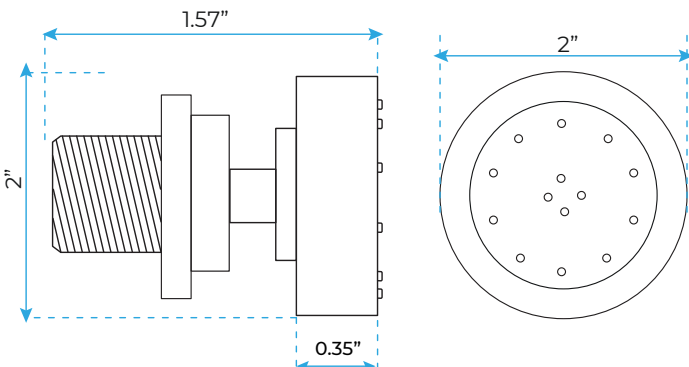
Flow Rate: 2.0 GPM / 7.6 LPM

Shower Head



Flow Rate: 3.5 GPM (13.2 L/min)

Body Jets



Thread Interface Size: G1/2 Inch
 Function: Rainfall
 Type: Fixed Rotatable Type
 Installation Type: Wall Mounted
 Size: 50* 50 mm (2 inch)
 Material: Brass
 Feature: Can rotate 360 degrees
 Flow Rate: 1.5 GPM / 5.7 LPM (each Bodyspray)

All dimensions and specifications are nominal and may vary. Use actual products for accuracy in critical situations.