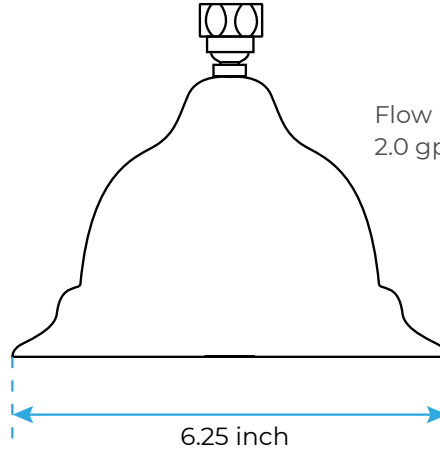


LIMA-THERMOSTATIC-SHOWER-SYSTEM WITH CONCEALED MIXER SPECIFICATIONS

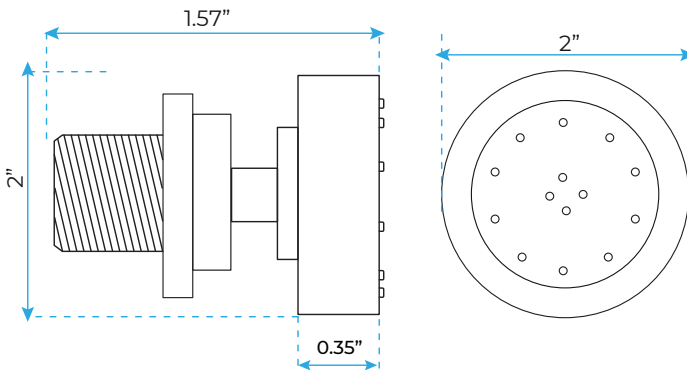


Shower Head



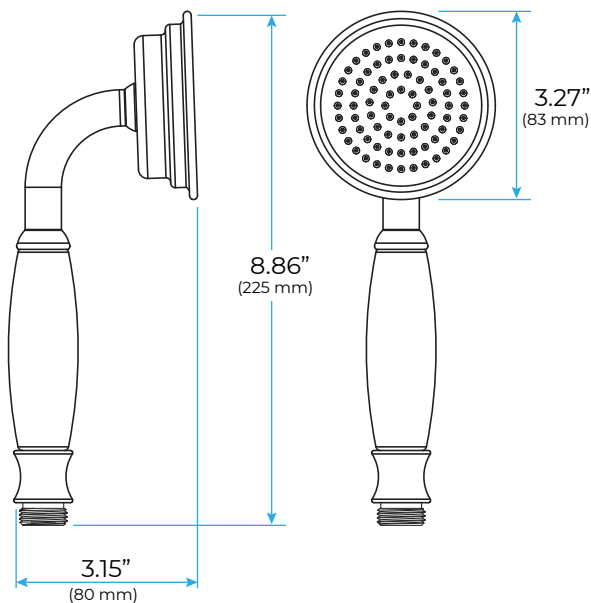
Flow Rate:
2.0 gpm (7.6 l/min) @ 80 psi

Body Jets



Thread Interface Size: G1/2 Inch
Function: Rainfall
Type: Fixed Rotatable Type
Installation Type: Wall Mounted
Size: 50* 50 mm (2 inch)
Material: Brass
Feature: Can rotate 360 degrees
Flow Rate: 1.5 GPM / 5.7 LPM (each Bodyspray)

Hand Shower



Mixer Connections

