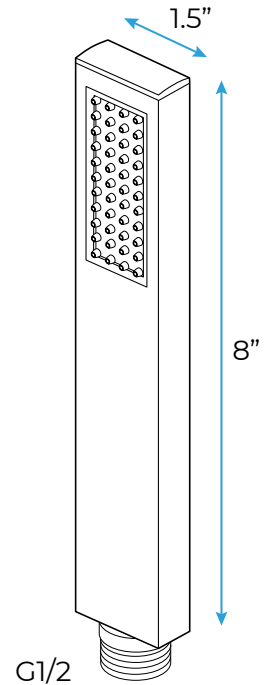


# PRELUDE CONTEMPORARY RECTANGULAR SHOWER HEAD SET SPECIFICATIONS



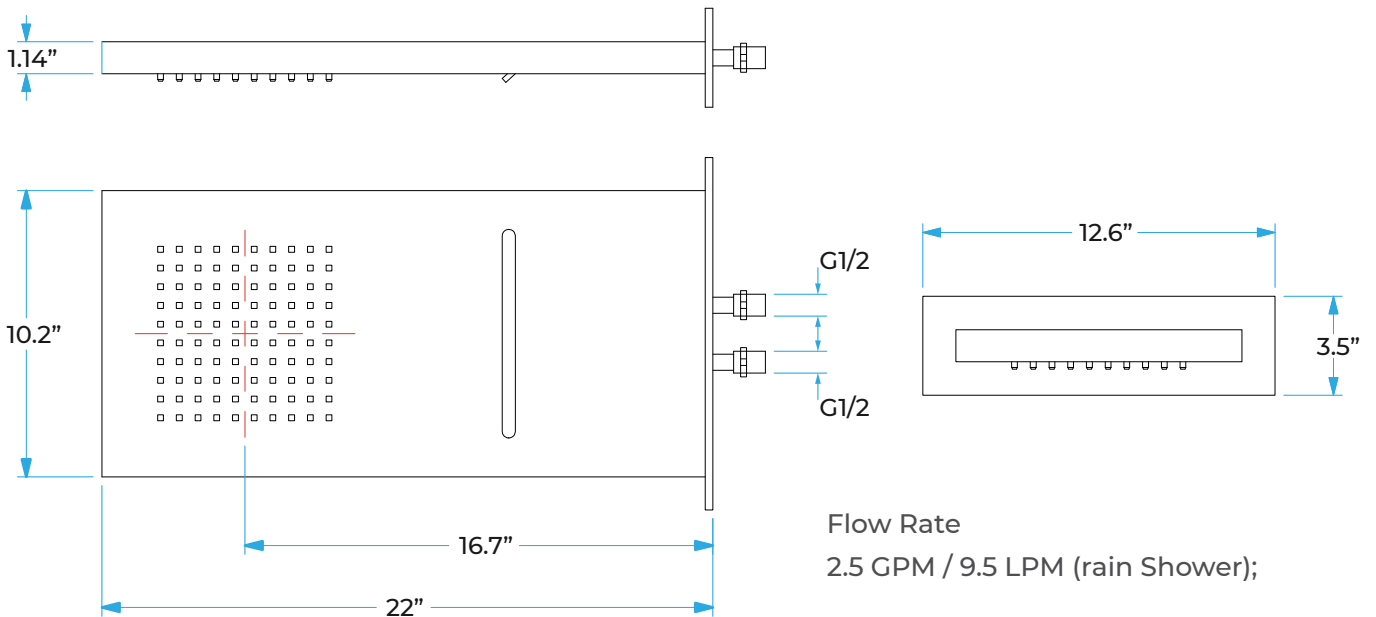
**Hand Shower**



Flow Rate: 2.0 GPM / 7.6 LPM

- Flow Rate 3.5 GPM (13.2 L/min)
- Cold and Hot Switch Yes
- Valve Type Brass Valve
- Rain Shower Material Stainless Steel
- Faucet Handle Material Zinc Alloy
- Handshower Material Brass
- Faucet Body Material Brass

**Shower Head**



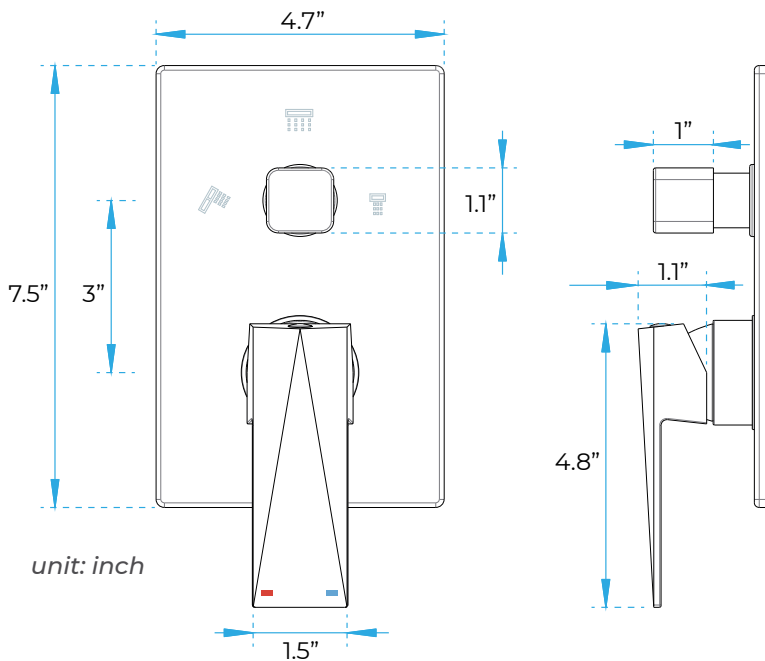
Flow Rate  
2.5 GPM / 9.5 LPM (rain Shower);

All dimensions and specifications are nominal and may vary. Use actual products for accuracy in critical situations.

## Shower Mixer

This technical product information is exclusively for the installer or trained specialists.

Application: Operation with unpressurized storage heaters is not possible. Use for indoor public places and common residence.



### Specifications

Flow pressure: min. 0.5 bar  
recommended 1 – 5 bar

Operating pressure: max. 10 bar

Test pressure: 16 bar

Flow rate at 3 bar flow pressure

for bath:  $\geq 19.8$  L/min

for shower:  $\geq 12$  L/min

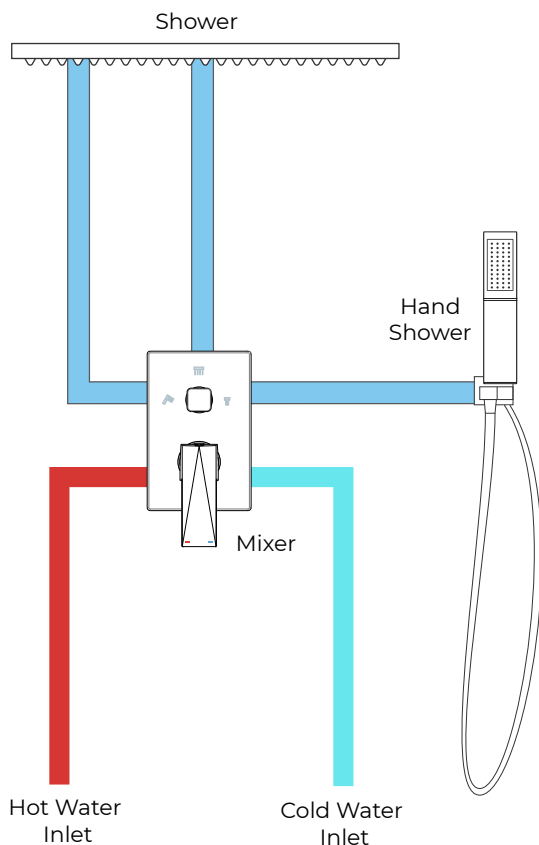
Hot water inlet temperature: max. 80°C

Recommended (energy saving): 60°C

Environment temperature: 5°C~45°C

If static pressure exceeds 5 bar, a pressure-reducing valve must be fitted.  
Avoid major pressure differences between hot and cold water supply.

## Shower Mixer Connections



#### Installation:

Flush piping system prior and after installation of fitting thoroughly!

Fitting a temperature limiter is possible.



#### Function:

Check connections for leaks and check function of fitting.

Flow is diverted automatically from shower outlet to bath inlet when the fitting is closed.



#### Maintenance:

Inspect and clean all components and replace if necessary.

Shut off water supply for maintenance work.



When installing the cartridge, ensure that the seals are correctly seated.

Tighten the screws evenly and alternately.