

# BRAVAT BRUSHED GOLD 2-WAY SHOWER MIXER CONTROL VALVE INSTALLATION INSTRUCTIONS



## BEFORE YOU BEGIN

Before you begin, please read the installation instructions below. Observe all local building and safety codes.

Unpack and inspect the items for any shipping damages. If you find damages, do not install.

Please note all products must be installed by a professional and certified plumber otherwise warranty might be voided.

## POSSIBLE TOOLS REQUIRED\*



Plumbers Tape



Tape Measure



Level



Adjustable Wrench



Hex Wrench



Thread Sealant



Drill



Pencil or Marker

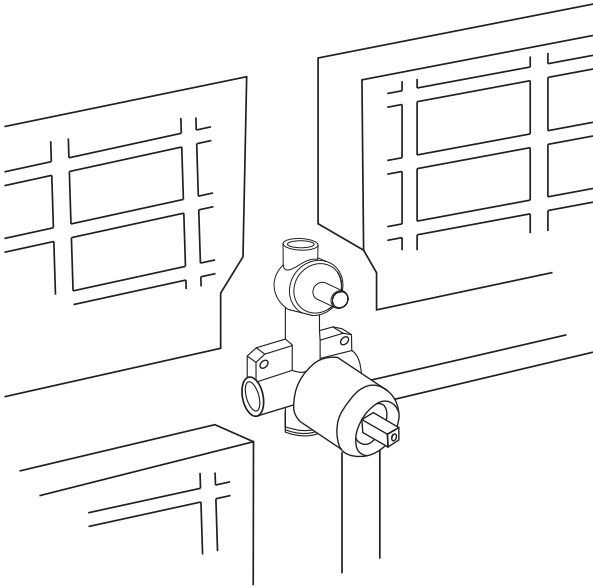


Screwdriver

\*not included

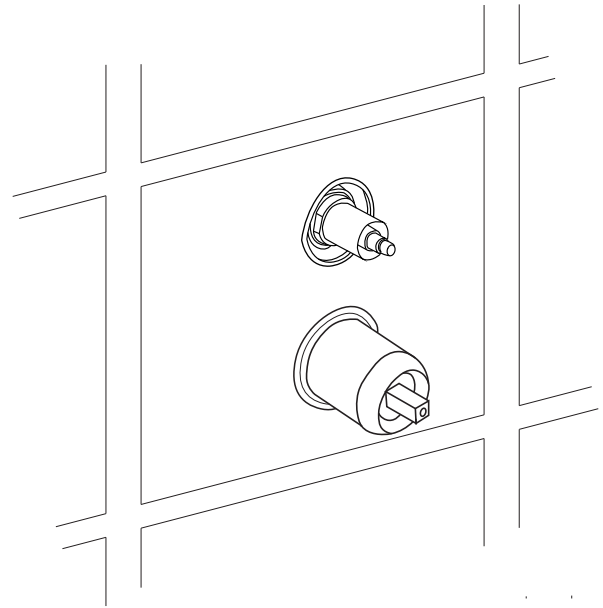
## Mixer Installation Instructions

### Step 1:



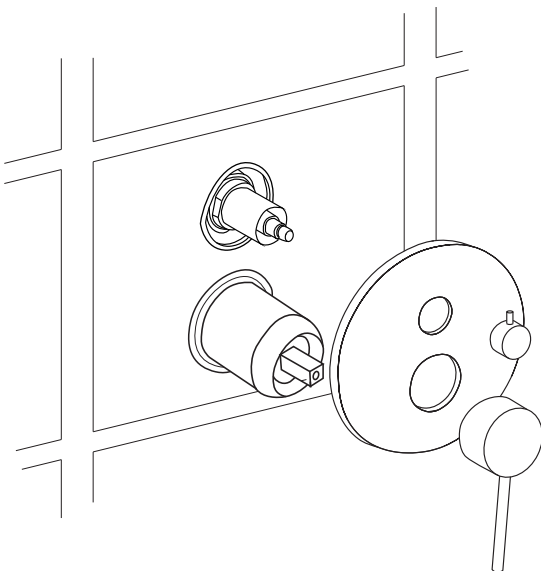
1) Fix the shower valve into the wall with screws. Use a level to ensure that the valve is straight and level. (Important: Flush the water supply pipes to remove any dirt and debris before installing the valve body)

### Step 2:



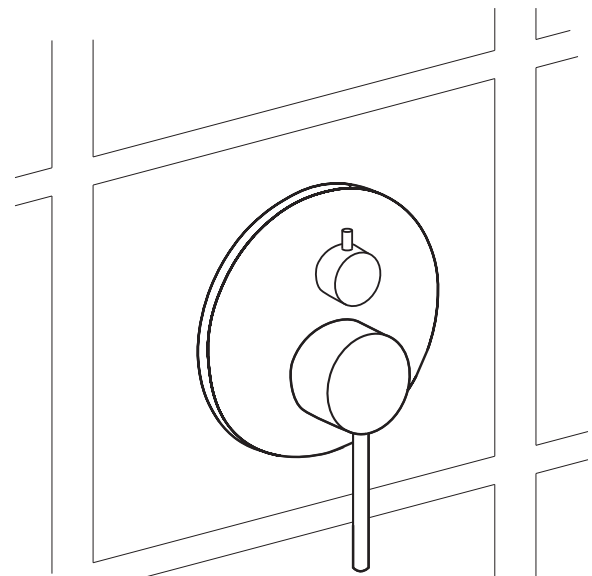
2) Wrap Teflon tape around the pipe thread. Connect hot and cold water supply lines and all the in-wall pipes (not included) as desired to the valve. Turn on the water supply and open the cartridge to check for leaks. Then, put on the protective cover.

### Step 3:



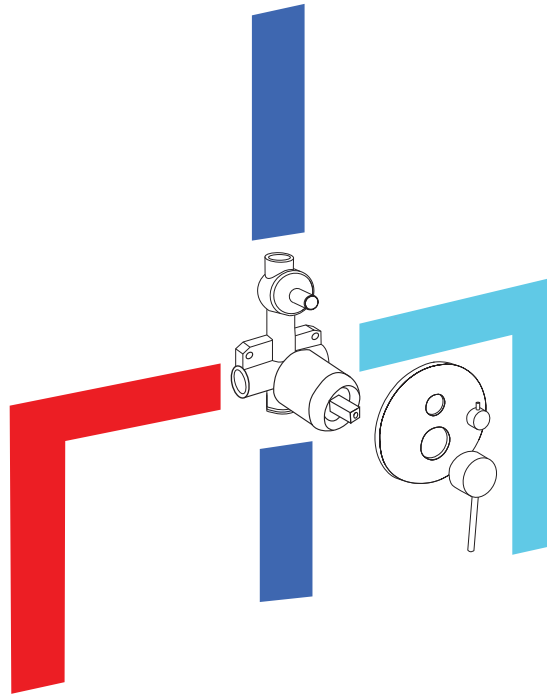
3) Remove the protective cover when the wall finished wall is completed. Install escutcheon onto the shower valve and press it against the finished wall. Then, install the handle and diverter knob to the valve and tighten set screws with the Allen key and put on the indication button.

### Step 4:



**Function:** Check connections for leaks and check function of fitting. Flow is diverted automatically from shower outlet to bath inlet when the fitting is closed.

Mixer Installation Instructions



Wall Mount View

