

OHIO FREESTANDING PEDESTAL CYLINDER CERAMIC WASH BATHROOM SINK WITH FAUCET IN GOLD FINISH INSTALLATION INSTRUCTIONS



BEFORE YOU BEGIN

Before you begin, please read the installation instructions below. Observe all local building and safety codes.

Unpack and inspect the items for any shipping damages. If you find damages, do not install.

Please note all products must be installed by a professional and certified plumber otherwise warranty might be voided.

POSSIBLE TOOLS REQUIRED*



Plumbers Tape



Tape Measure



Level



Adjustable Wrench



Hex Wrench



Thread Sealant



Drill



Pencil or Marker



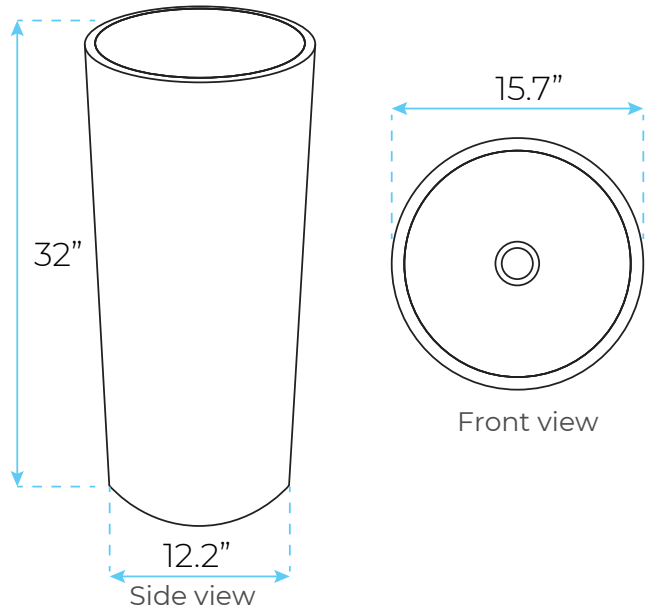
Screwdriver

*not included

Features:

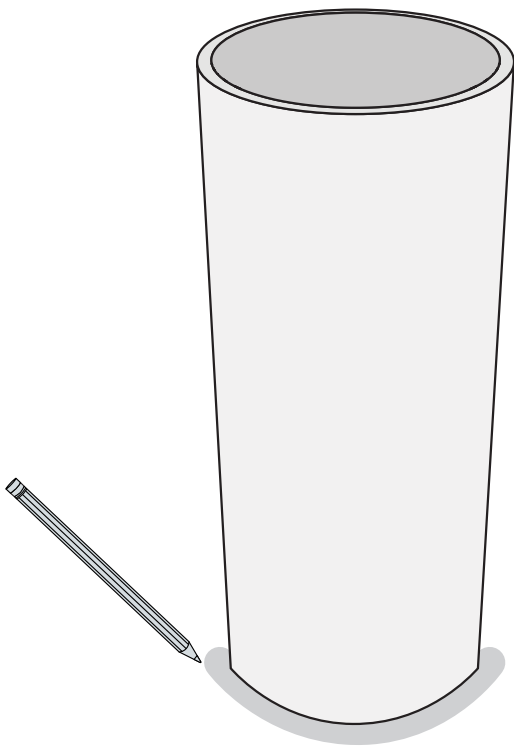
- Sink shape: Round
- Type: Wash sink pedestal
- Color: Gold Finish
- Can be customized: Yes
- No fade: Yes
- Material: Ceramic/Porcelain
- Capacity: 12L
- Top tap: One hole
- Height: 32in [82cm]
- Sink width: 15in [40cm]
- Bottom width: 12in [31cm]
- Model Number: BS9991

Size

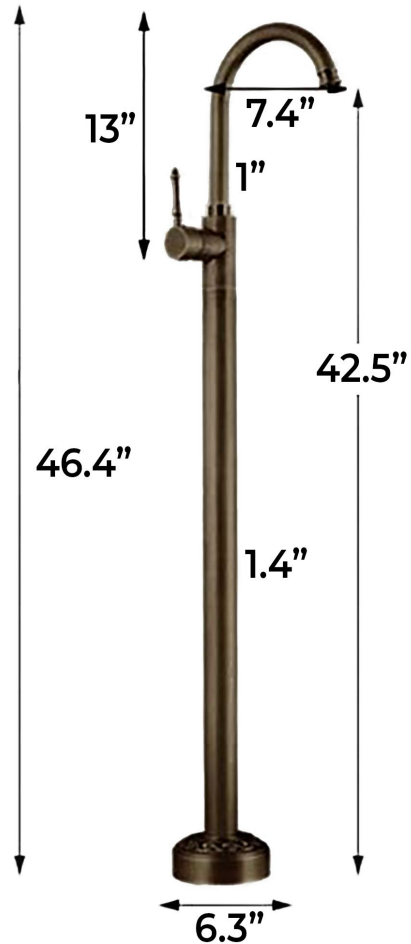


1. Verify Sink Location

Using a pencil mark the location where you want the sink to be onto the floor.



Size

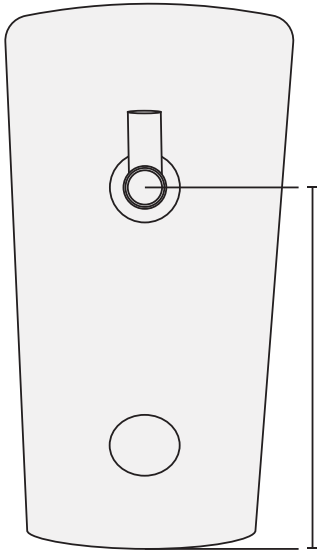


All dimensions and specifications are nominal and may vary. Use actual products for accuracy in critical situations.

2. Connect Pipes

Install waste and overflow into sink basin. Screw plumbing pipes into basin.

NOTE: Plumbing not included.
1 1/2" Discharge pipe location varies between models and may need to be re-plumbed before installation.

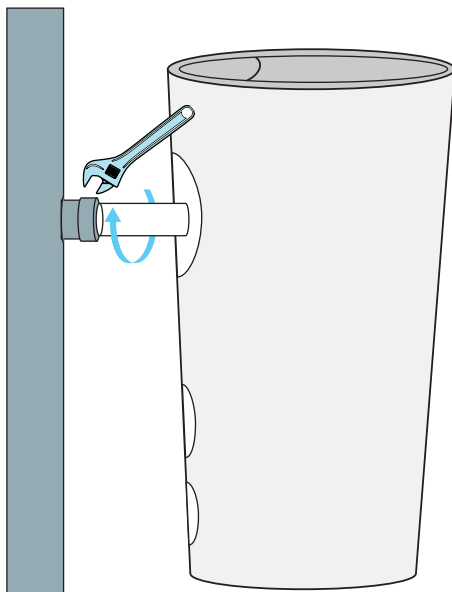


3. Connecting Plumbing

We recommend installing the faucet (not included) of your choice while back of sink is accessible.

- Align pipes in basin to plumbing in wall.
- Tighten into place, with clockwise motion.

NOTE: Water shutoff valve should be slightly above the 1 1/2" drain line coming out of the wall.



4. Dry Fit Sink

· Dry fit pedestal sink before final installation. Once you are ready for

final installation, move on to step 5 below.

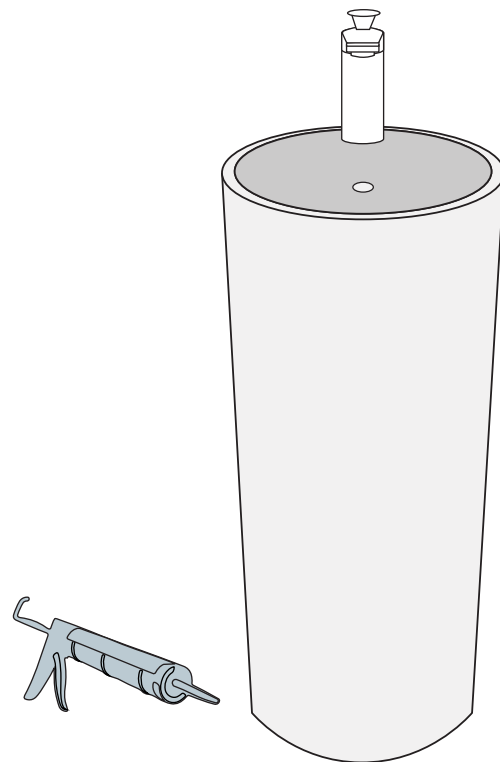
5. Seal Sink - 2 People Required

· Person 1- Slightly tilts sink back, so basin just barely lifts off ground.

Person 2- Apply construction adhesive underneath the sink.

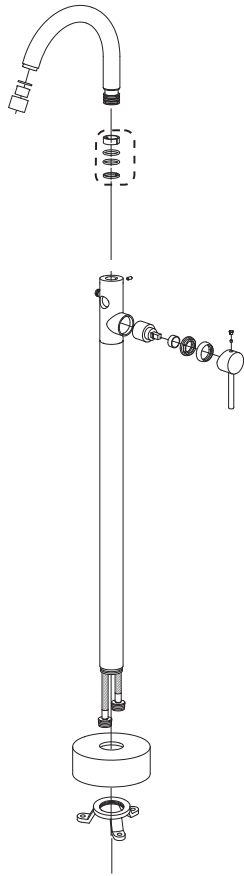
- Gently lower basin back to standing position.
- Caulk the sink to the floor with silicone or sealant of your choice.

NOTE: Do not use sink until 24 hours after sealing.

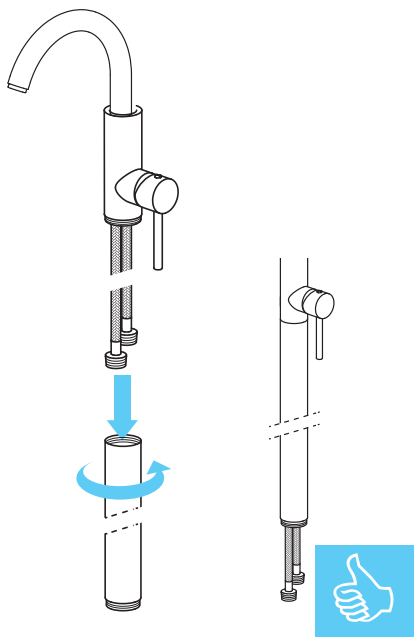


3. Freestanding faucet installation

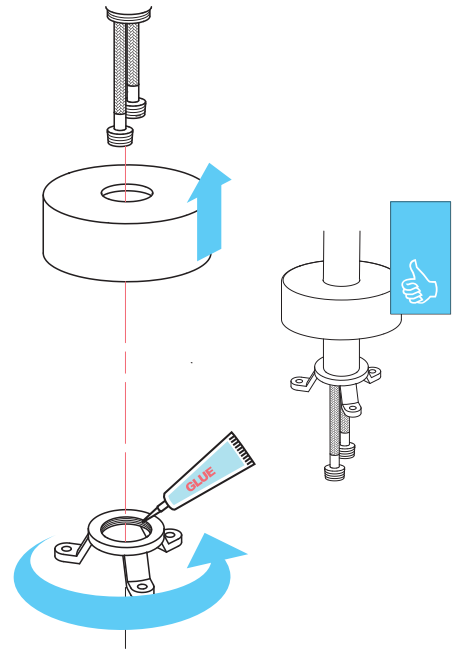
1.



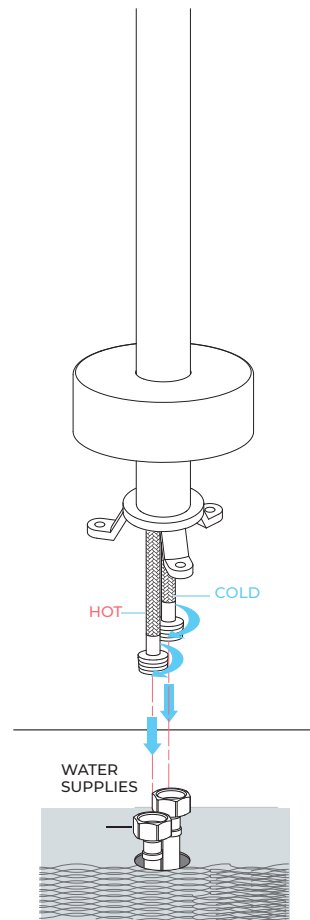
2.



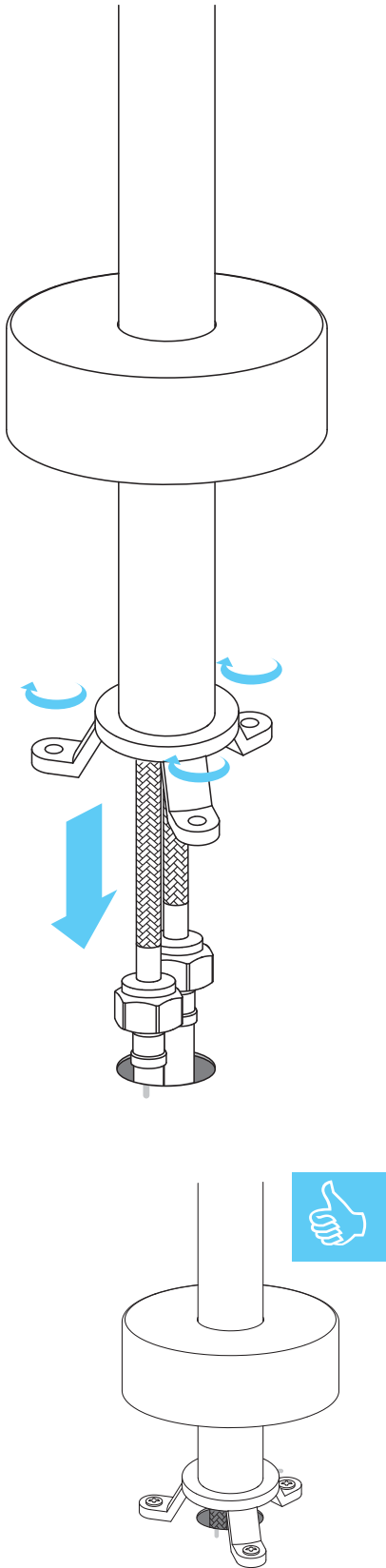
3.



4.



5.



6.

