

BATHSELECT ROUND SHAPED DECK MOUNT CERAMIC SINK IN BRUSHED GOLD AND WHITE FINISH INSTALLATION INSTRUCTIONS



PRIOR TO INSTALLATION

Please read installation instructions below. All plumbing should be installed in accordance with applicable building codes and regulations.

Unpack and inspect the items for any shipping damages. If you find damages, do not install.

All products must be installed by a professional and certified plumber otherwise warranty may be voided.

POSSIBLE TOOLS REQUIRED*



Plumbers Tape



Tape Measure



Level



Adjustable Wrench



Hex Wrench



Thread Sealant



Drill



Pencil or Marker



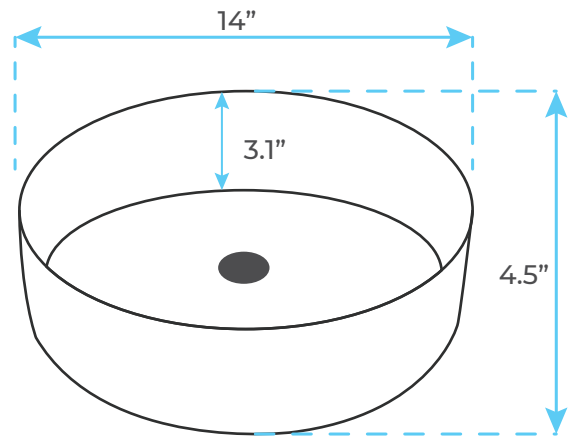
Screwdriver

*not included

Technical Information

Capacity: 12L
Basin Shape: Round
Material: Ceramic
Type: Countertop Sinks
Processing: Mosaic Gold
Special Application: Shampoo Sinks

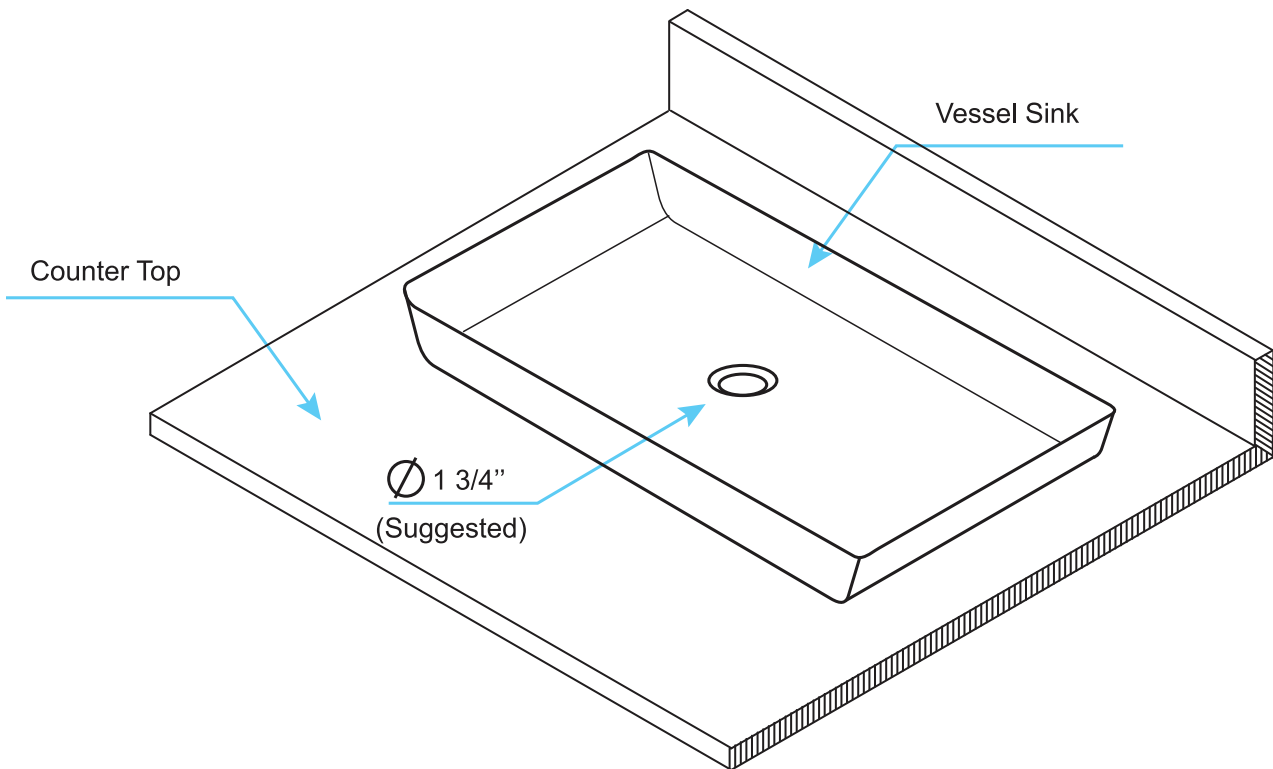
Size (In inches)



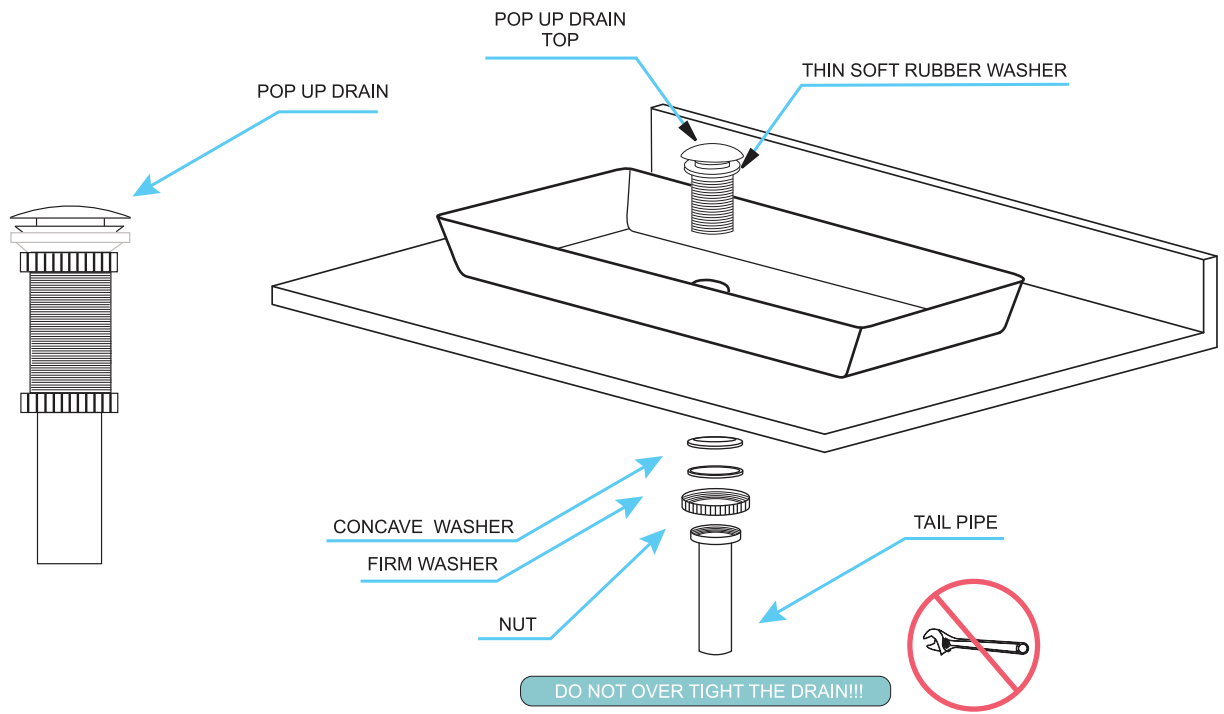
Installation Instructions

Prepare counter top by drilling a 1^{3/4}" diameter drain hole at the desired location.
Place the vessel sink on the counter top as shown below.

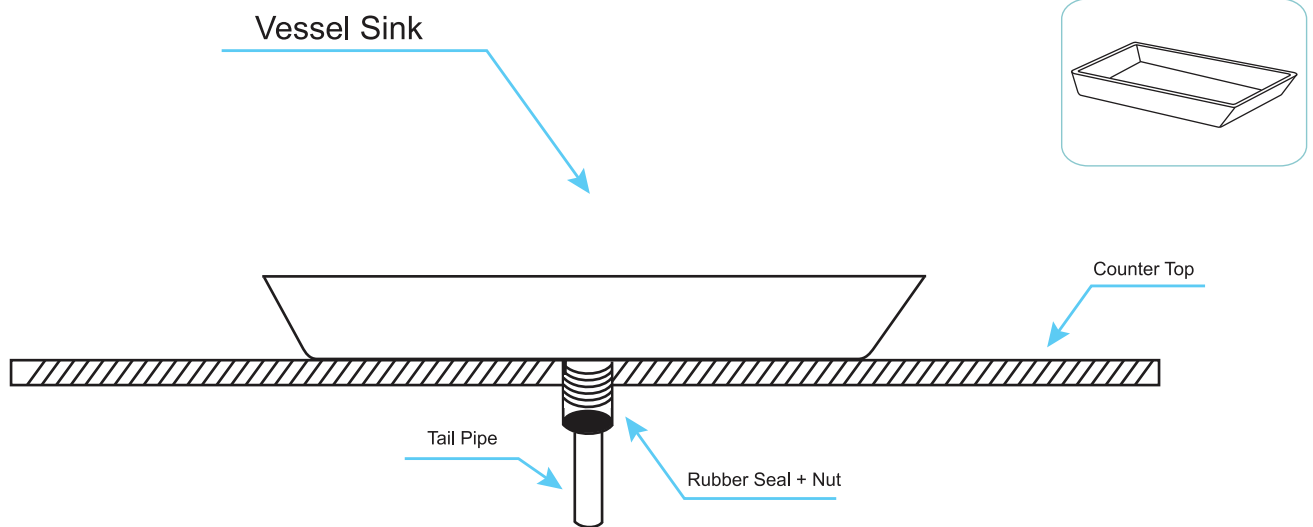
Step: 1



Step: 2

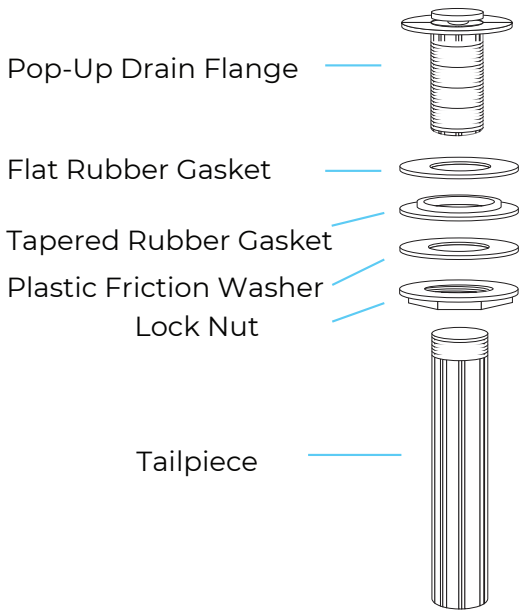


Step: 3

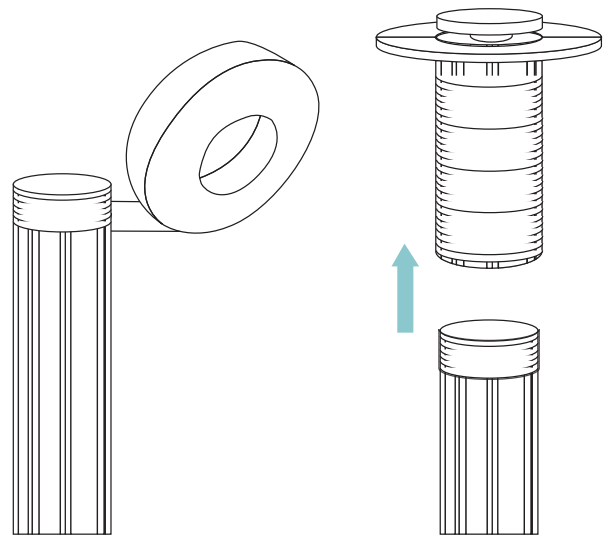


Drain Installation Instruction:

Step 1: (Parts)



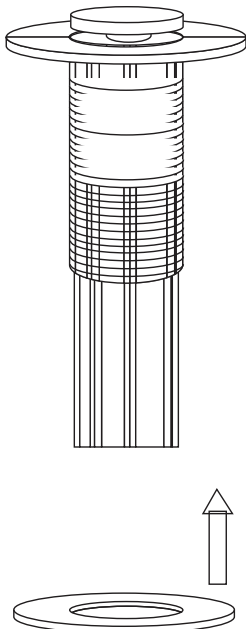
Step 2:



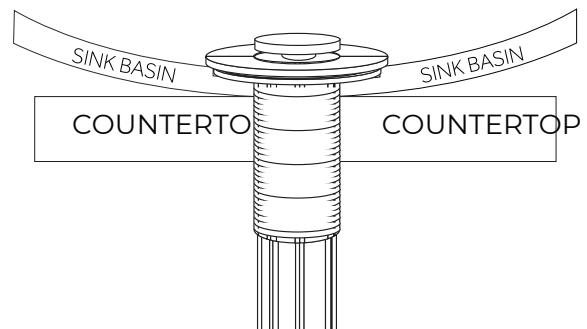
1. Disassemble the drain assembly and lay the parts aside, in the same order they were removed. See the illustration below as a reference if needed.

2. Apply plumber's tape to the threading on the tailpiece, then reattach the tail piece to the pop-up drain flange.

Step 3:



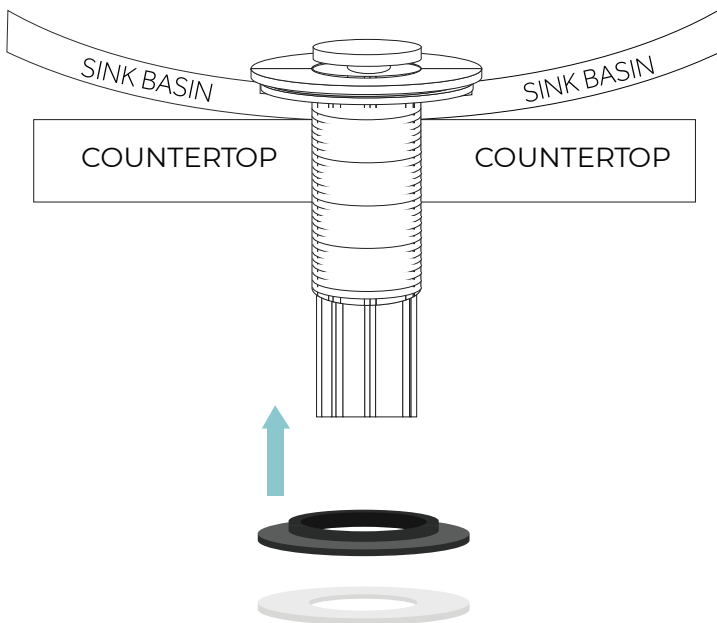
Step 4:



3. Slide the flat rubber gasket up the tailpiece until it meets the lip of the pop-up drain flange.

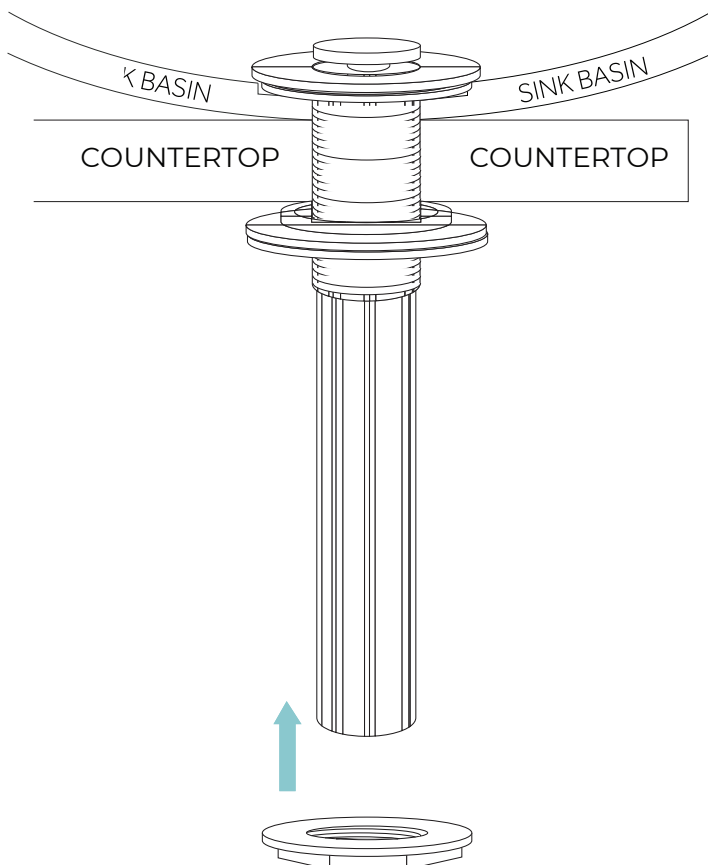
4. Insert the drain flange and tailpiece through the top of your sink's drain hole.

Step 5:



5. From under your counter, slide the tapered rubber gasket followed by the plastic friction washer onto the tailpiece until they meet your sink or countertop. Be sure that the tapered side of the rubber washer is facing up.

Step 6:



6. Thread the lock nut onto the drain flange. Hand tighten until secure, then finish tightening with a basin wrench once the drain is properly aligned.

Important: Be careful not to overtighten, which could crack a porcelain sink or stone countertop.