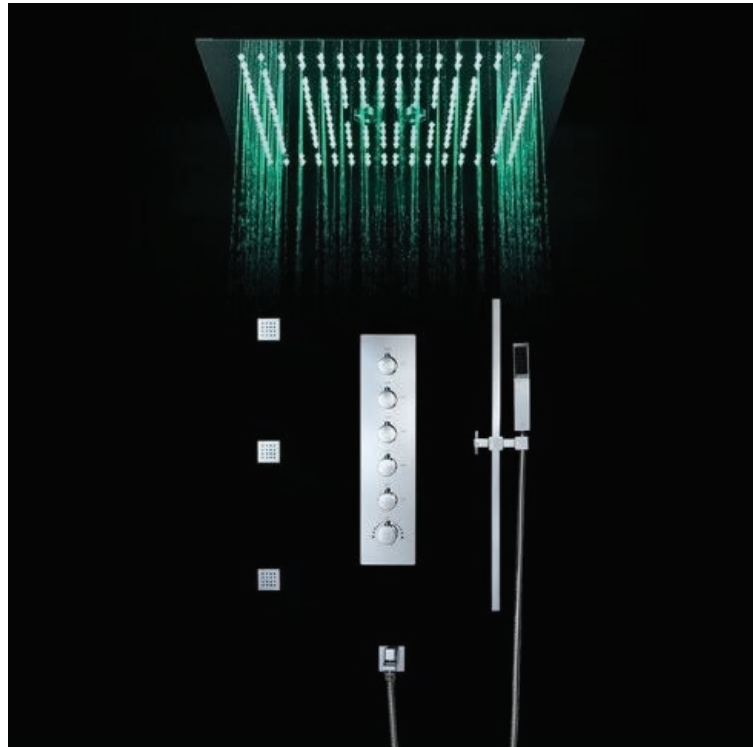


# BATHSELECT MODERN DESIGN LED RAIN SHOWER HEAD WITH CHROME JET SPRAY & SLIDING BAR HAND SHOWER INSTALLATION INSTRUCTIONS



## PRIOR TO INSTALLATION

Please read installation instructions below. All plumbing should be installed in accordance with applicable building codes and regulations.

Unpack and inspect the items for any shipping damages. If you find damages, do not install.

All products must be installed by a professional and certified plumber otherwise warranty may be voided.

## POSSIBLE TOOLS REQUIRED\*



Plumbers Tape



Tape Measure



Level



Adjustable Wrench



Hex Wrench



Thread Sealant



Drill



Pencil or Marker

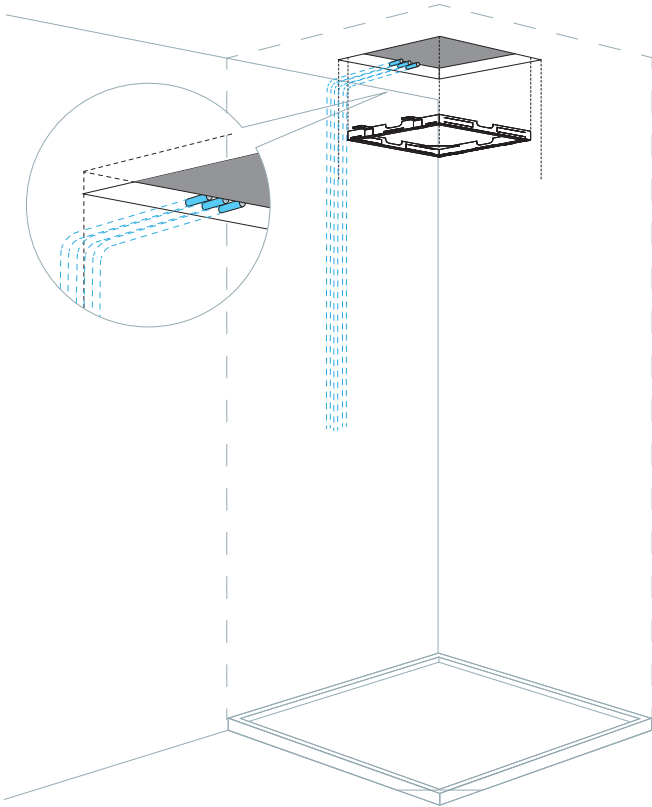


Screwdriver

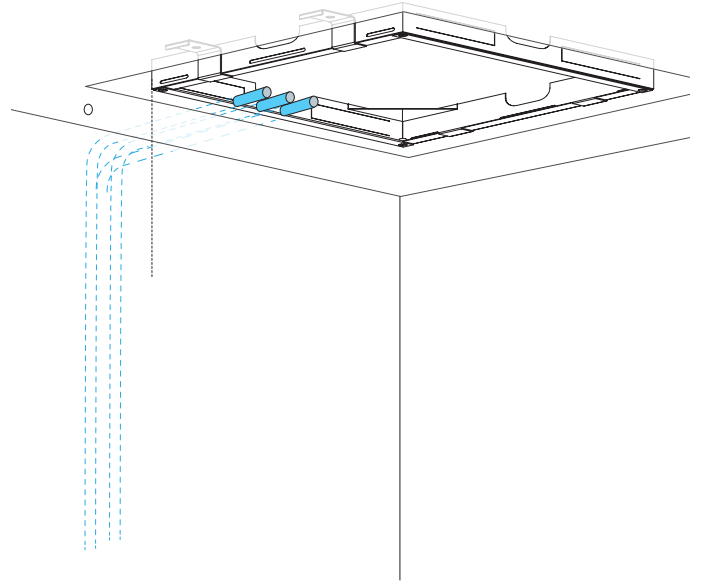
\*not included

**Shower Head Installations Instruction**

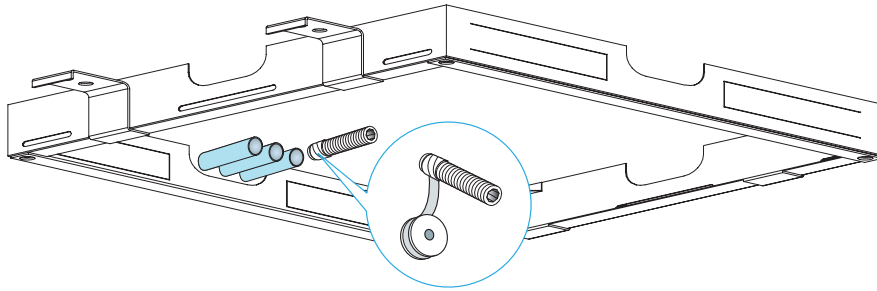
**Step 1:**



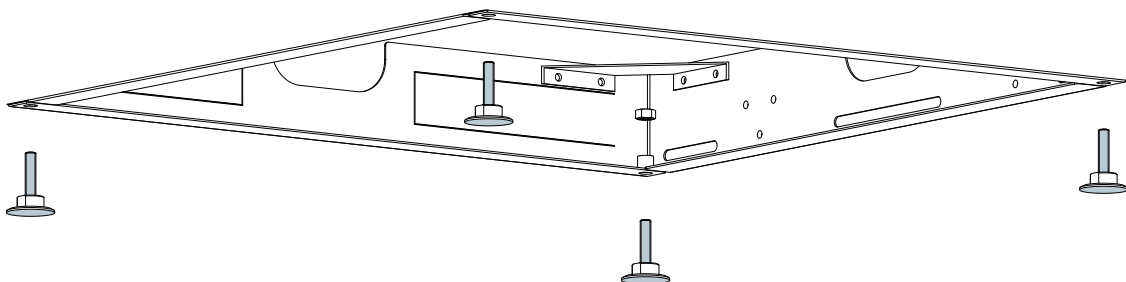
**Step 2:**



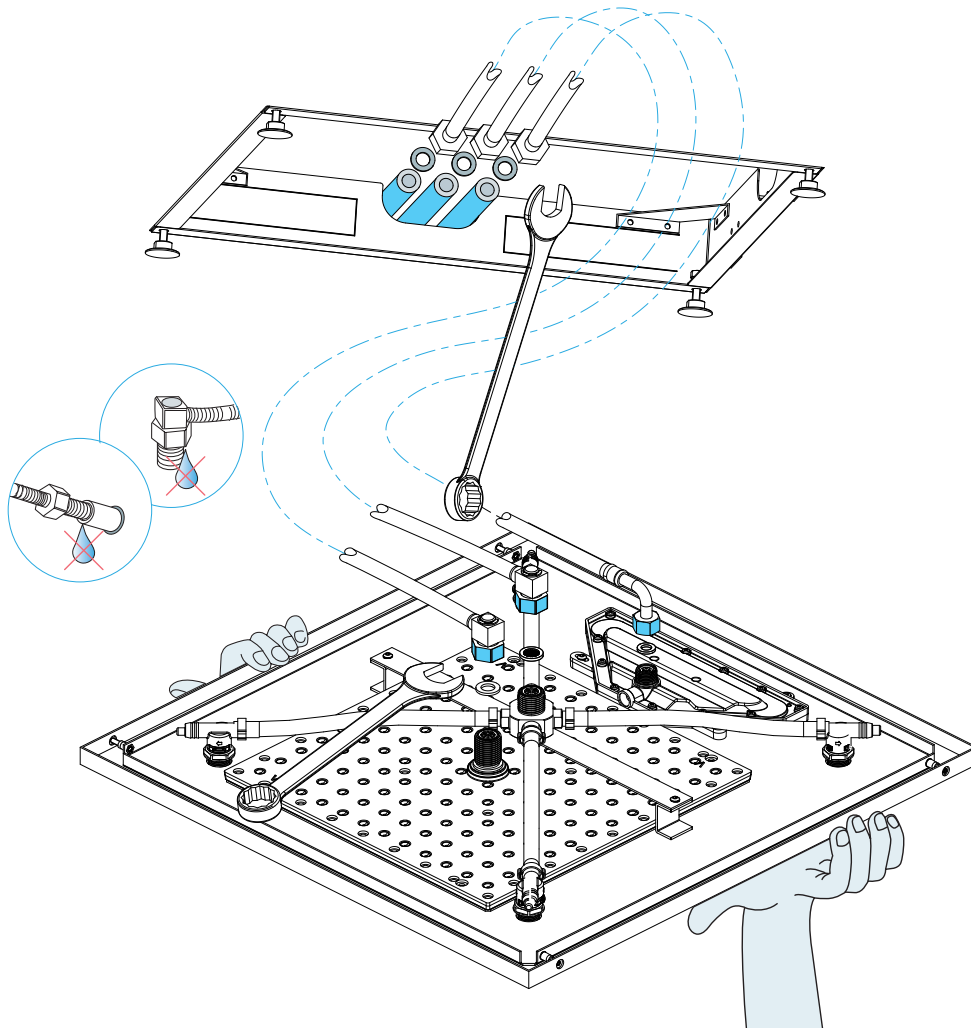
**Step 3:**



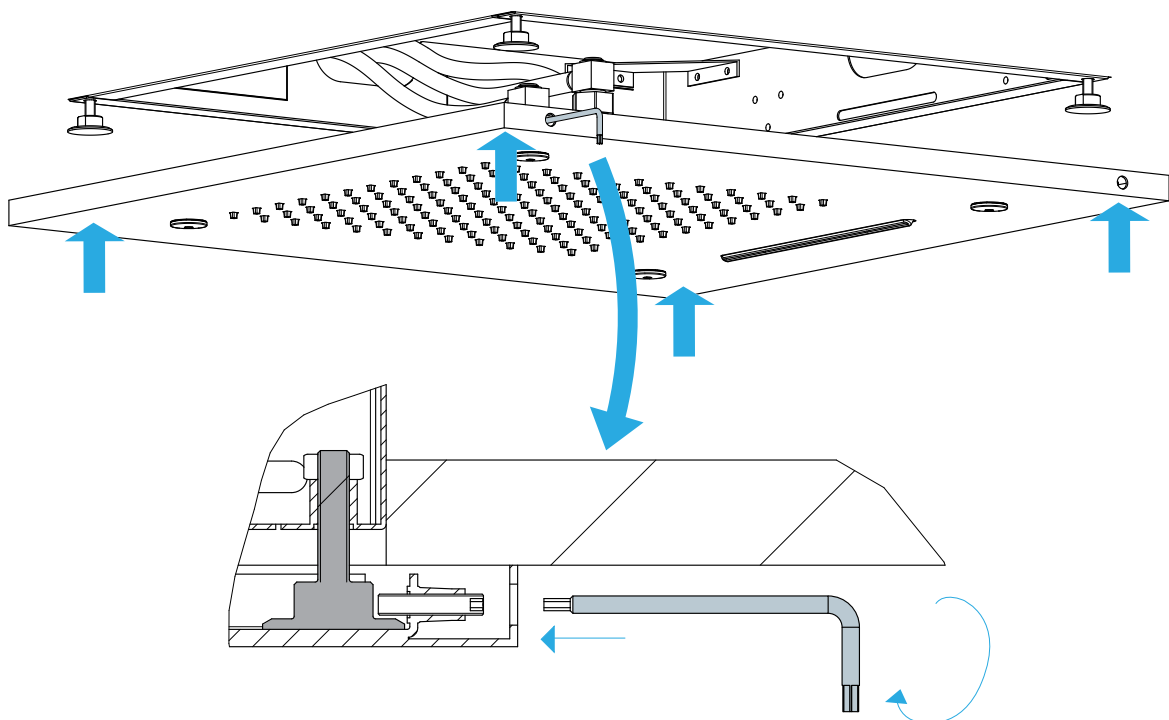
**Step 4:**



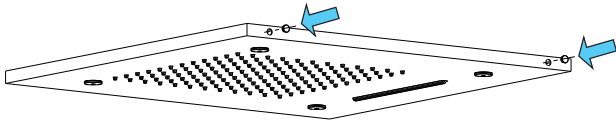
**Step 5:**



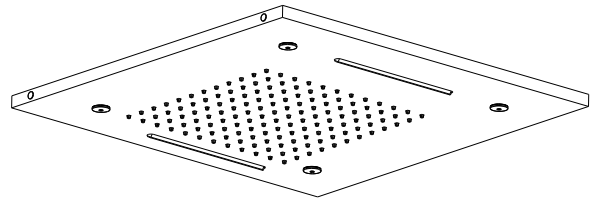
**Step 6:**



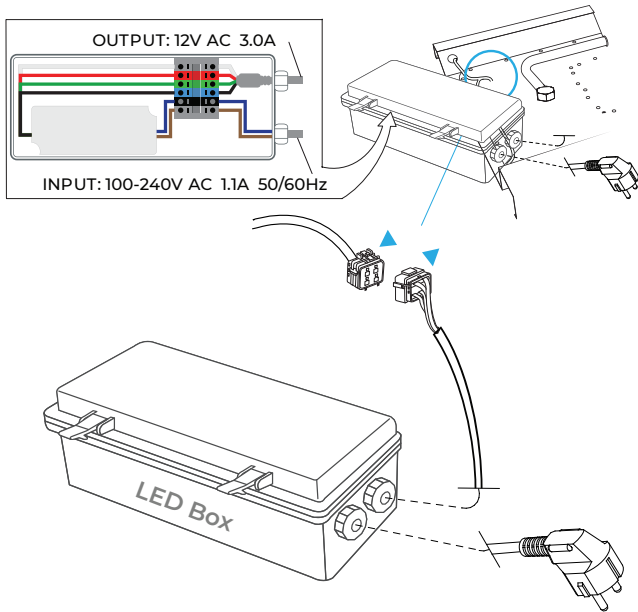
**Step 7:**



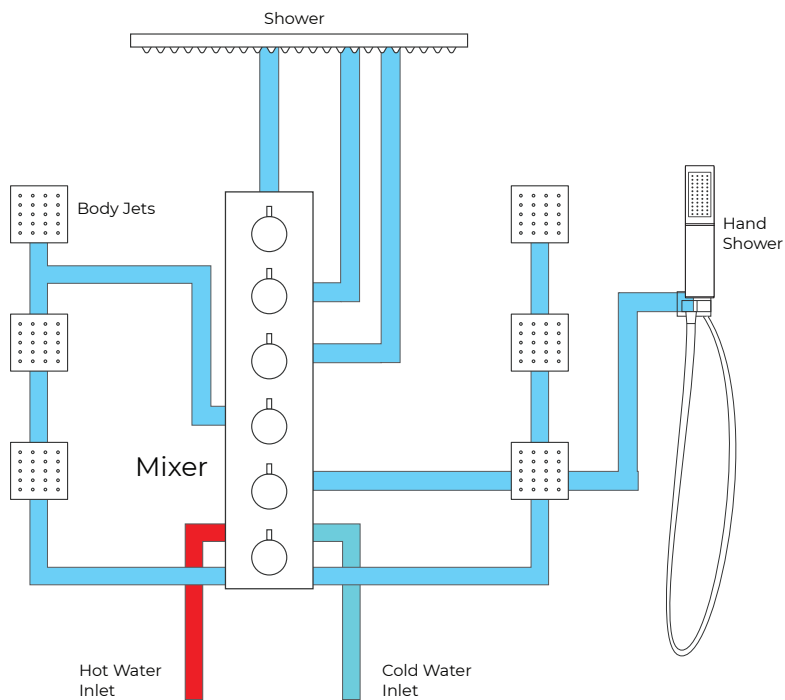
**Step 8:**



**Step 9:**



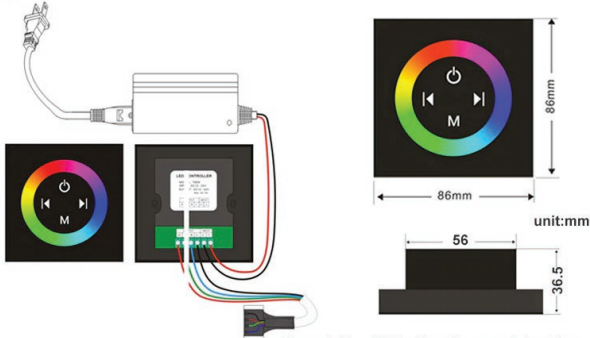
**Step 10:**



## function of additional accessories (as chosen while purchase):

1.Touch panel there are 4 buttons and a pulley key ,the functions are as follows :

- You could turn on/off controller at any state;
- Mode key,you can choose a different kind of color change,total 11 kinds of change patterns.
- It is used for increasing/ reducing the output signal brightness of speed.



Typical Application

Remark:Need 86 bottom box use it together  
The product not include the 86 bottom box

**Safety Tips:** The control panel do not touch water directly.

### 1: Remote control color

- 1:Turn ON/OFF
- 2:Color Touch Ring
- 5:Mode Switch
- 4/8:Dynamic Speed adjusting
- 3/6:Color Temperature adjusting
- 7/9:Dynamic Brightness adjusting

Use your Phone's Bluetooth  
Connect Shower Head  
Bluetooth (BL12-A3)

Kinds of color **64**  
temperature adjustable

**WiFi**

Buil-in WIFI

2: Phone control color

Color software App install instruction  
download name: LED Home

Phone control color

Kinds of color **64**  
temperature adjustable

Color software App install Instruction  
Download name:LedHome

**IOS:** <https://itunes.apple.com/cn/app/ledhome/id105692mt=819217>

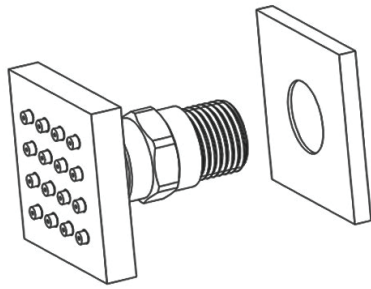
**Android:** [http://zhushou.360.cn/detail/index/soft\\_id/3156463](http://zhushou.360.cn/detail/index/soft_id/3156463)

QR Code

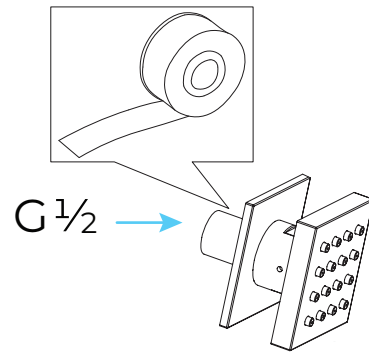
**WiFi**  
Buil-in WiFi



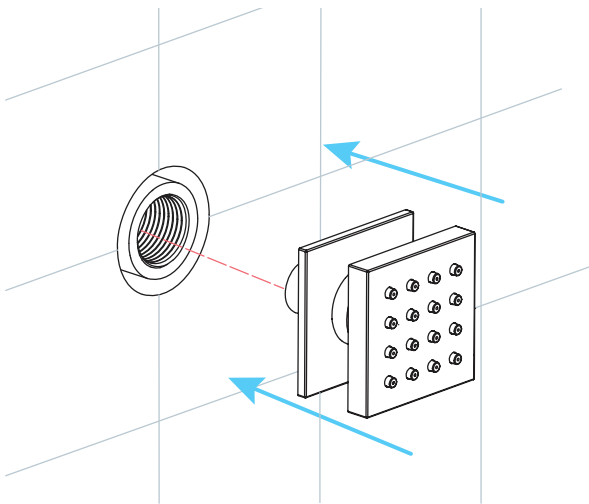
## Body Jets Spray Installations Instruction



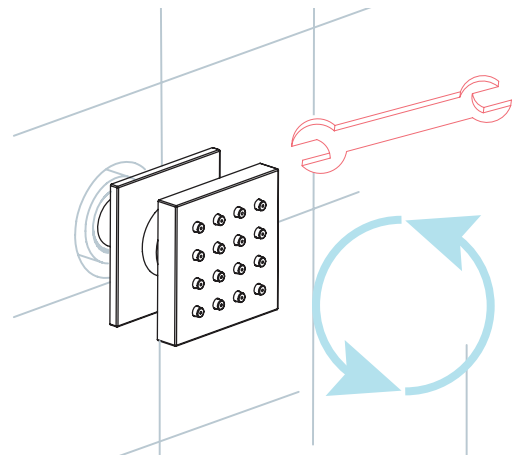
Step 1: Attach the escutcheon to the body spray.



Step 2: Apply teflon tape to threaded tail pipe of the body spray



Step 3: Press the escutcheon against the finished wall

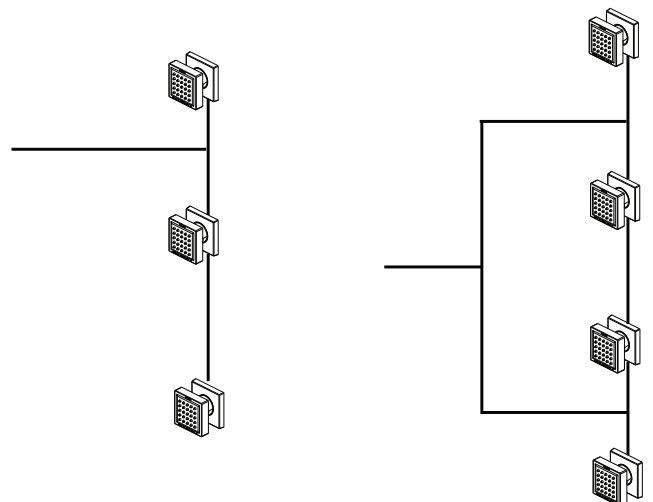


Step 4: Screw the Body spray tightly into the female of water Supply

### Pressure Balancing Loop:

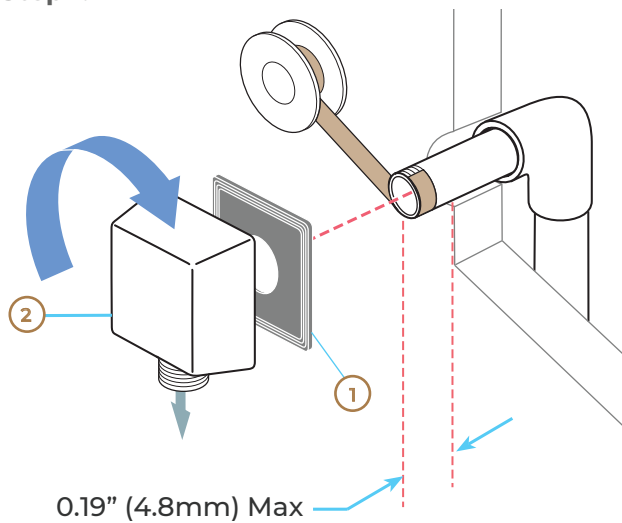
. If installing bodysprays in a bank of 3 or fewer, a pressure balancing loop is not necessary.

. If installing bodysprays in a bank of 4 or greater, a pressure balancing loop must be used to keep the pressure even between the bodysprays.



## Hand Shower Installations Instruction

### Step 1:



### 1. SUPPLY ELBOW INSTALLATION

Apply plumber tape to threaded ends of 1/2" (13 mm) iron pipe nipple (not supplied) and thread into shower riser elbow so that nipple extends past the finished wall no more than 0.19" (4.8 mm) and no less than 1/16" (1.6 mm). Place the supplied installation gasket (1) behind the elbow (2). Screw the supply elbow onto the nipple making sure that the supply elbow outlet is in a downward facing position. Minimum diameter for hole is 1" (25 mm) with a maximum of 1 1/2" (38 mm).

**CAUTION:** To avoid damage to the supply elbow or hose finish during installation, wrap with a cloth or tape and use only a smooth-jawed wrench.

**DO NOT OVERTIGHTEN CONNECTIONS.**

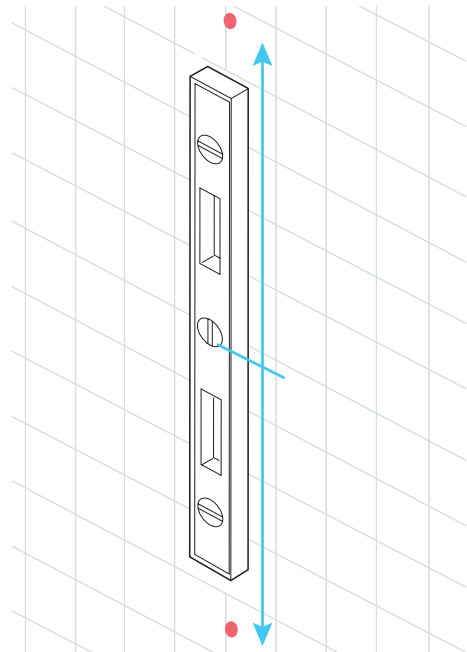
### 3. WALL BAR INSTALLATION

**Note:** Hole size will be determined by your use of just the screw or anchor and screw for installation. Drill hole for mounting of bottom post. Start with a smaller drill bit size, 1/8" is recommended, and drill hole. If you hit a wall stud, go to next step. If you do not hit a wall stud, change to a drill bit size suitable for the anchors, 1/4" is recommended, and re-drill hole.

Anchors are for use on drywall or tile. For fiberglass, acrylic and flat plastic surfaces, use toggle bolts (not included).

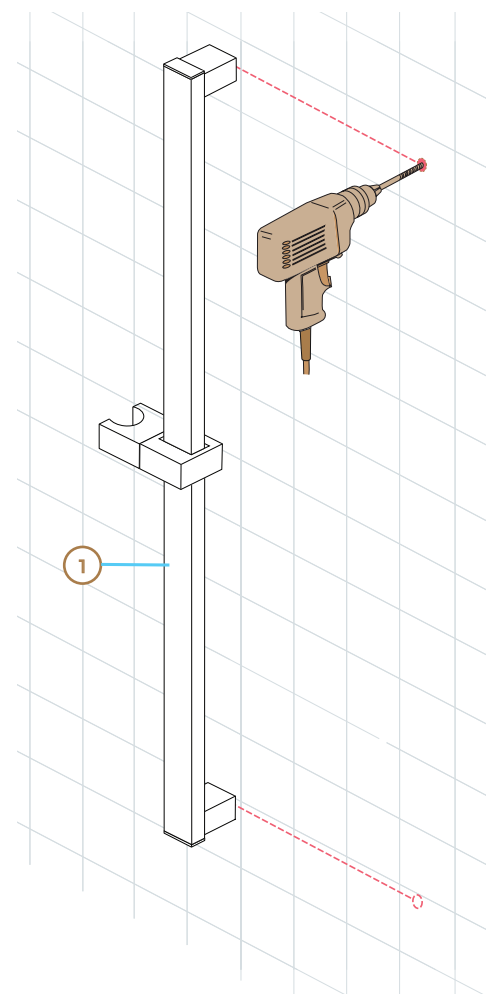
Before drilling top mounting hole, it is recommended that you place the assembled slide bar and post assembly (1) on its side next to the hole locations you have marked. Make sure posts are pressed fully onto bar. Align center of bottom post with bottom hole that was just drilled and make sure center of top post aligns with mark for top hole. If not, re-mark top hole location. If it aligns, drill top hole in location as marked.

### Step 2:

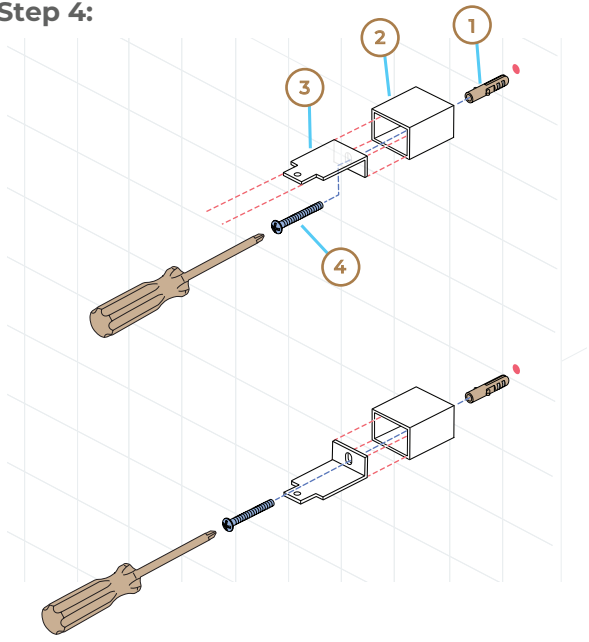


**2. Mark the place for drilling the hole for the lower post. Mark using a level, in a vertical line from the lower hole, the placement of the upper post hole. Distance approximately 25.7" (653 mm).**

### Step 3:



**Step 4:**



4. Insert anchors (1) into drilled holes. Slide cover (2) over brackets (3), and insert screws (4) into bracket/cover assembly. Secure assembly to wall with screws.

5. Slide the slide mechanism (1) and elbow (2) onto the wall bar (3). Slide wall bar over bracket tabs (4) and secure the wall bar unit with screws (5) provided. Install caps (6) into ends of wallbar. Lower elbow (7) & screw (8) was pre-installed prior to shipping, tighten screw (9) if you find it is sliding inside bar.

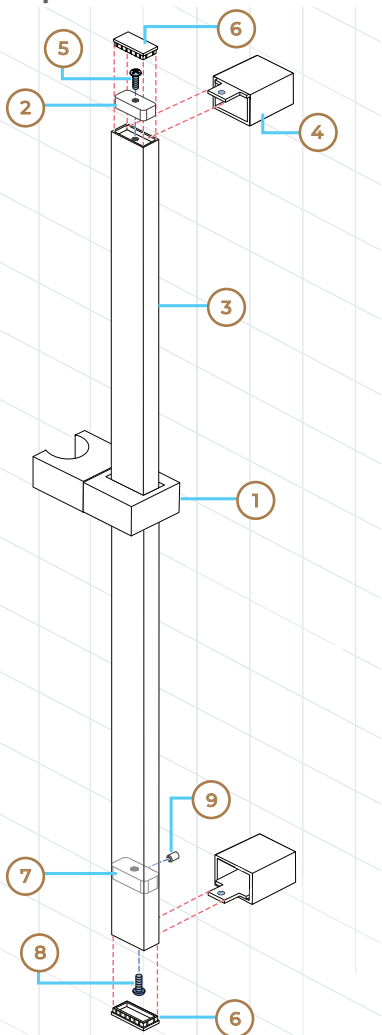
**6. INSTALLATION OF THE SHOWER SET**

Connect the shower hose to the wall outlet (1) and the hand held piece (2), ensuring that the internal gaskets (3) are present in the shower hose nuts. Normal 1/2" rubber gaskets can be used.

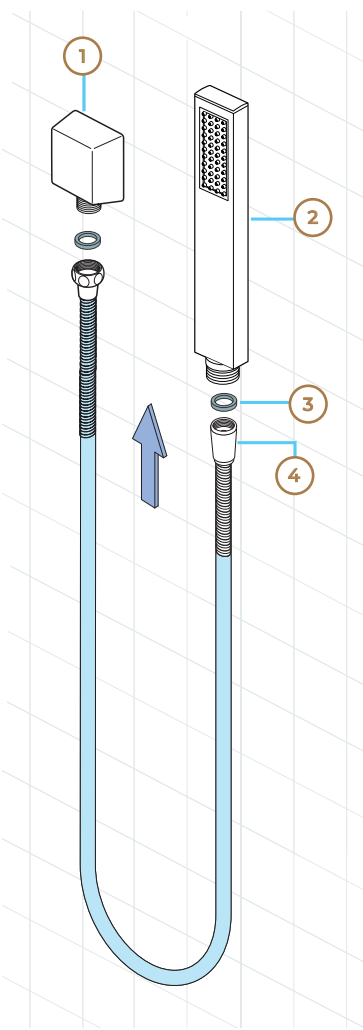
Place the conical nut of the hose (4) that is connected to the hand held piece, in the slide bar holder (5) and turn it to desired position.

To slide the mechanism up or down, push in on the button (6) of the mechanism and slide it on the bar.

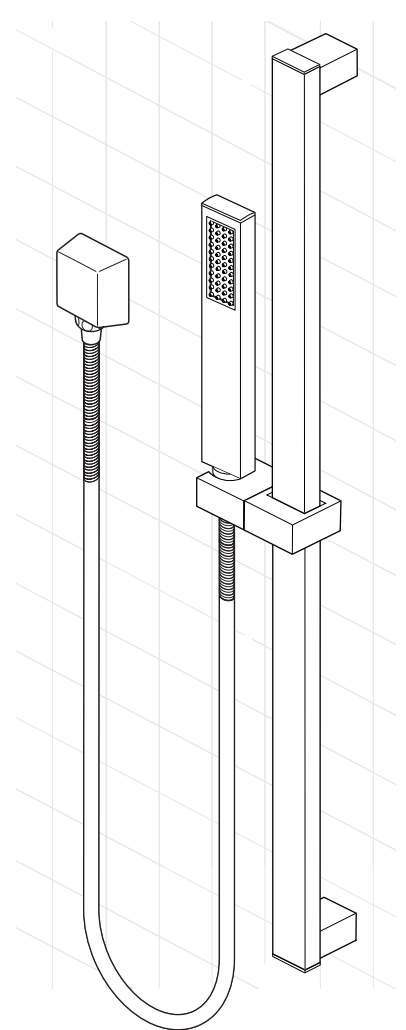
**Step 5:**



**Step 6:**



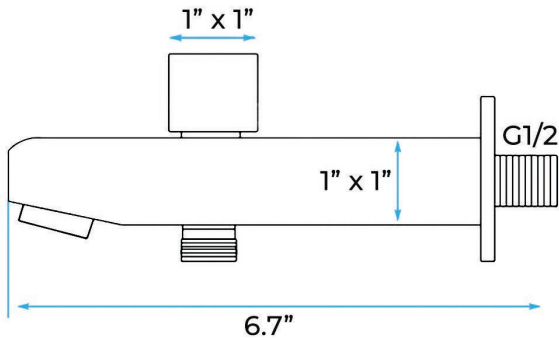
**Completed**



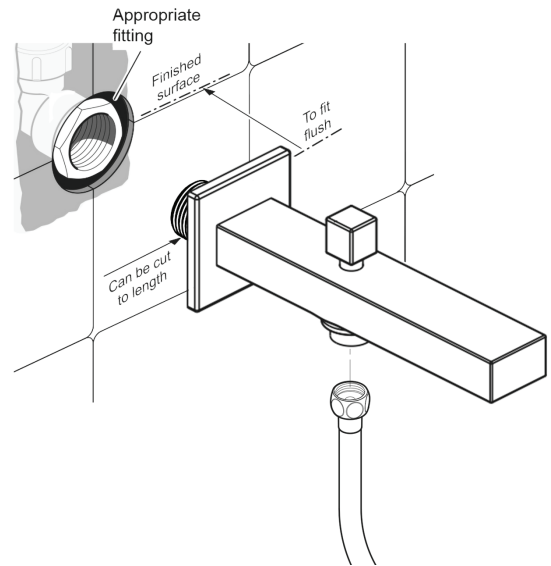


## Hand-Held Shower Installations Instructions

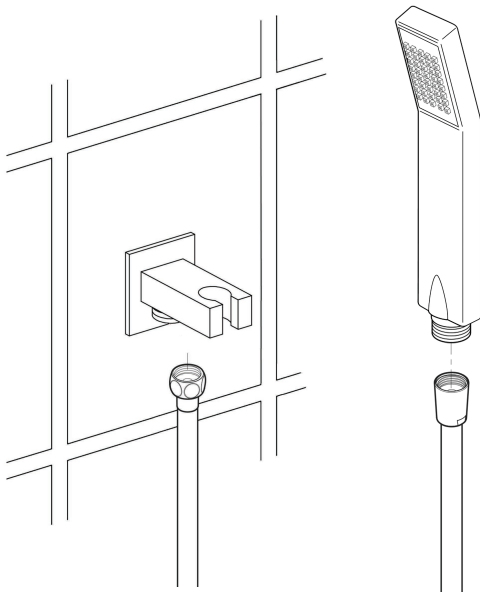
### Step 1



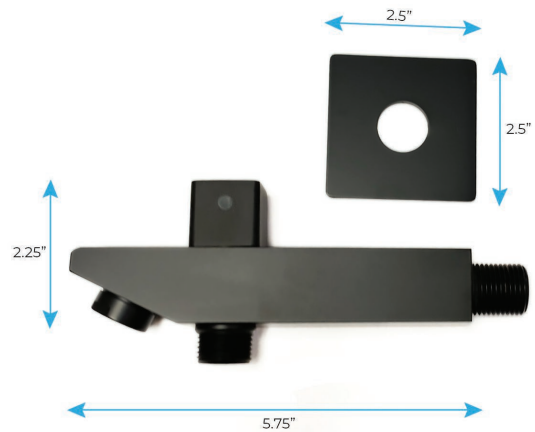
### Step 2



### Step 3



### Step 4



### Hand Shower Outlet Installation

- Complete the outlet pipework ensuring it ends in an appropriate 15mm x 1/2" BSP female thread elbow. Note: This fitting is not supplied as variations in installations require the selection of a suitable solder or compression fitting.

- Install the 'Wall Outlet', thread long male 1/2" BSP into the appropriate female fitting using PTFE tape to give a watertight joint.

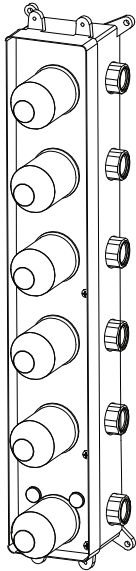
Note: The thread can be cut to size if required. Make sure that all debris is removed from the connector and the section that has been cut is dressed correctly, before installation.

The minimum required water pressure is 0.05 MPa (0.5 bar).

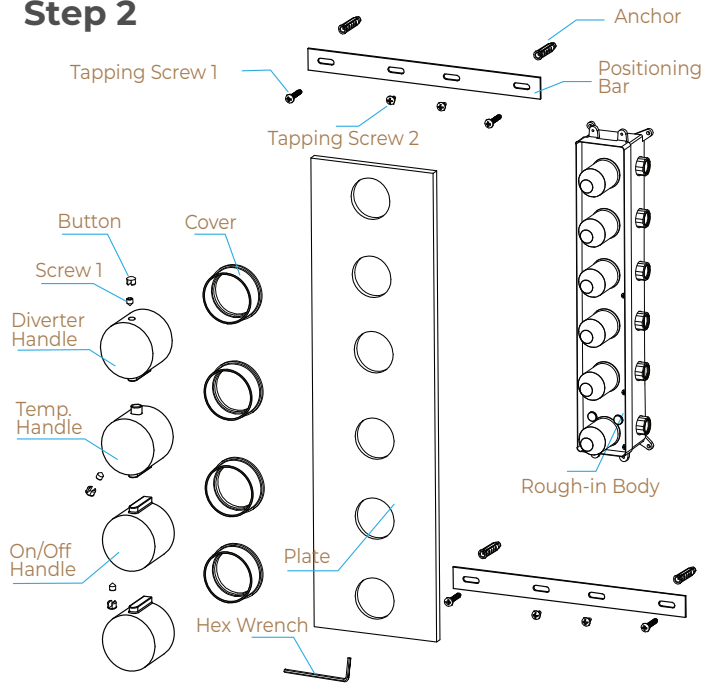
Flow rate 2.5 GPM (9.5 LPM).

**Mixer Installations Instructions**

**Step 1**

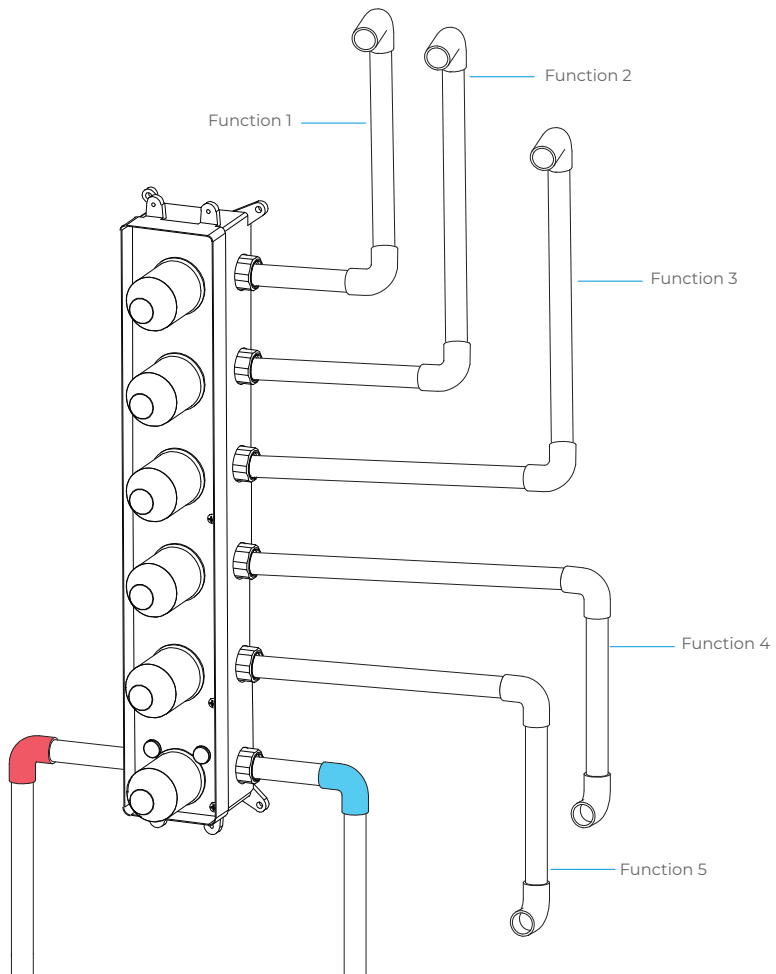


**Step 2**



**Step 3 ( Connection )**

- Hot water
- Cold water



## General Information

All products manufactured and supplied by BathSelect are safe and comply to legislative requirements. Providing they are installed correctly and receive regular maintenance in accordance with these instructions your user experience will not be affected

## Care & Cleaning

1. The product can be cleaned with warm water, a mild soap and a clean soft cloth.
2. Clean progressively and gently.
3. It is not required to use any abrasive cleaning pads, wire wool or cloths to clean the product.
4. Avoid a vigorous cleaning action, as this could contribute to denaturing and dulling
5. Abrasive or strong cleaning products containing ammonia, bleaches, alcohol, dyes, acids (hydrochloric, formic, phosphorus, chlorine or acetic) will be not be affected.
6. If using a spray cleaner, apply the cleaning agent onto a soft cloth, never directly spray onto the product as the cleaner may enter gaps and openings and cause damage. Do not allow the cleaner to remain on the product for a period of time. After cleaning, rinse thoroughly with clean water.

