

VICENZA THERMOSTATIC BATHROOM SHOWER SET WITH RAINFALL SHOWER HEAD & HAND SHOWER INSTALLATION INSTRUCTIONS



PRIOR TO INSTALLATION

Please read installation instructions below. All plumbing should be installed in accordance with applicable building codes and regulations.

Unpack and inspect the items for any shipping damages. If you find damages, do not install.

All products must be installed by a professional and certified plumber otherwise warranty may be voided.

POSSIBLE TOOLS REQUIRED*



Plumbers Tape



Tape Measure



Level



Adjustable Wrench



Hex Wrench



Thread Sealant



Drill



Pencil or Marker

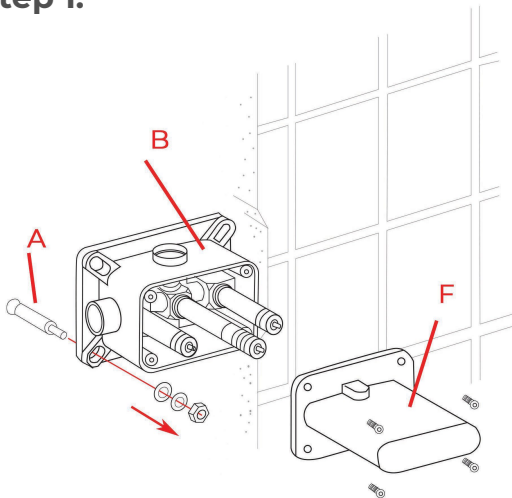


Screwdriver

*not included

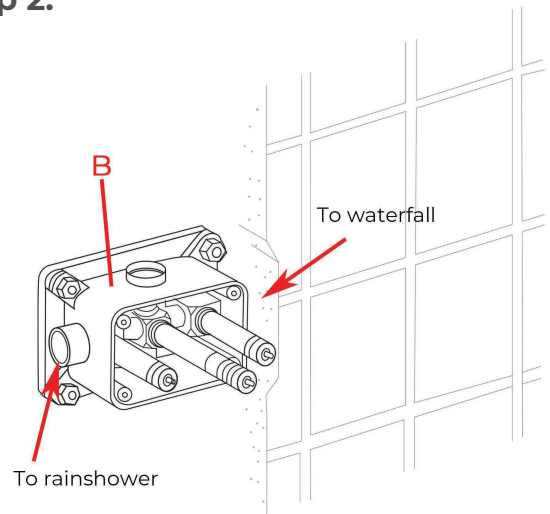
Shower Head Installation Instructions

Step 1:



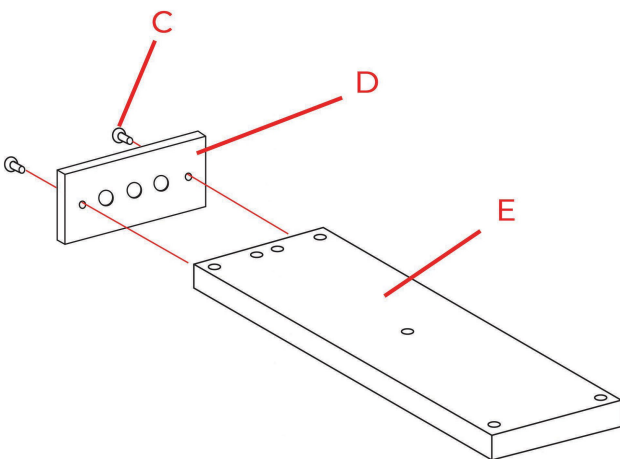
Remove the protective cover (F). Mark the positions and drill holes to suit the anchors (A). Install the anchors (A) and fix the rough-in valve (B) into the wall with screws. Use a level to ensure that the rough-in valve (B) is straight and level. (Important: Flush the water supply to remove any dirt and debris before installing the valve body).

Step 2:



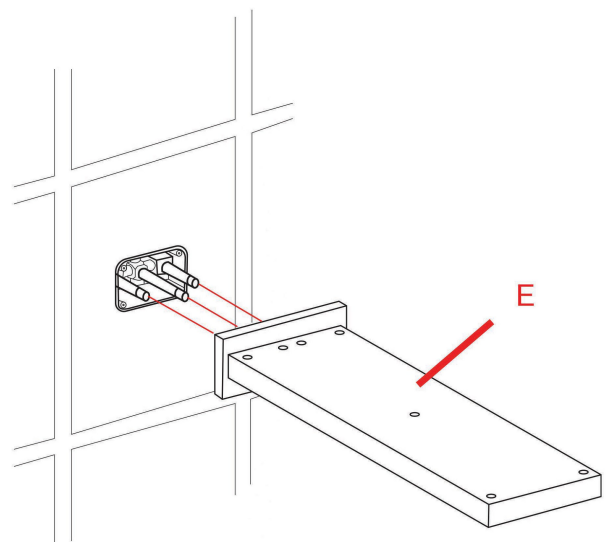
Wrap Teflon tape around the pipe threads and connect water supply lines and in-wall pipes (not included) as desired to the rough-in valve (B). Turn on the water supply and open the cartridge to check for leakage. Then put on the protective cover and finish the wall surrounding the valve. (Note: Test the water pressure after the pipe connections have been made and before the finished wall material is installed).

Step 3:



Fix the escutcheon (D) to the showerhead (E) with screws (C).

Step 4:



Remove the protective cover when the finished wall is completed. Then, install the showerhead (E) and press it against the finished wall.



Support role ,strong safe

Rainfall outlet role

Rain shower outlet role

■ Big water flow and comfortable spay,
Elegant design and save space of
shower room



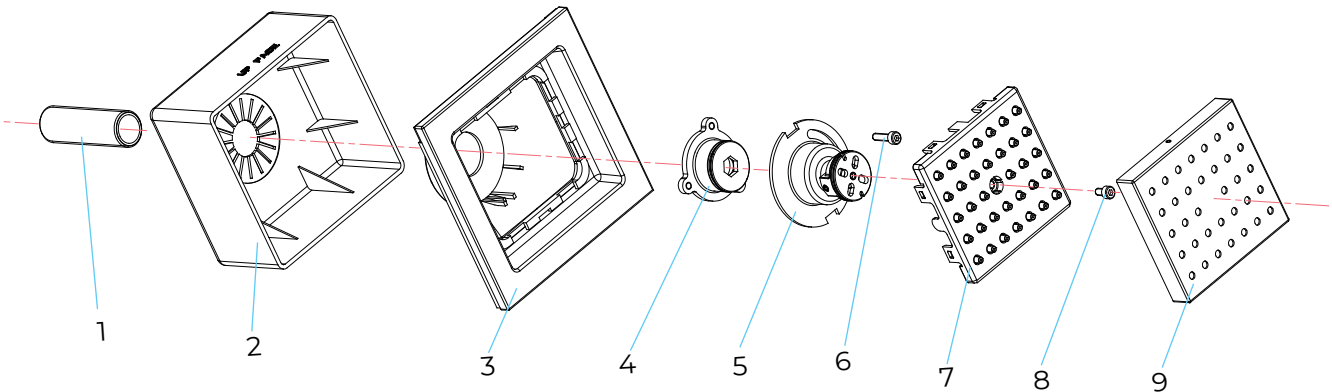
The installation of concealed plastic box
in right way



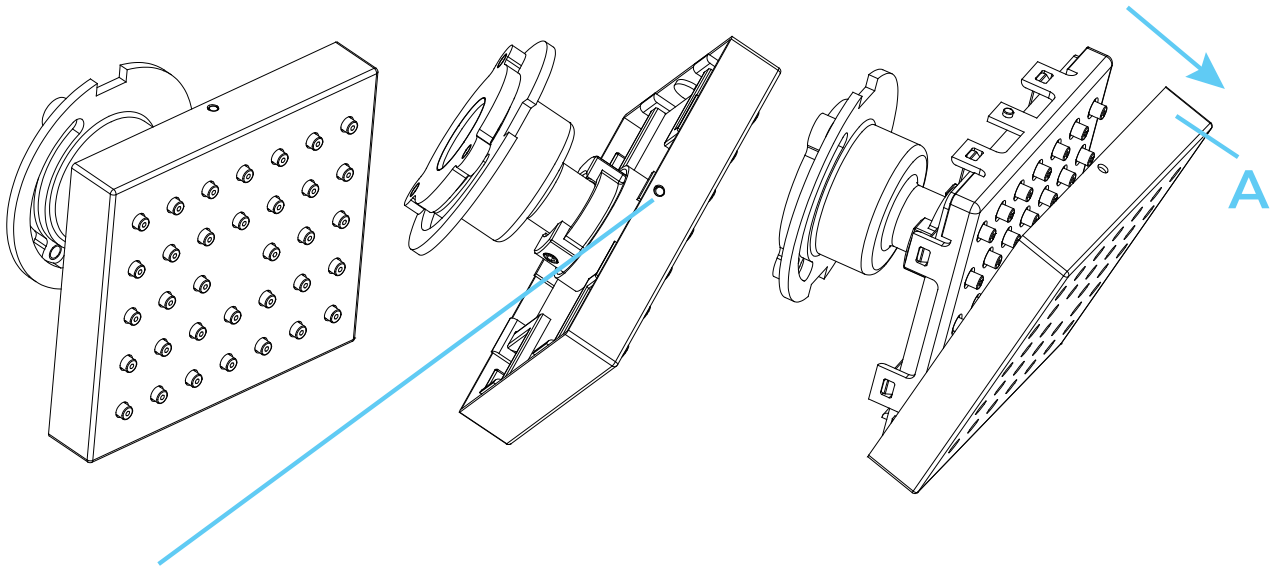
It's installed
upside down

The installation of concealed plastic box
in wrong way

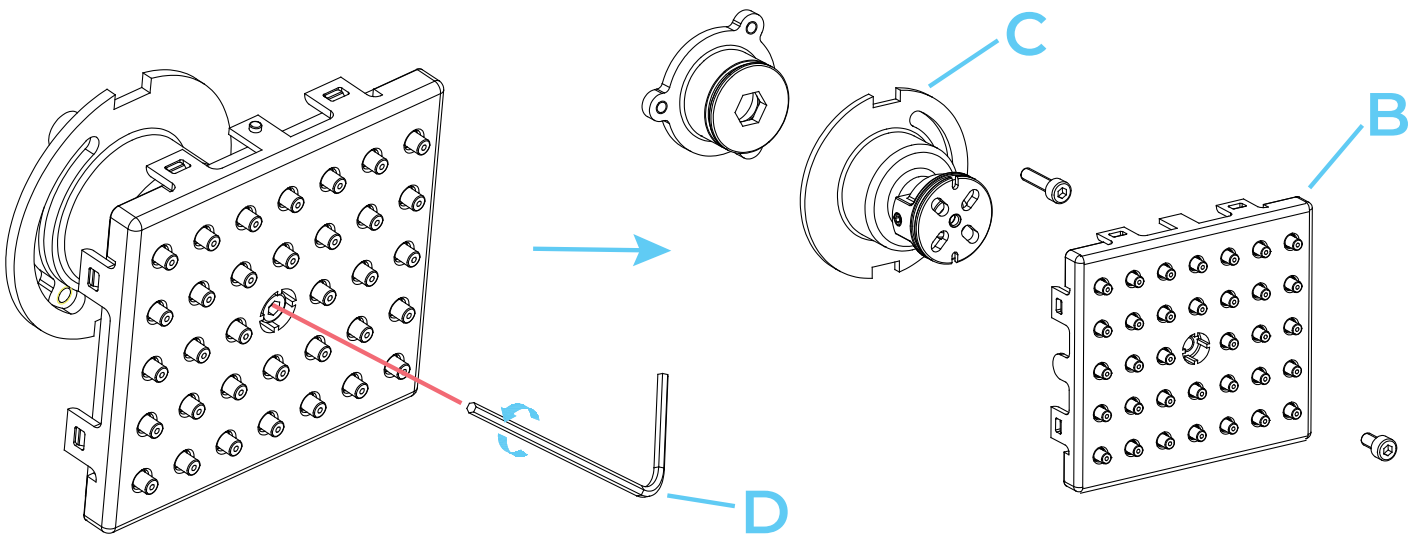
Square Body Jets Spray Installations Instruction



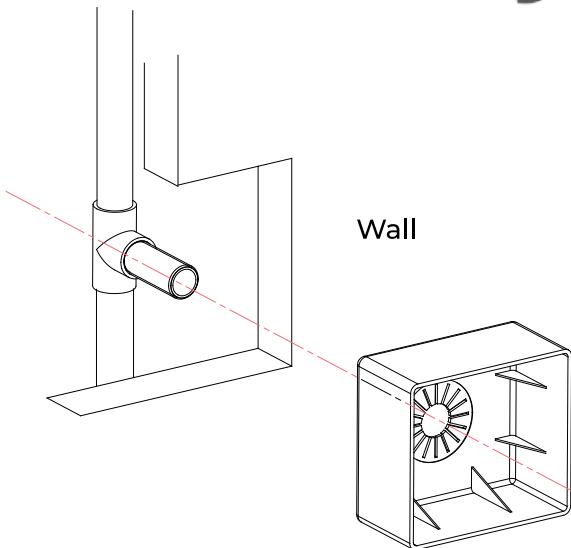
Parts : 1.Pipe, 2.Plastic box, 3.Decorative plate, 4.Connector, 5.Body, 6.Bolt #6, 7.Outlet face, 8.Bolt #8, 9.Outlet face



Step 1: Push the hole. Remove the decorative plate (A) out of the body

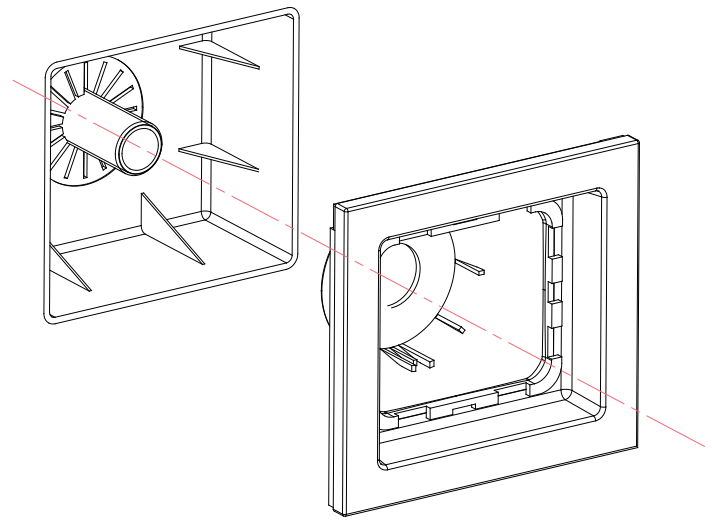


Step 2: Remove the screws from the outlet face (B) and connector body (C) with the Allen key (D).

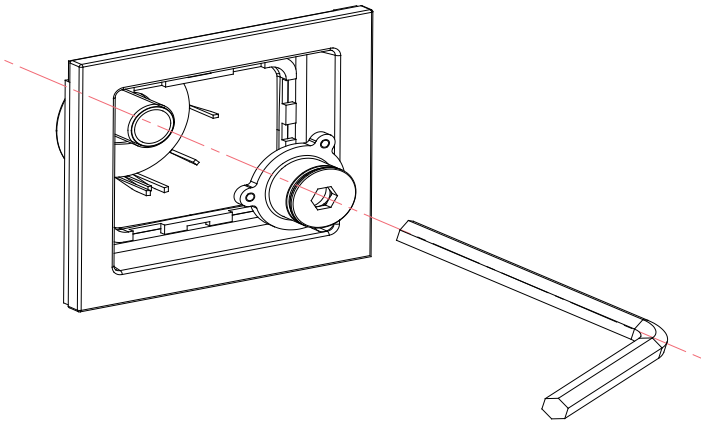


Wall

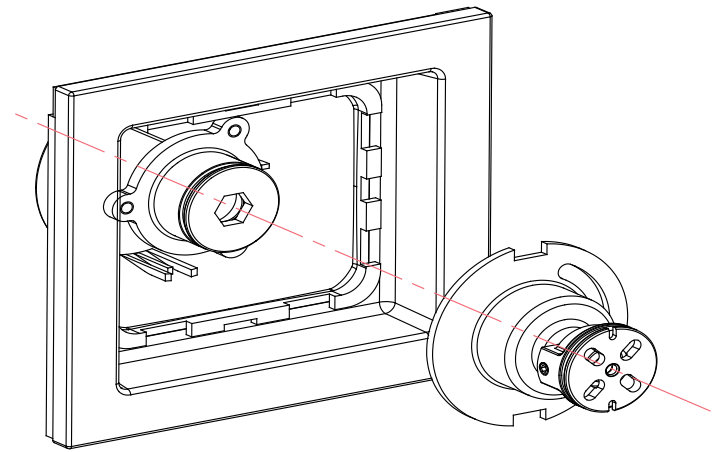
Step 3: Push the plastic box into the wall
IMPORTANT: Please make sure the UP FACE marking is in the top position



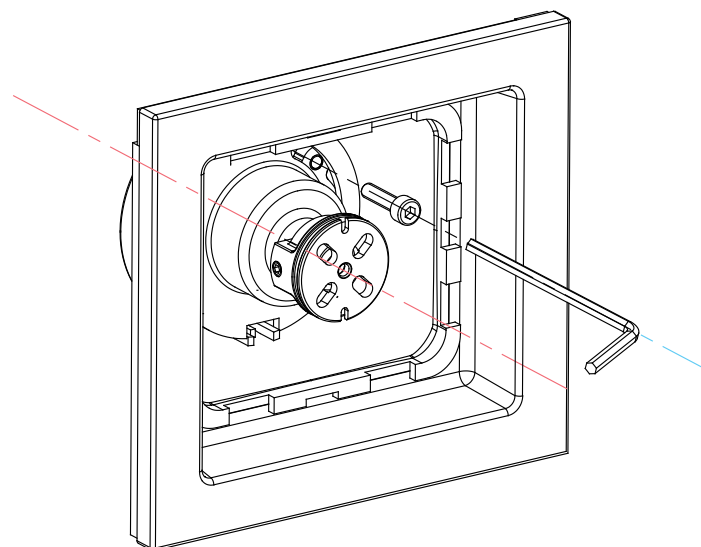
Step 4: Install the decorative plate assembly into the plastic box. Make sure the position is correct



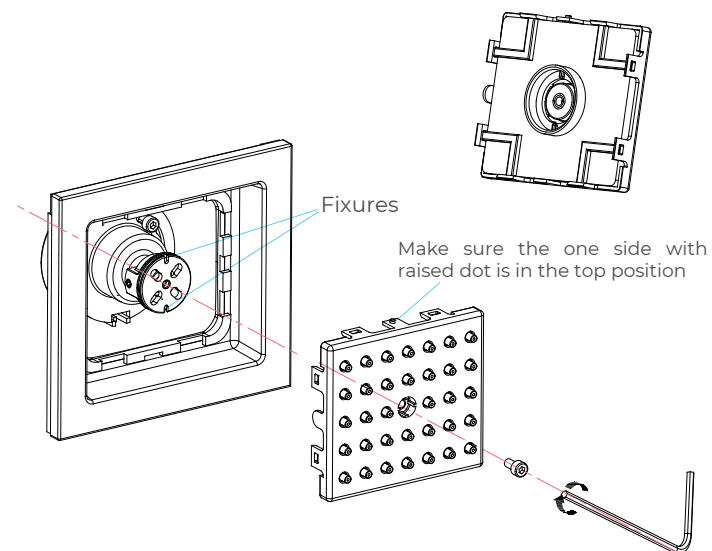
Step 5: Screw the connector into the pipe with H10 wrench



Step 6: Install the body assembly to the connector

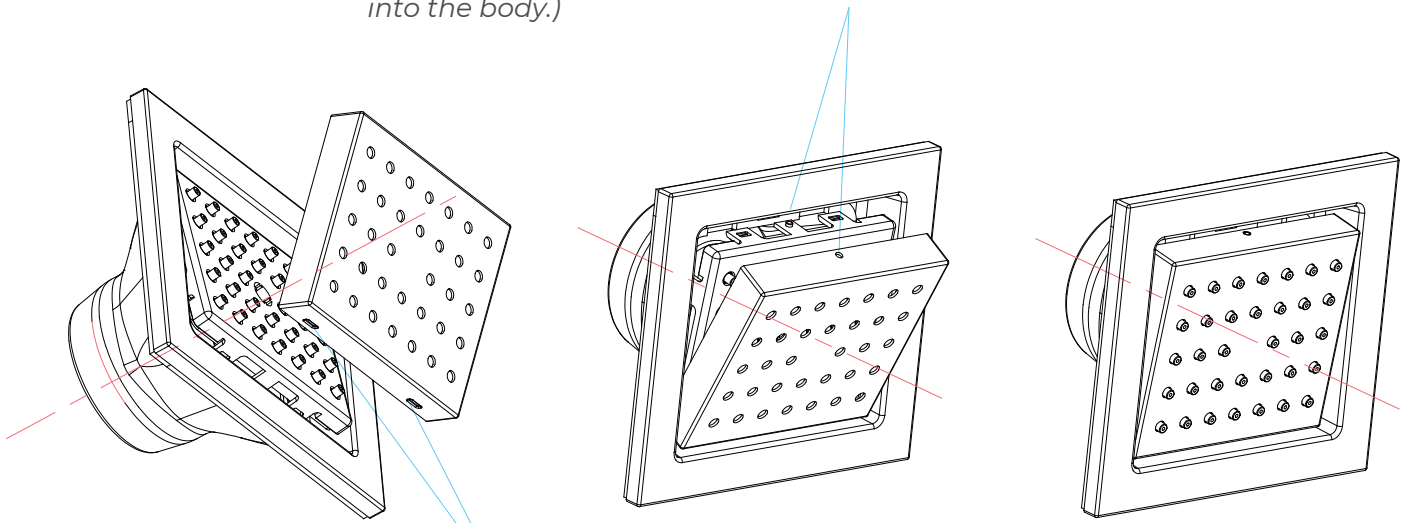


Step 7: Screw the bolt #6 into the body. Make sure the body and the connector are tight. The decorative plate should now be secure and will not move



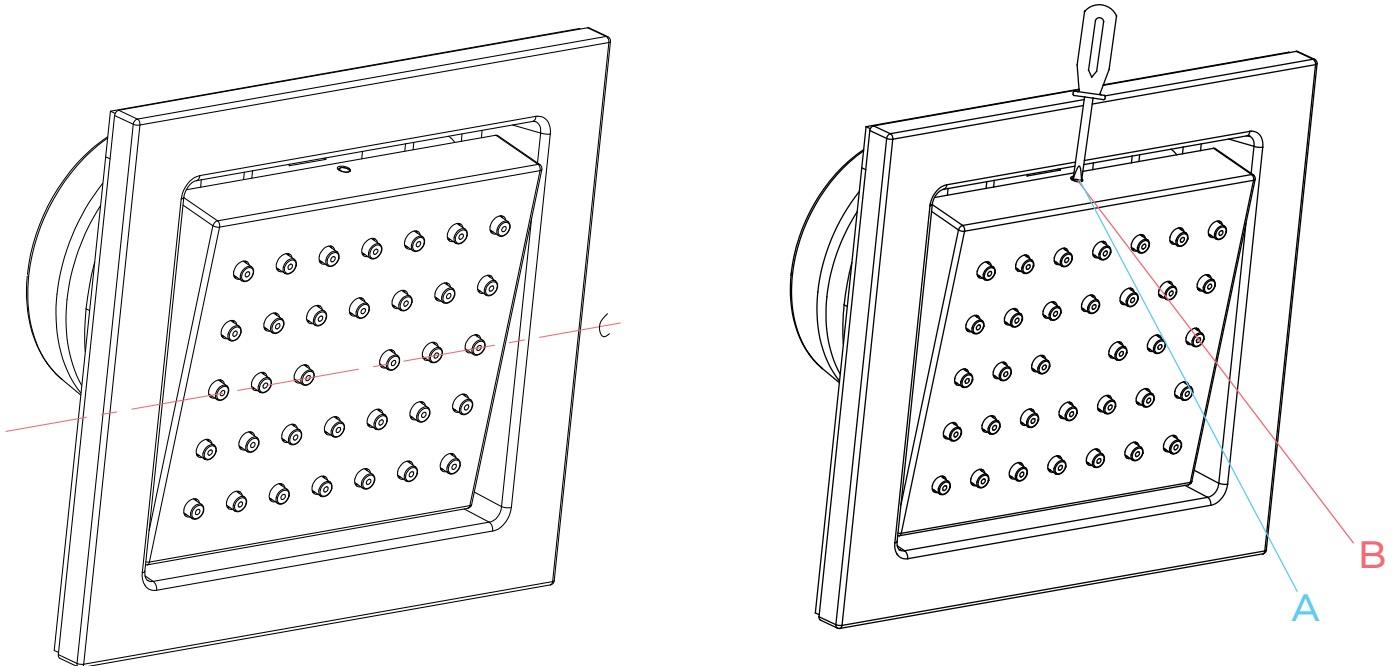
Step 8: Install the outlet face assembly to the body. Make sure the outlet face is fully seated onto the body. Screw the bolt #8 through the outlet face into the body (*Do not over tighten*)

(Make sure the hole and the raised dot are in the correct position when you push the decorative plate into the body.)



(This side is in the bottom position when push the decorative plate into the body first.)

Step 9: Screw the outlet face a little angled. Make the decorative plate have a little angle too when push it into the body. Adjust the outlet face when push the decorative plate in order to put it out of the decorative plate



Step 10: Products can adjust to the angle positions as shown below: face when push the decorative plate in order to put it out of the decorative plate

Step 11: Do not use abrasive sponges or microfiber cloths, corrosive cleansers, solvents or acids. We recommend that you do not use any anti-lime scale products or cleaners containing vinegar and acetic acid. Chemical cleaning agents may damage the product. Clean products using only mild soap or a wet cloth

A> Protect the decorative plate coating when removing it.

B> Use screwdriver to remove

Shower Mixer Installations Instruction

