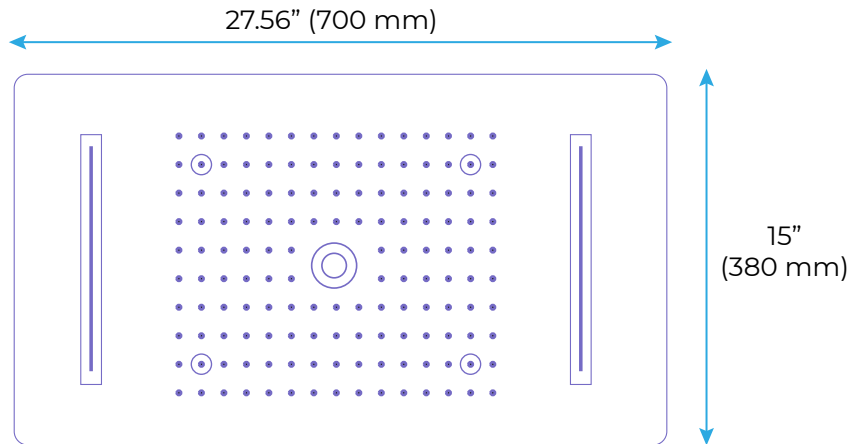


6 WAY LED THERMOSTATIC SHOWER SYSTEM WITH HANDHELD SHOWER AND 6 BODY MASSAGE JETS SPECIFICATIONS



Shower Head



Shower Head Functions: Rainfall, Waterfall, Bubble, Mist

Shower Panel /Hose Material: 304 Stainless Steel

Showerheads Install: Embedded Ceiling Mounted

Concealed Mixer Install: Wall-Mounted

Water Flow:

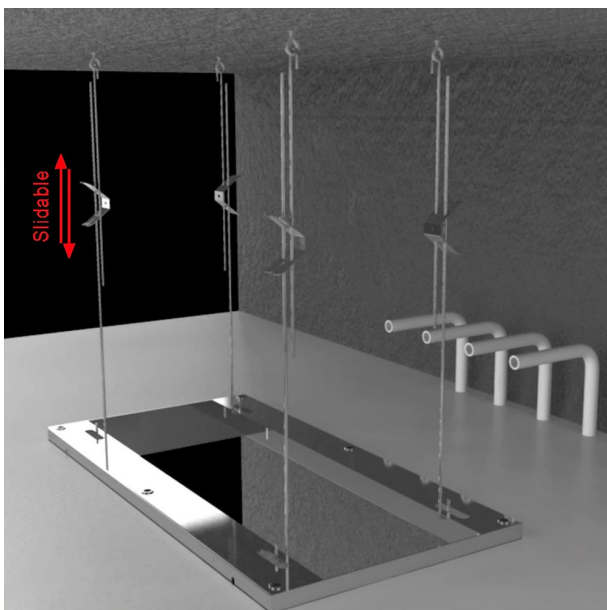
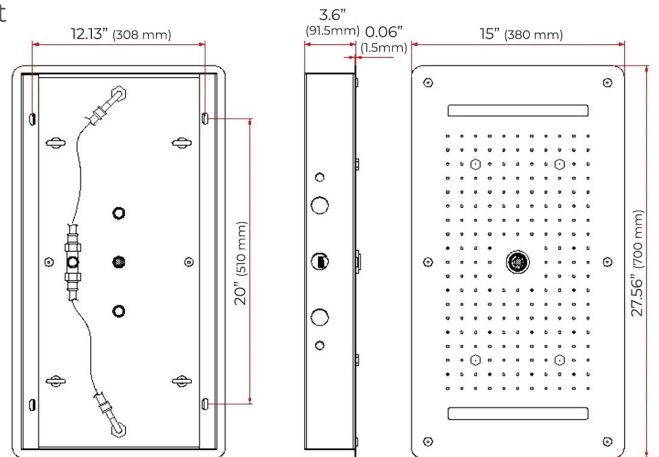
Mist: 9L/M; Rain: 15L/M; Waterfall: 15L/M; Bubble: 15L/M

Shower Accessories Material: Brass

LED Light: Need to Connect Power

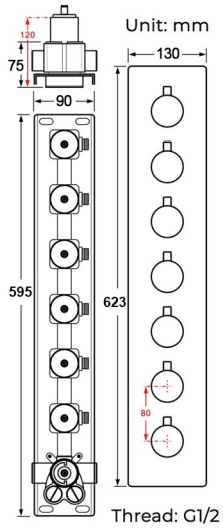
Shower Hose Length: 1.5M

AC: 90-265V 50/60Hz

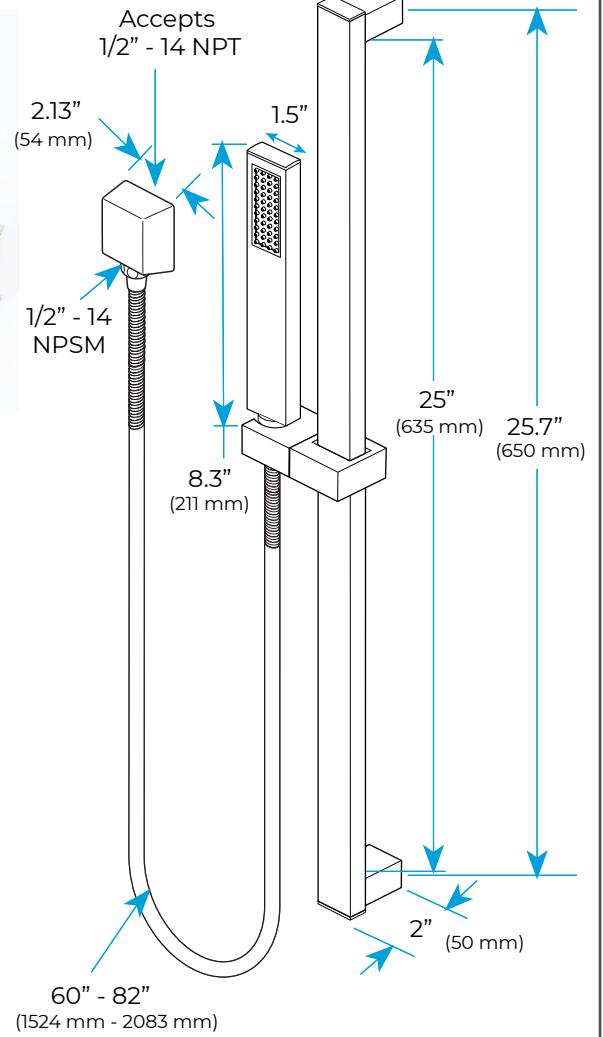


All dimensions and specifications are nominal and may vary. Use actual products for accuracy in critical situations.

Shower Mixer

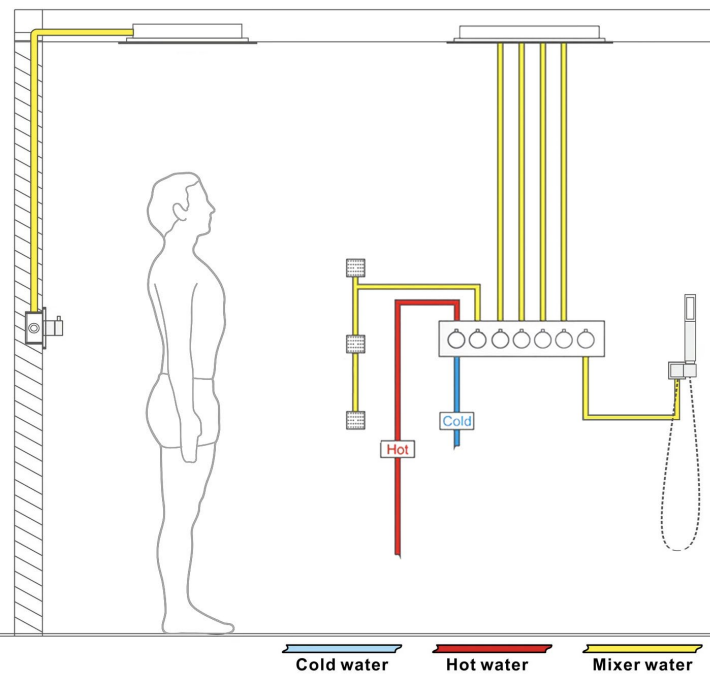


Hand Shower

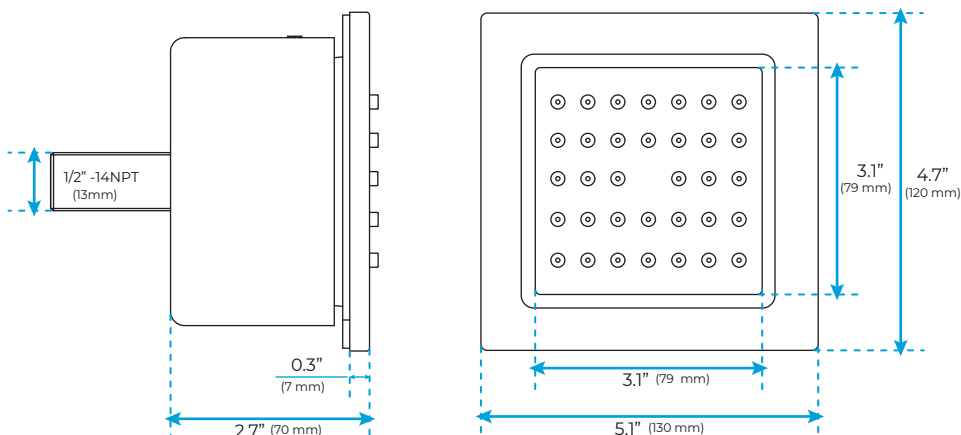


Flow Rate: 2.0 GPM / 7.6 LPM

Shower Mixer Connections



Body Jet



FEATURES

- Material: Brass
- Base Plate Height: 5-1/8"
- Base Plate Width: 5-1/8"
- Jet Surface Area: 3-1/8"
- Surface Depth: 1/4"
- Adjustment Angle: 5°
- Male NPT Connection: 1/2"
- Maximum Flow Rate: 2.5 GPM (9.5L/min) max @ 80 psi