

# 10" MATTE BLACK WALL MOUNT SQUARE SHOWER SYSTEM WITH THERMOSTATIC MIXER AND HANDHELD SHOWER INSTALLATION INSTRUCTIONS



## PRIOR TO INSTALLATION

Please read installation instructions below. All plumbing should be installed in accordance with applicable building codes and regulations.

Unpack and inspect the items for any shipping damages. If you find damages, do not install.

All products must be installed by a professional and certified plumber otherwise warranty may be voided.

## POSSIBLE TOOLS REQUIRED\*



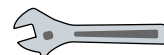
Plumbers Tape



Tape Measure



Level



Adjustable Wrench



Hex Wrench



Thread Sealant



Drill



Pencil or Marker

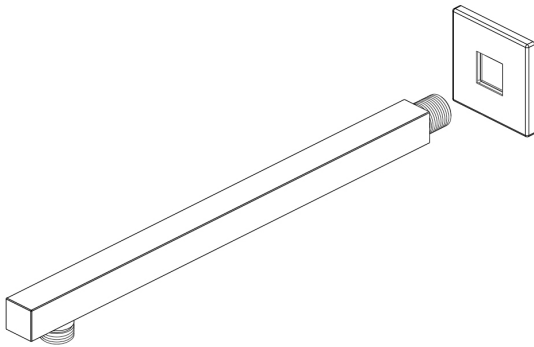


Screwdriver

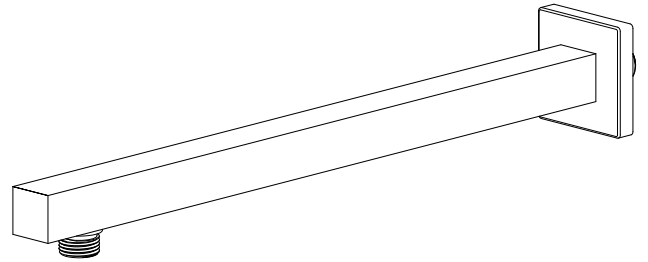
\*not included

**Wall Mount Shower Installations Instructions**

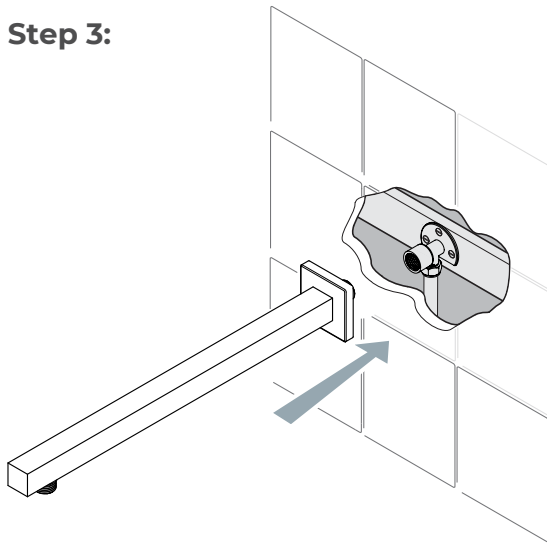
**Step 1:**



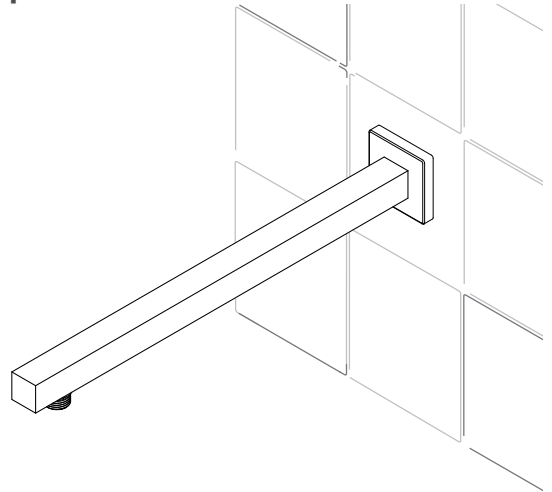
**Step 2:**



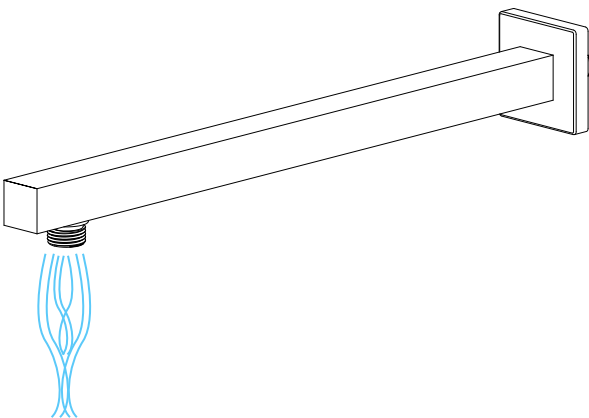
**Step 3:**



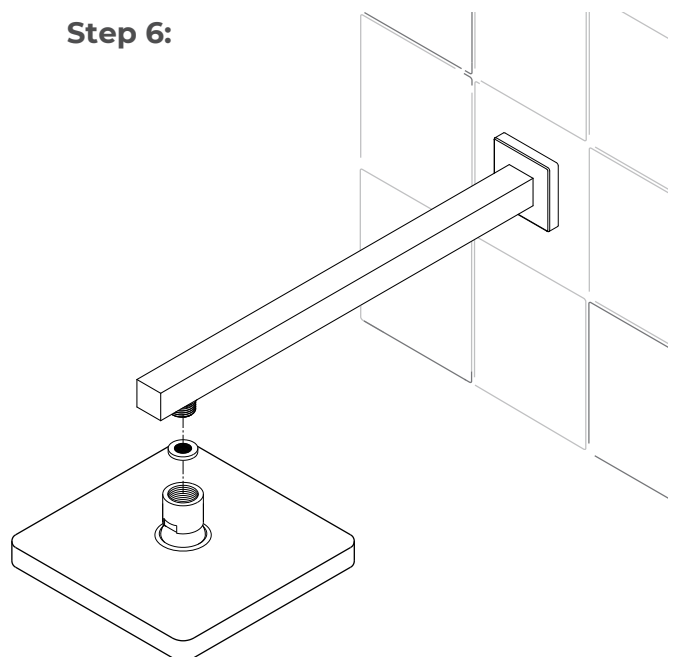
**Step 4:**



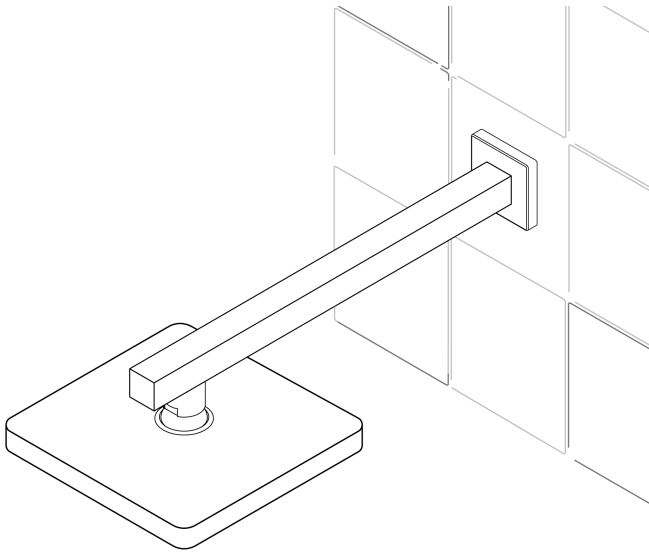
**Step 5:**



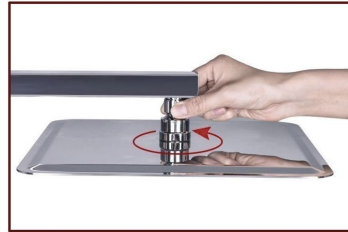
**Step 6:**



**Step 7:**



No tools required, G1/2" connector fits standard sized shower plumbing.



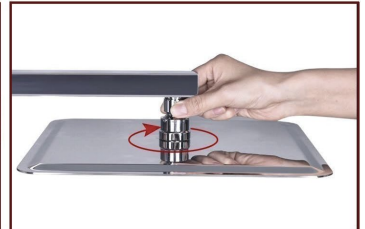
✓ Use your hands counterclockwise to unscrew the old showerhead and removed it.



✓ Take out the Hiendure Showerhead, make sure the shower filter is placed in the connector.



✓ Ensure the showerhead full horizontal alignment wall mounted shower arm thread



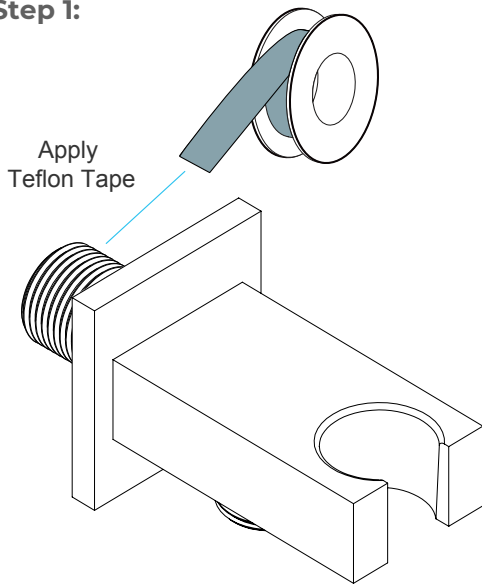
✓ Use your hands clockwise to tighten showerhead.

Product shown is only for installation display purpose

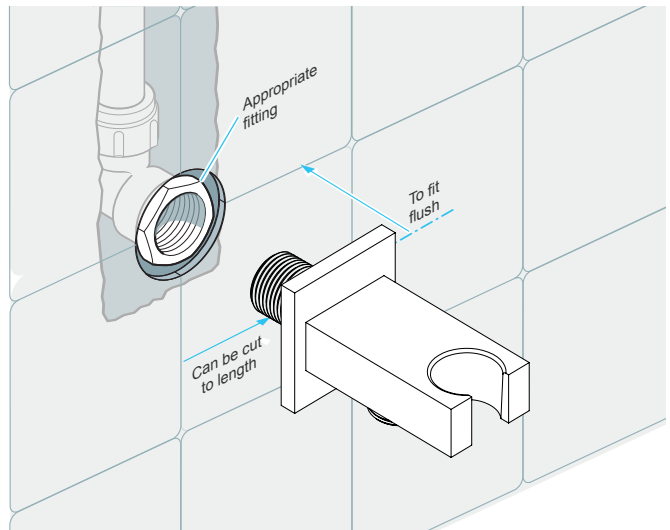
1. Apply plumber's tape to the threads on both ends of the shower arm and slide on the decorative escutcheon.
2. Insert the new arm into the fitting in the Wall and twist to tighten. Finish tightening with your adjustable wrench. Wrap a dry cloth around the shower arm to protect the finish while tightening with adjustable wrench.
3. Thread the new shower head onto the arm and hand-tighten. Hold the shower arm in place with groove joint pliers and finish tightening the shower head with your adjustable wrench. Wrap both in a dry cloth to protect the finish.
4. Before securing the decorative escutcheon, turn on the water supply to make sure that all connections are tight and there is no leaking. If no leaks are detected, continue with the installation. If leakage does occur, use your adjustable wrench to tighten the connections as necessary.
5. Apply a bead of silicone sealant to the back of the escutcheon and press firmly into place against the installation surface. Wipe away any excess sealant with your damp cloth.

## Hand Shower Installation Instructions

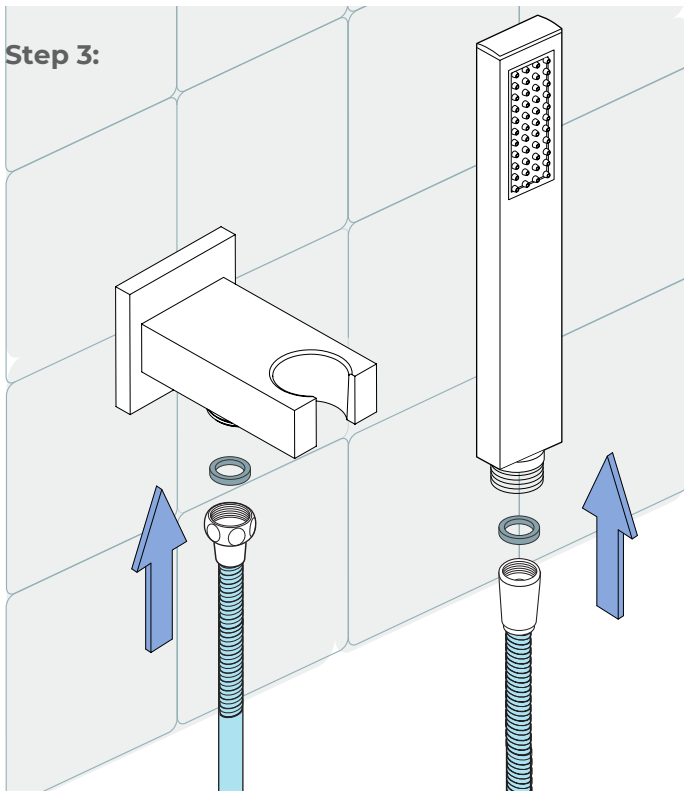
### Step 1:



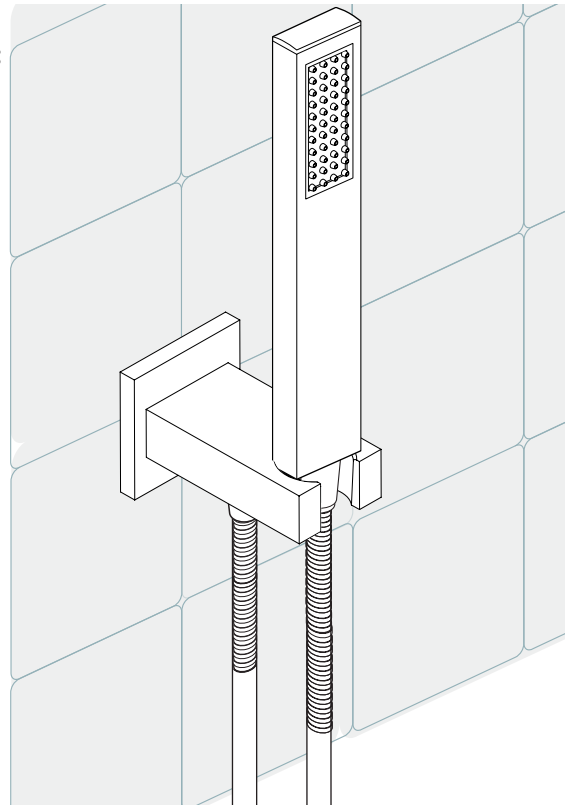
### Step 2:



### Step 3:



### Step 4:



### Hand Shower Outlet Installation

- Complete the outlet pipework ensuring it ends in an appropriate 15mm x 1/2" BSP female thread elbow.

**Note:** This fitting is not supplied as variations in installations require the selection of a suitable solder or compression fitting.

- Install the 'Wall Outlet', thread long male 1/2" BSP into the appropriate female fitting using PTFE tape to give a watertight joint.

**Note:** The thread can be cut to size if required. Make sure that all debris is removed from the connector and the section that has been cut is dressed correctly, before installation.

**Mixer Installations Instructions**

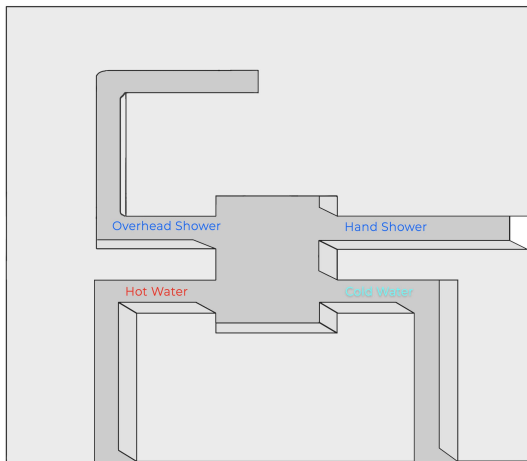
**Step 1**



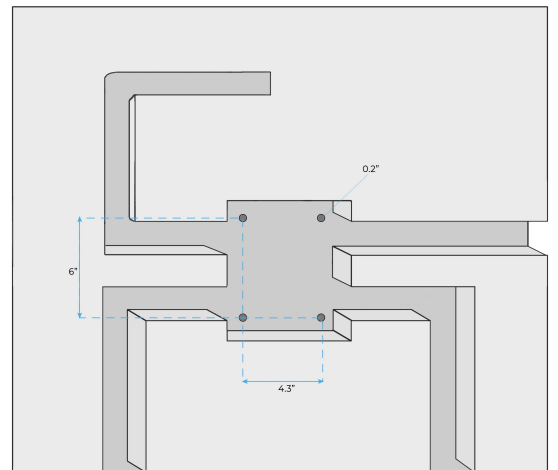
**Step 2**



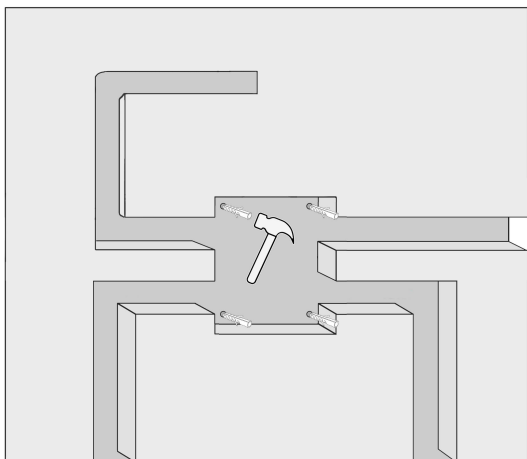
**Step 3**



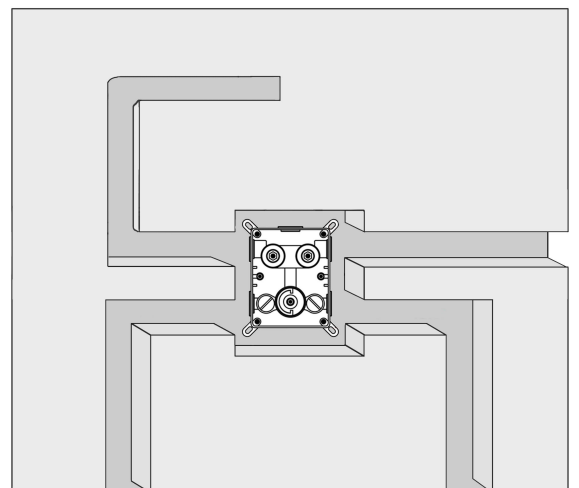
**Step 4**



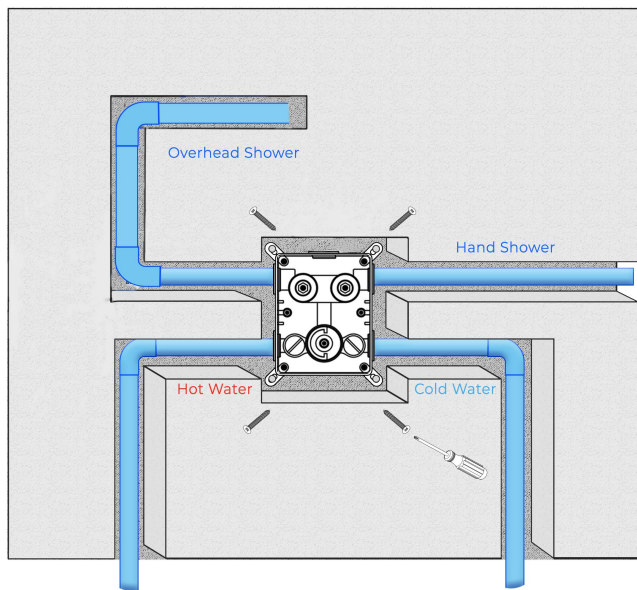
**Step 5**



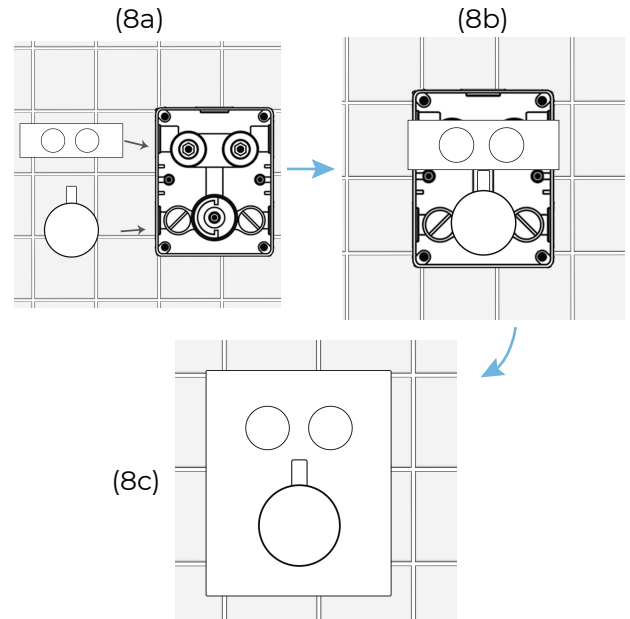
**Step 6**



### Step 7



### Step 8



- According to the basic picture of the product, refer to the above picture, open the wall to dig the main body embedded port, the hot and cold water inlet, and the mixed water outlet.
- Drill 4 6mm (0.2") holes with impact drill according to product size.
- Use a hammer to break four expanded capsules into the drilled holes.
- Connect each takeover, then connect the water source to confirm that there is no leakage.
- Adjust the embedded body to the horizontal line, and fix the embedded body on the wall with a cross screwdriver to lock the 4 self-tapping screws. Seal the pipeline with cement filler.
- Loosen the two M5 screws on the sheath counter-clockwise with a cross screwdriver and remove the sheath.

First, remove the color button of the constant temperature handwheel, loosen the main handwheel in the counterclockwise direction with the 2.5mm hex plate, and remove it. When taking out the constant temperature handwheel, do not turn the constant temperature handwheel to ensure that the constant temperature handwheel button is aligned with the 38-degree dial line on the panel.

- Tighten the three long poles on the key-value core, flatten the wall on the set, and cut off the extra parts with a cutting machine or blade to extend the positioning plate plane of the long rod. Then go to the positioning board and press the icon.
- Balance the panel on the main body. Put the accessories of the constant temperature handwheel in the opposite direction of the unloading on the main body, pay attention to the constant temperature handwheel installation to ensure that the valve core does not turn, the button direction is aligned with the direction of the outlet pipe.

## General Information

All products manufactured and supplied by BathSelect are safe and comply to legislative requirements. Providing they are installed correctly and receive regular maintenance in accordance with these instructions your user experience will not be affected.

## Care & Cleaning

1. The product can be cleaned with warm water, a mild soap and a clean soft cloth.
2. Clean progressively and gently.
3. It is not required to use any abrasive cleaning pads, wire wool or cloths to clean the product.
4. Avoid a vigorous cleaning action, as this could contribute to denaturing and dulling
5. Abrasive or strong cleaning products containing ammonia, bleaches, alcohol, dyes, acids (hydrochloric, formic, phosphorus, chlorine or acetic) will be not be affected.
6. If using a spray cleaner, apply the cleaning agent onto a soft cloth, never directly spray onto the product as the cleaner may enter gaps and openings and cause damage. Do not allow the cleaner to remain on the product for a period of time. After cleaning, rinse thoroughly with clean water.

