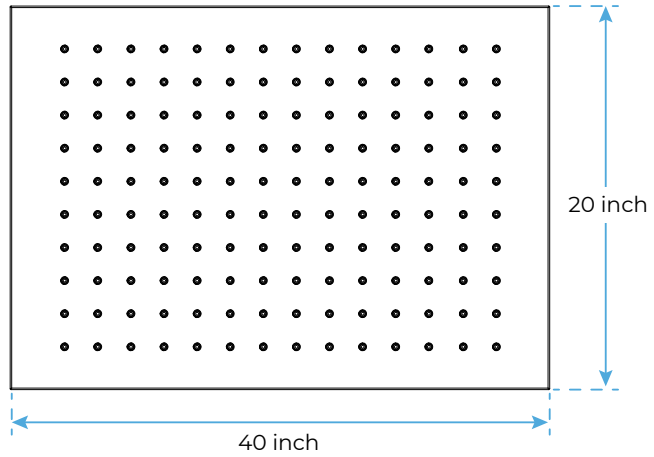


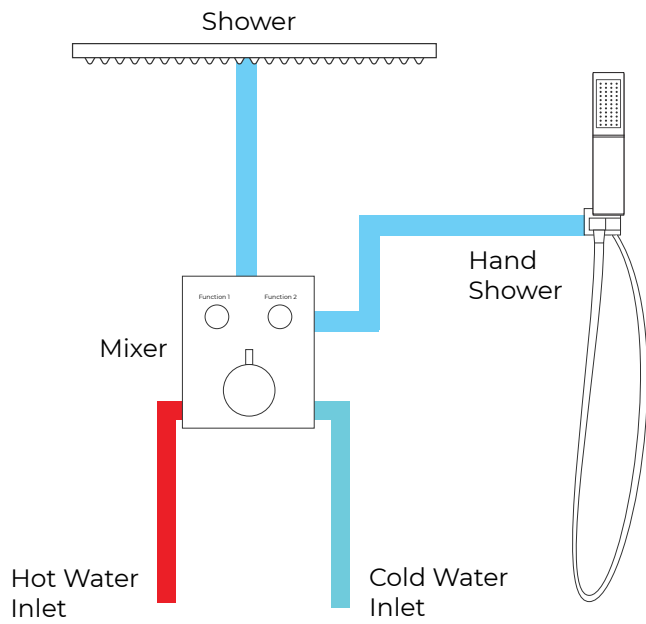
20*40 MATTE BLACK CEILING MOUNT SHOWER HEAD WITH 2-WAY CONCEALED THERMOSTATIC MIXER SHOWER SET WITH HANDHELD SHOWER SPECIFICATIONS



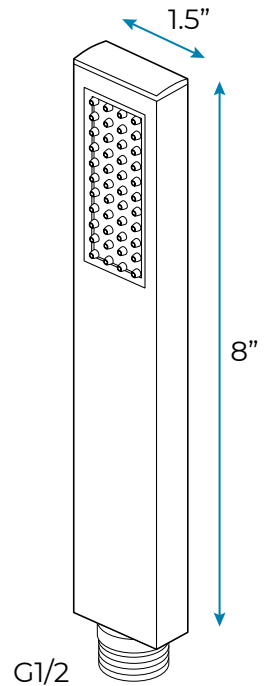
Shower Head



Mixer Connections



Hand Shower



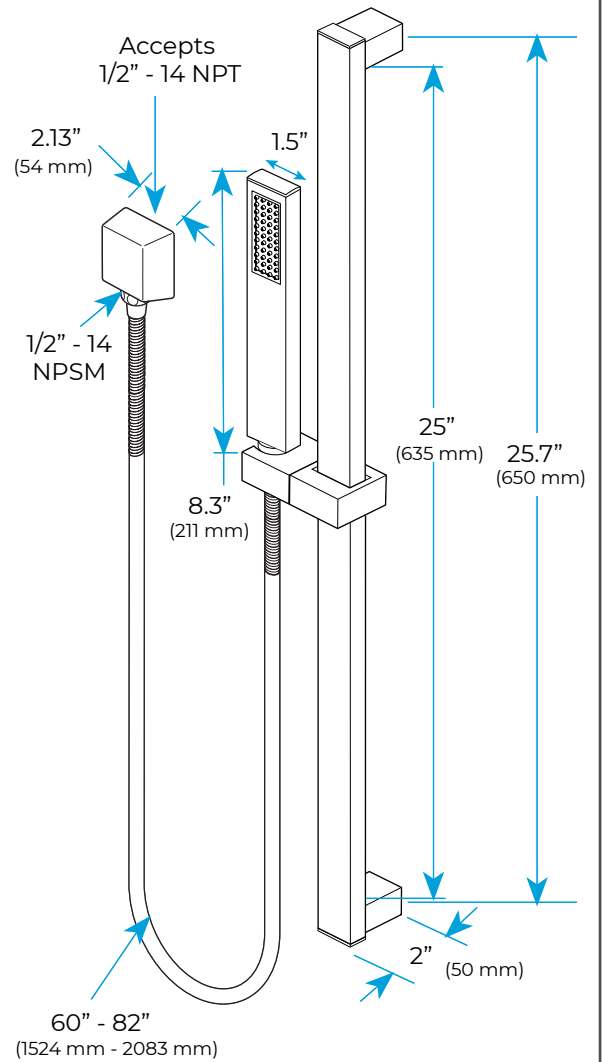
Flow Rate: 2.0 GPM / 7.6 LPM



All dimensions and specifications are nominal and may vary. Use actual products for accuracy in critical situations.

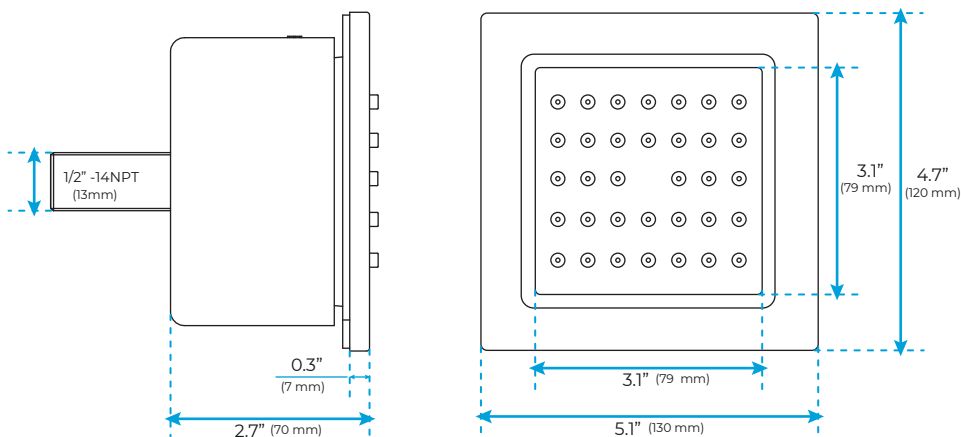
Shower Mixer

Hand Shower



Flow Rate: 2.0 GPM / 7.6 LPM

Body Jet



FEATURES

- Material: Brass
- Base Plate Height: 5-1/8"
- Base Plate Width: 5-1/8"
- Jet Surface Area: 3-1/8"
- Surface Depth: 1/4"
- Adjustment Angle: 5°
- Male NPT Connection: 1/2"
- Maximum Flow Rate: 2.5 GPM (9.5L/min) max @ 80 psi