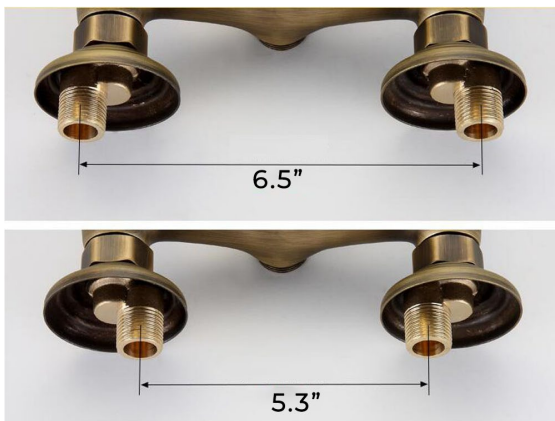


VINTAGE ROSE GOLD SHOWER SET DOUBLE HANDLE 8" RAINFALL SHOWER SYSTEM WITH HANDSHOWER SPECIFICATIONS



Total Height (cm): 120 (47.2")
 Showerhead Dimension: 8 inch (20 cm)
 Adjustable height(cm): 70-120 (27.5"-47.2")
 Distance of the center to center: 15 cm(6")
 (13.5cm-17cm 5.3"-6.7") can be adjustable
 Valve Type: Ceramic Valve
 Faucet Body Material: Brass
 Faucet Spout Material: Brass
 Hand Shower Material: Brass & ceramic
 Shower Head Material: Brass



*Shower head diameter 8" (203mm)
 *Shower arm spread 14.6" (370mm)
 *Adjustable height from 31"-47" (800mm-1200mm)

*Mixer diverter valve (Included)
 *The size between cold and hot pipe center is 5.9" (150mm) ,
 Adjustable 5.1"-6.7" (130mm-170mm).
 The default Connection Type: G1/2".

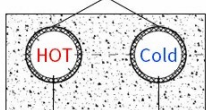
* 59" (1500mm) max extended hose/pipe for handheld shower



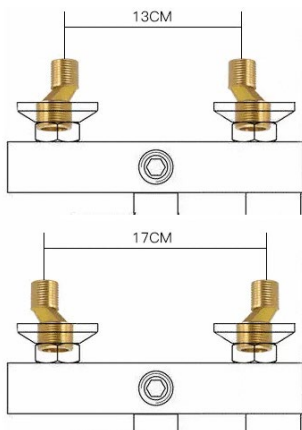
Flow Rate : 1.8 GPM / 6.8 LPM (rain Shower)



Buried water pipe



Suitable for Hole distance 13-17cm
 (Recommend use 15cm as the standard)



Product shown is only for installation display purpose