

BRAVAT WALL MOUNTED DARK OIL RUBBED BRONZE SQUARE SHOWER SET WITH THERMOSTATIC VALVE MIXER 3-WAY CONCEALED INSTALLATION INSTRUCTIONS



PRIOR TO INSTALLATION

Please read installation instructions below. All plumbing should be installed in accordance with applicable building codes and regulations.

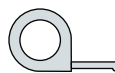
Unpack and inspect the items for any shipping damages. If you find damages, do not install.

All products must be installed by a professional and certified plumber otherwise warranty may be voided.

POSSIBLE TOOLS REQUIRED*



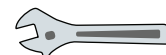
Plumbers Tape



Tape Measure



Level



Adjustable Wrench



Hex Wrench



Thread Sealant



Drill



Pencil or Marker

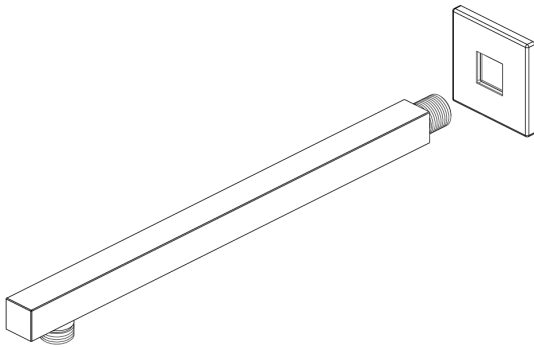


Screwdriver

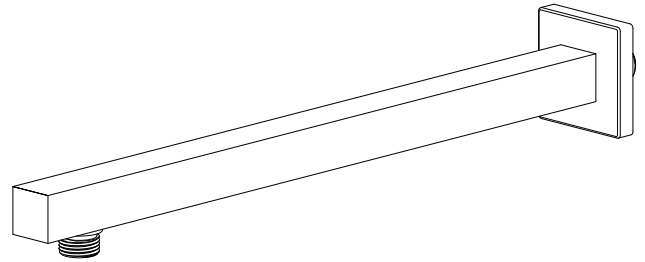
*not included

Wall Mount Shower Installations Instructions

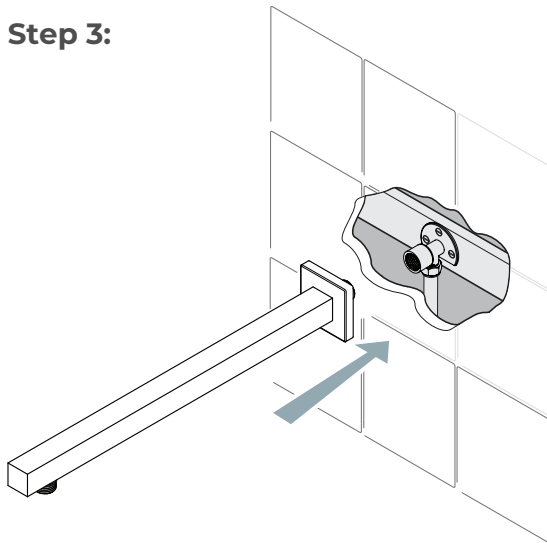
Step 1:



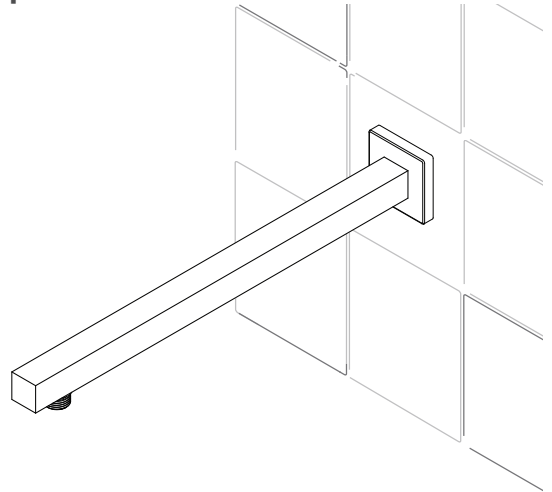
Step 2:



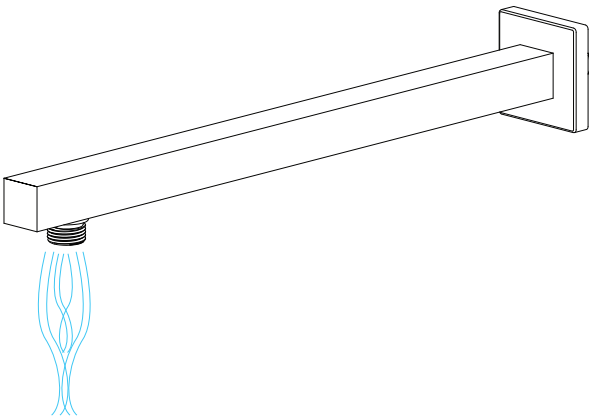
Step 3:



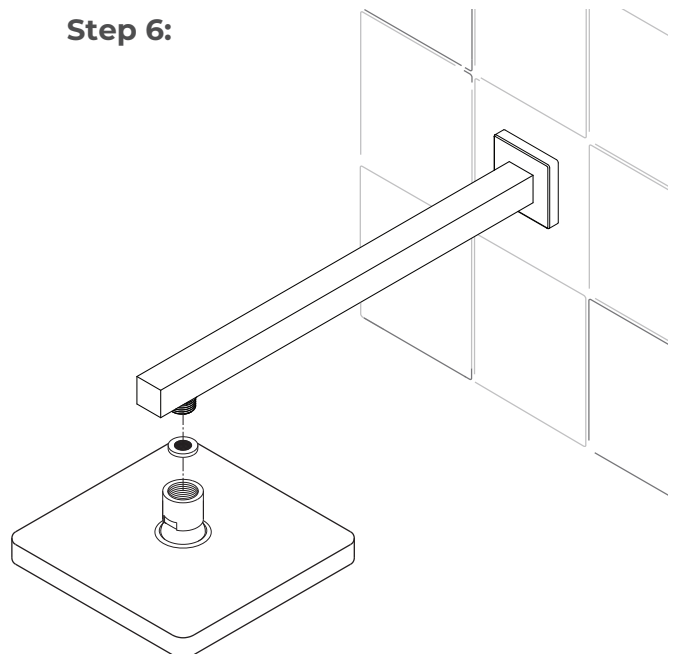
Step 4:



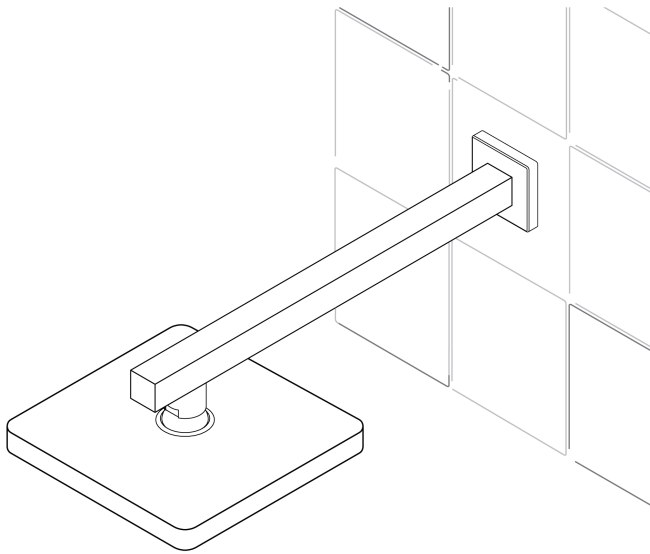
Step 5:



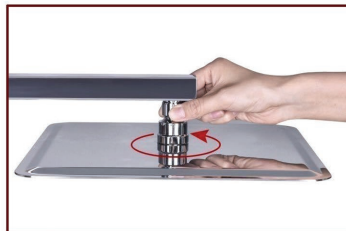
Step 6:



Step 7:

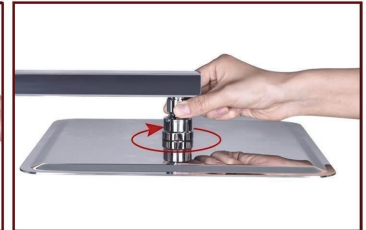


No tools required, G1/2" connector fits standard sized shower plumbing.



Use your hands counterclockwise to unscrew the old showerhead and removed it.

Take out the Hiendure Showerhead, make sure the shower filter is placed in the connector.

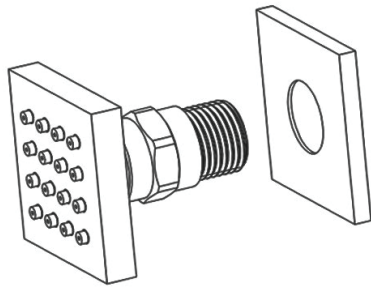


Ensure the showerhead full horizontal alignment wall mounted shower arm thread

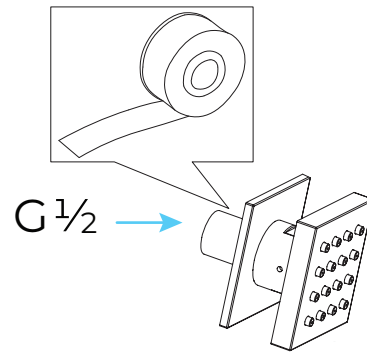
Use your heads clockwise to tighten showerhead.

1. Apply plumber's tape to the threads on both ends of the shower arm and slide on the decorative escutcheon.
2. Insert the new arm into the fitting in the Wall and twist to tighten. Finish tightening with your adjustable wrench. Wrap a dry cloth around the shower arm to protect the finish while tightening with adjustable wrench.
3. Thread the new shower head onto the arm and hand-tighten. Hold the shower arm in place with groove joint pliers and finish tightening the shower head with your adjustable wrench. Wrap both in a dry cloth to protect the finish.
4. Before securing the decorative escutcheon, turn on the water supply to make sure that all connections are tight and there is no leaking. If no leaks are detected, continue with the installation. If leakage does occur, use your adjustable wrench to tighten the connections as necessary.
5. Apply a bead of silicone sealant to the back of the escutcheon and press firmly into place against the installation surface. Wipe away any excess sealant with your damp cloth.

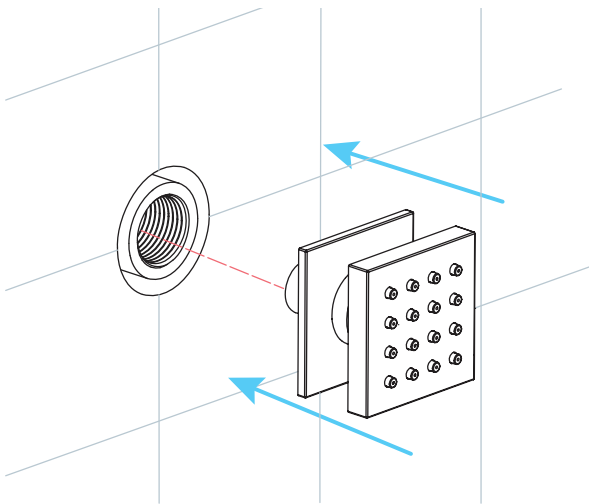
Body Jets Spray Installations Instruction



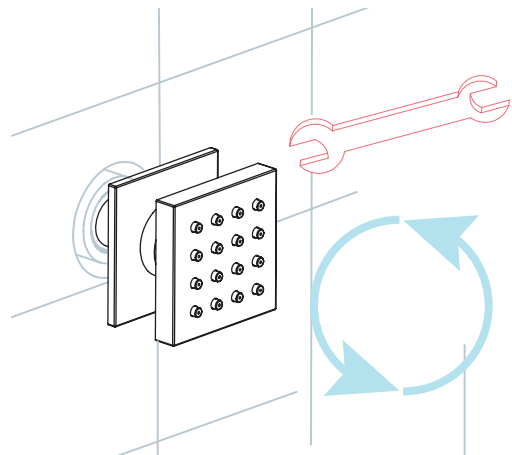
Step 1: Attach the escutcheon to the body spray.



Step 2: Apply teflon tape to threaded tail pipe of the body spray



Step 3: Press the escutcheon against the finished wall

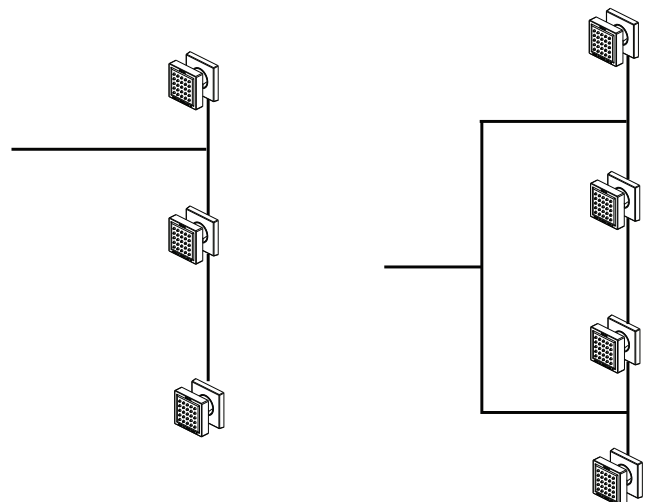


Step 4: Screw the Body spray tightly into the female of water Supply

Pressure Balancing Loop:

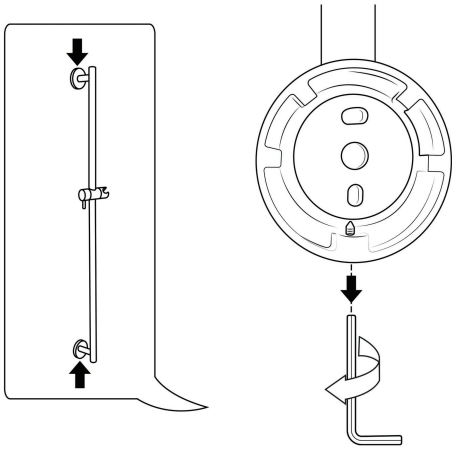
. If installing bodysprays in a bank of 3 or fewer, a pressure balancing loop is not necessary.

. If installing bodysprays in a bank of 4 or greater, a pressure balancing loop must be used to keep the pressure even between the bodysprays.

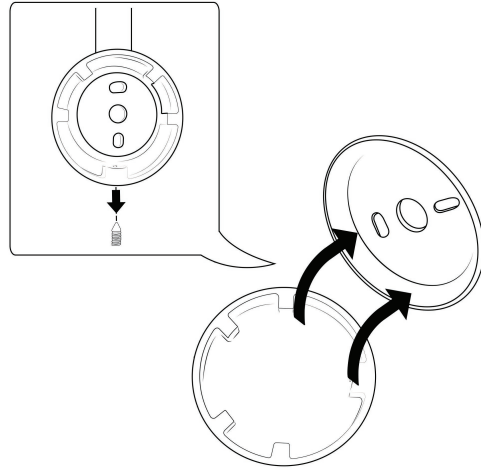


Hand-Held Shower Installations Instructions

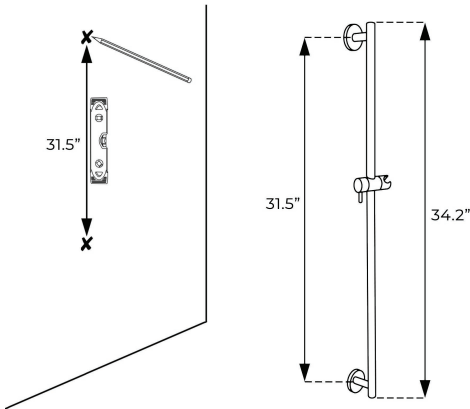
Step 1



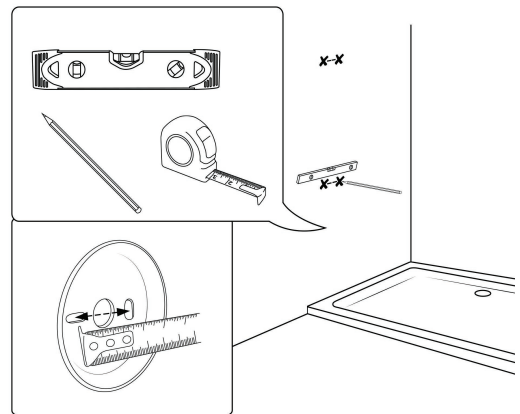
Step 2



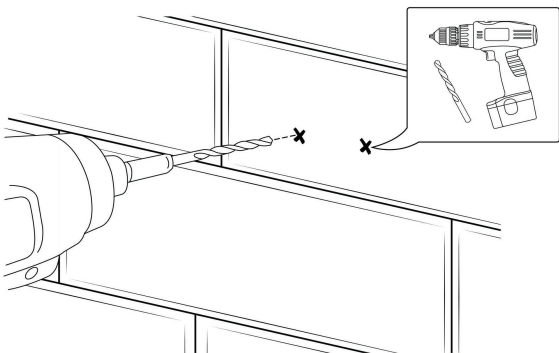
Step 3



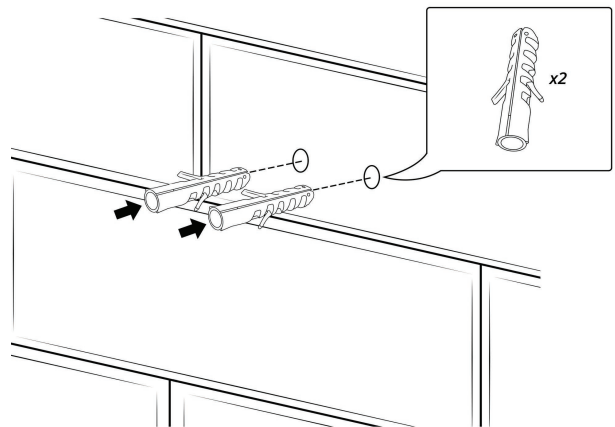
Step 4



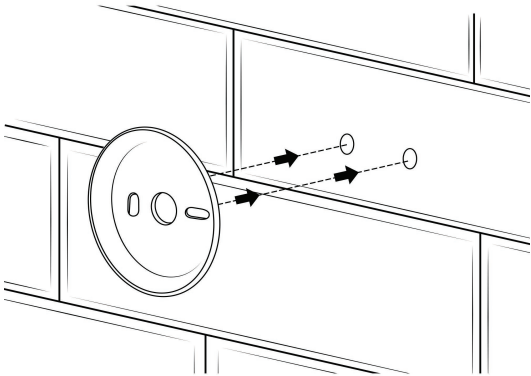
Step 5



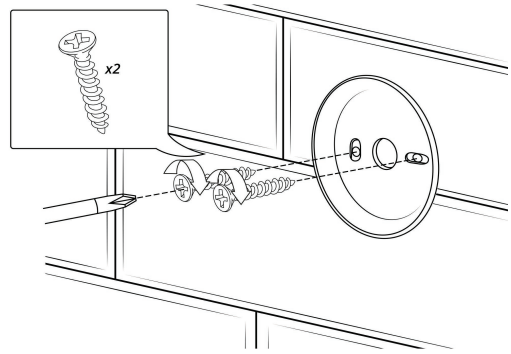
Step 6



Step 7

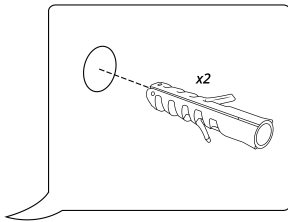


Step 8



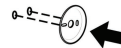
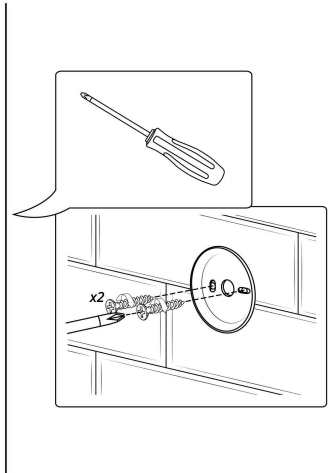
Step 9

⑩

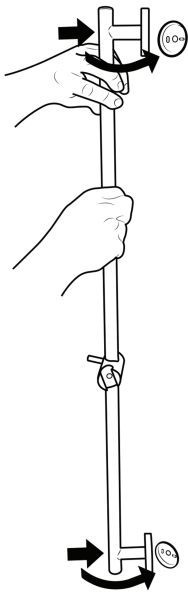


Step 10

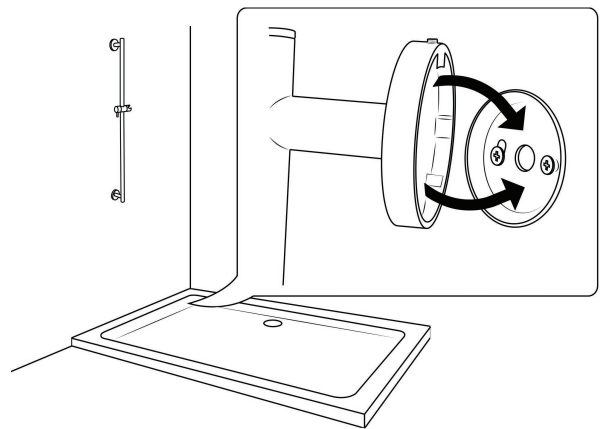
⑪



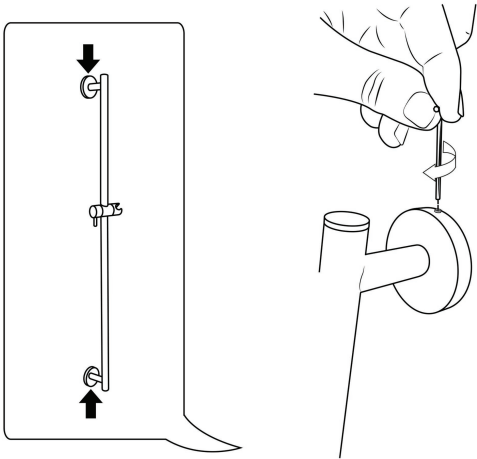
Step 11



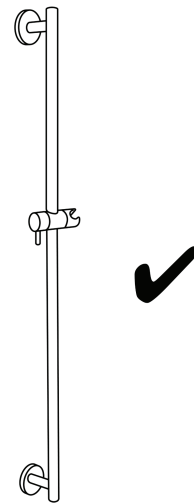
Step 12



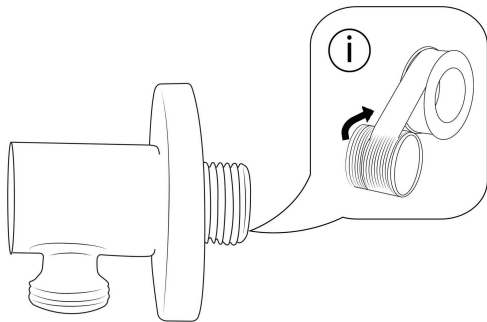
Step 13



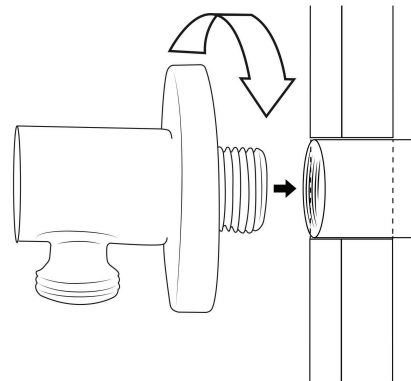
Step 14



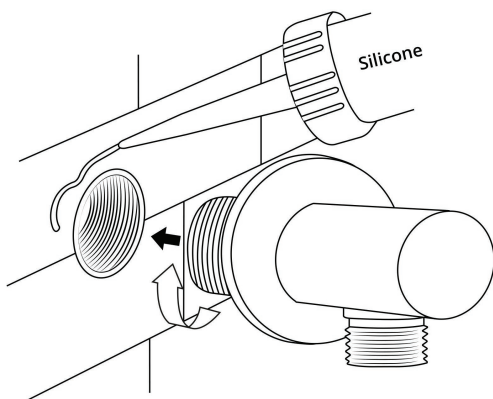
Step 15: (Hand Shower Elbow Installation)



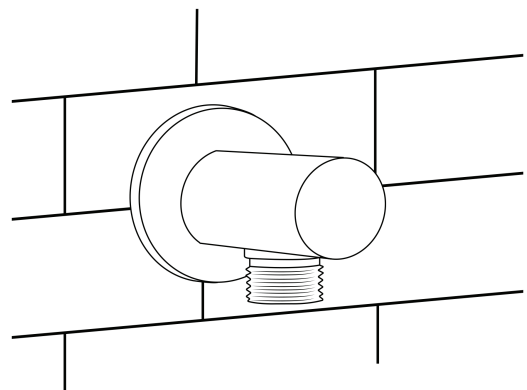
Step 16



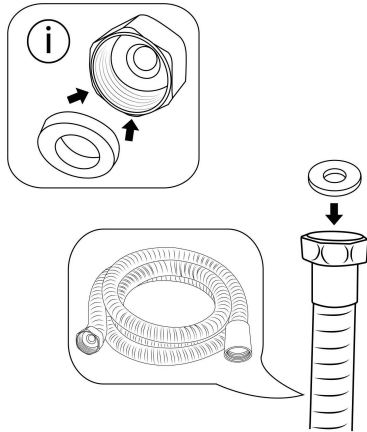
Step 17



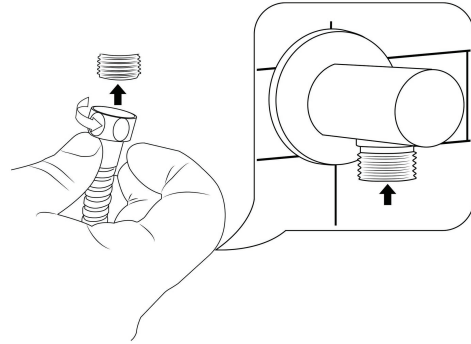
Step 18



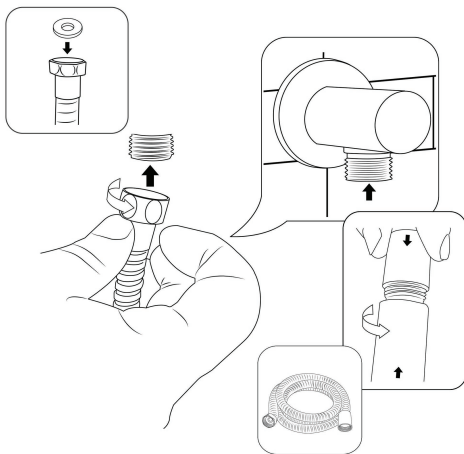
Step 19



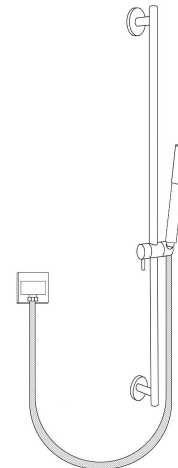
Step 20



Step 21



Step 22



Open The Closed Cover Of The Shower Holder And Take Out The Screws.

Drill Two Holes Size 0.2" (6mm) On The Wall According To The Hole Position Of The Shower Holder

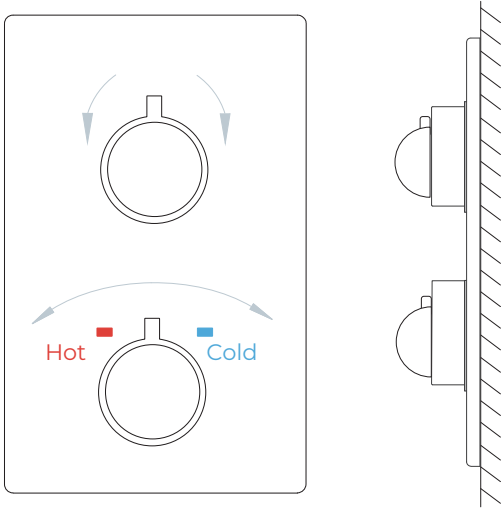
Use A Hammer To Break 2 Plastic Wall Plug Into Two Holes. Tighten The Screws With The Plastic Wall Plug And Locking With The Shower Holder.

Then Install The Closed Cover

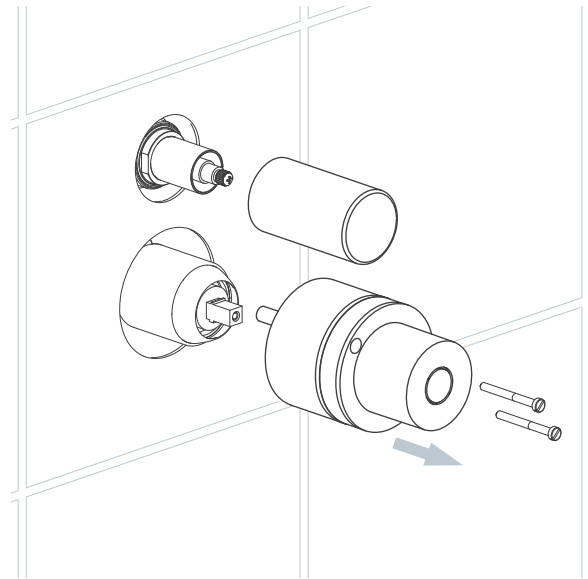
Connect The Shower Hose With The Water Outlet Connection Part And Hand Shower. Plug The Hand Shower In The Shower Holder.

Mixer Installations Instructions

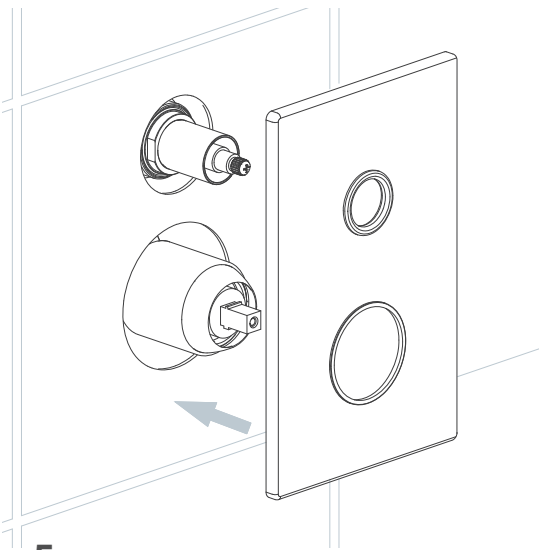
Step 1



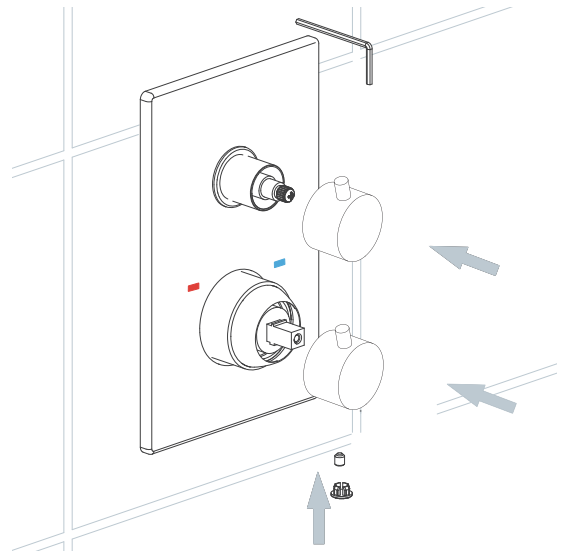
Step 2



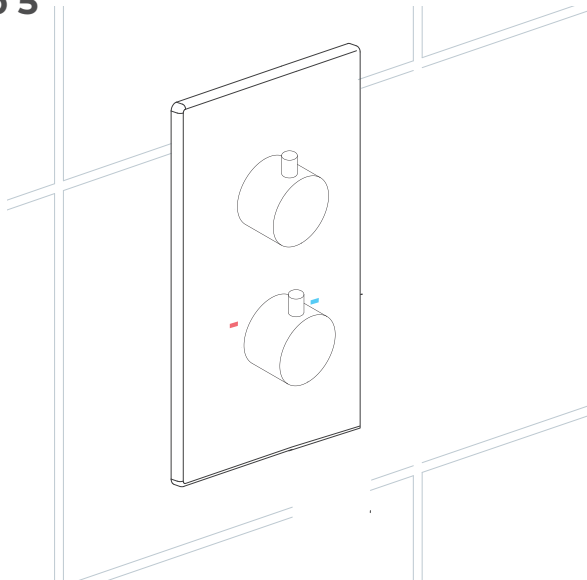
Step 3



Step 4



Step 5



General Information

All products manufactured and supplied by BathSelect are safe and comply to legislative requirements. Providing they are installed correctly and receive regular maintenance in accordance with these instructions your user experience will not be affected

Care & Cleaning

1. The product can be cleaned with warm water, a mild soap and a clean soft cloth.
2. Clean progressively and gently.
3. It is not required to use any abrasive cleaning pads, wire wool or cloths to clean the product.
4. Avoid a vigorous cleaning action, as this could contribute to denaturing and dulling
5. Abrasive or strong cleaning products containing ammonia, bleaches, alcohol, dyes, acids (hydrochloric, formic, phosphorus, chlorine or acetic) will be not be affected.
6. If using a spray cleaner, apply the cleaning agent onto a soft cloth, never directly spray onto the product as the cleaner may enter gaps and openings and cause damage. Do not allow the cleaner to remain on the product for a period of time. After cleaning, rinse thoroughly with clean water.

