

# SHOWER PANEL TOWER, RAINFALL WATERFALL SHOWER HEAD, 5 BODY JETS AND 3-FUNCTION HANDHELD SHOWER HEAD, 5 BODY JETS AND 3-FUNCTION HANDHELD SHOWER HEAD INSTALLATION INSTRUCTIONS



## PRIOR TO INSTALLATION

Please read installation instructions below. All plumbing should be installed in accordance with applicable building codes and regulations.

Unpack and inspect the items for any shipping damages. If you find damages, do not install.

All products must be installed by a professional and certified plumber otherwise warranty may be voided.

## POSSIBLE TOOLS REQUIRED\*



Plumbers Tape



Tape Measure



Level



Adjustable Wrench



Hex Wrench



Thread Sealant



Drill



Pencil or Marker

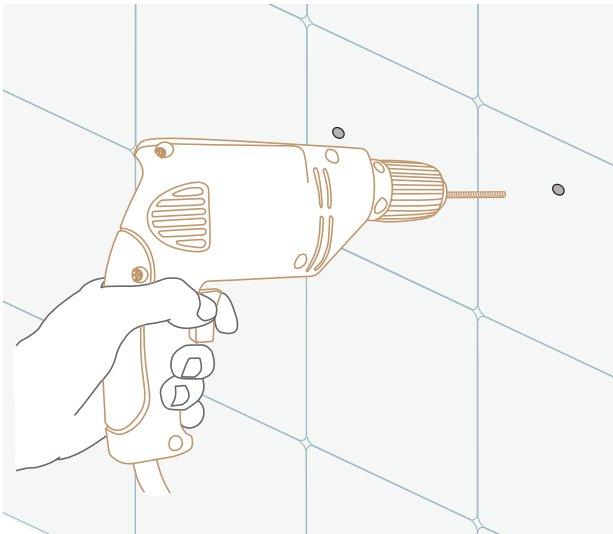


Screwdriver

\*not included

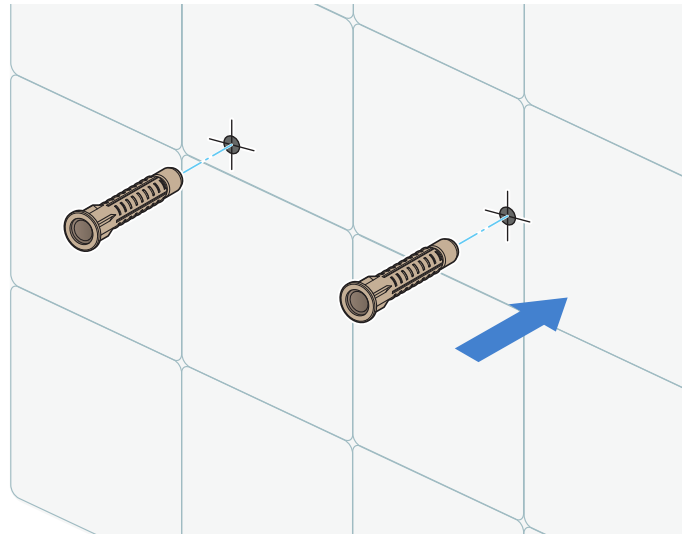
Installation Instructions

Step 1:



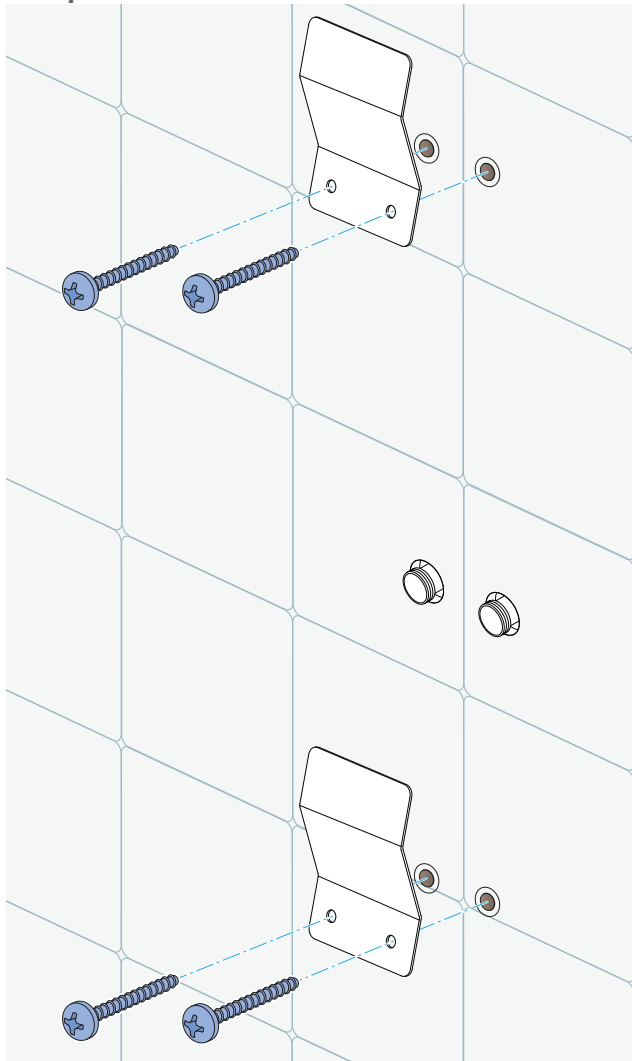
Drill holes in the wall

Step 2:



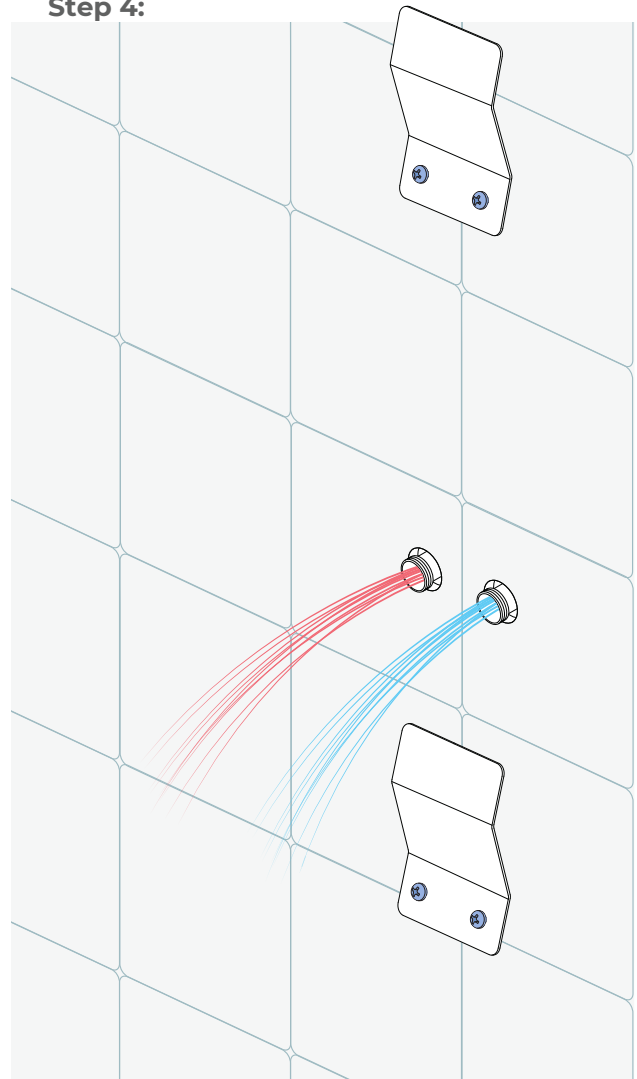
Insert the wall plugs inside the holes.

Step 3:



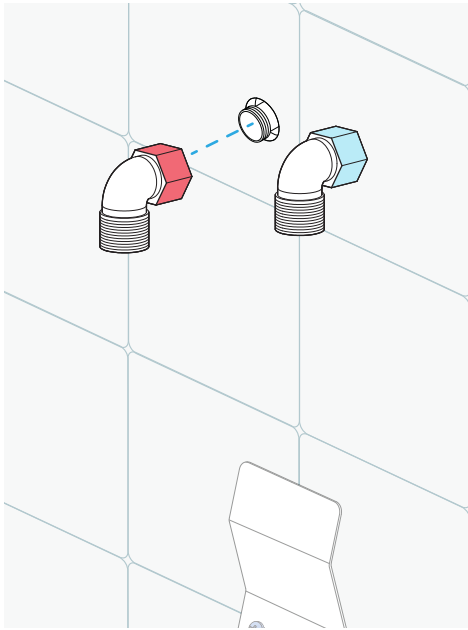
Tighten the screws to the wall with wall mounting brackets

Step 4:

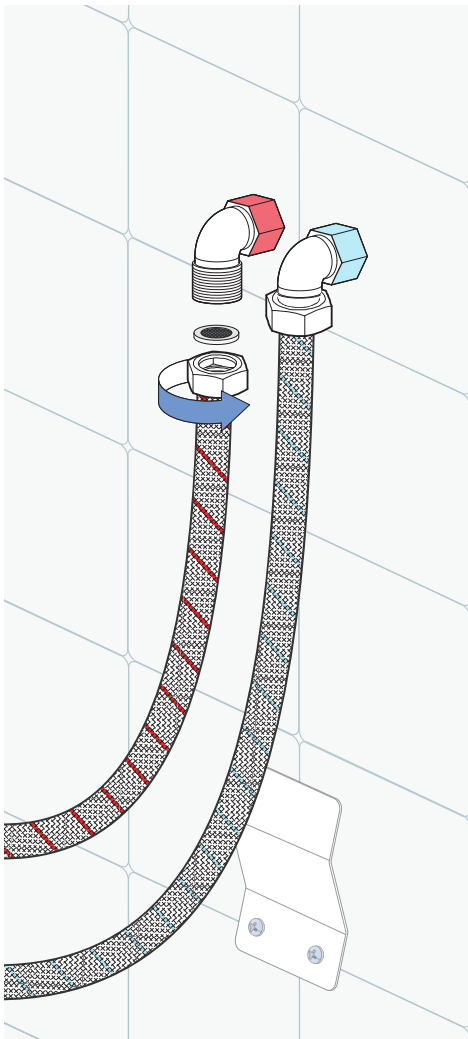


Check water hot and cold water supplies pipe.

**Step 5:**

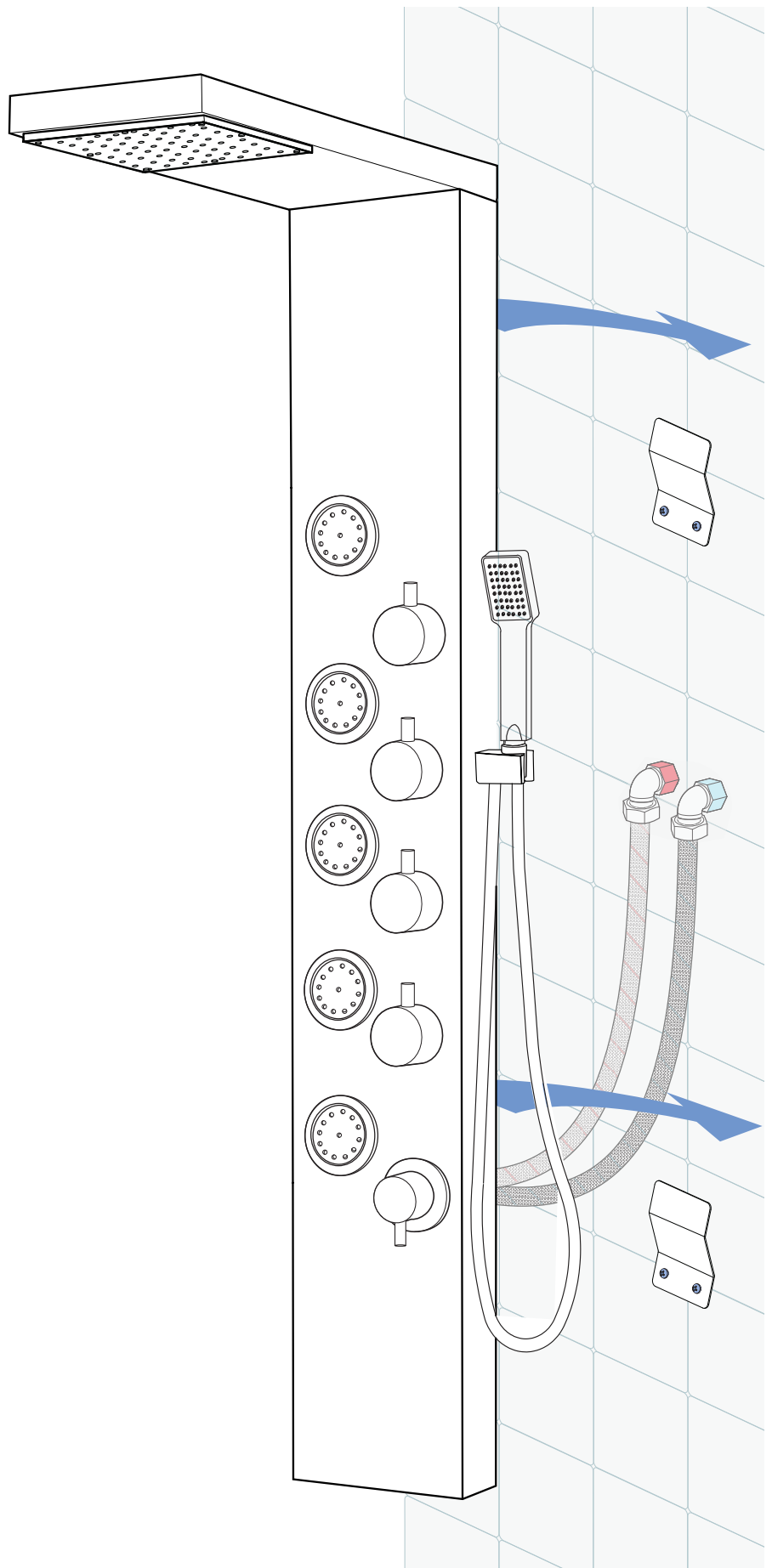


**Step 6:**



Connect hot and cold water pipe.

**Step 7:**



Hang the panel on the wall brackets.

## General Information

All products manufactured and supplied by BathSelect are safe and comply to legislative requirements. Providing they are installed correctly and receive regular maintenance in accordance with these instructions your user experience will not be affected.

## Care & Cleaning

1. The product can be cleaned with warm water, a mild soap and a clean soft cloth.
2. Clean progressively and gently.
3. It is not required to use any abrasive cleaning pads, wire wool or cloths to clean the product.
4. Avoid a vigorous cleaning action, as this could contribute to denaturing and dulling
5. Abrasive or strong cleaning products containing ammonia, bleaches, alcohol, dyes, acids (hydrochloric, formic, phosphorus, chlorine or acetic) will be not be affected.
6. If using a spray cleaner, apply the cleaning agent onto a soft cloth, never directly spray onto the product as the cleaner may enter gaps and openings and cause damage. Do not allow the cleaner to remain on the product for a period of time. After cleaning, rinse thoroughly with clean water.

