

# LIMAR GOLD POLISH SHOWER PANEL INSTALLATION INSTRUCTIONS



## PRIOR TO INSTALLATION

Please read installation instructions below. All plumbing should be installed in accordance with applicable building codes and regulations.

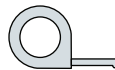
Unpack and inspect the items for any shipping damages. If you find damages, do not install.

All products must be installed by a professional and certified plumber otherwise warranty may be voided.

## POSSIBLE TOOLS REQUIRED\*



Plumbers Tape



Tape Measure



Level



Adjustable Wrench



Hex Wrench



Thread Sealant



Drill



Pencil or Marker

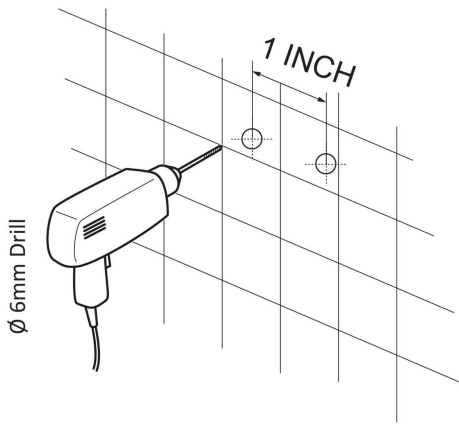


Screwdriver

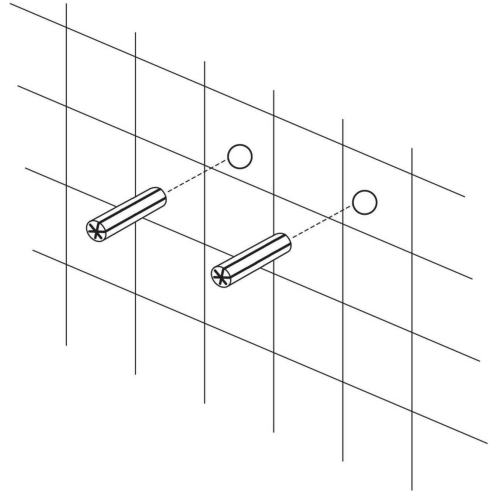
\*not included

## Installations Instruction

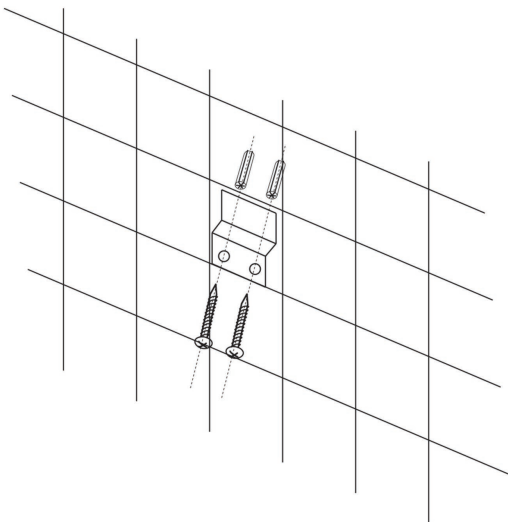
### Step 1:



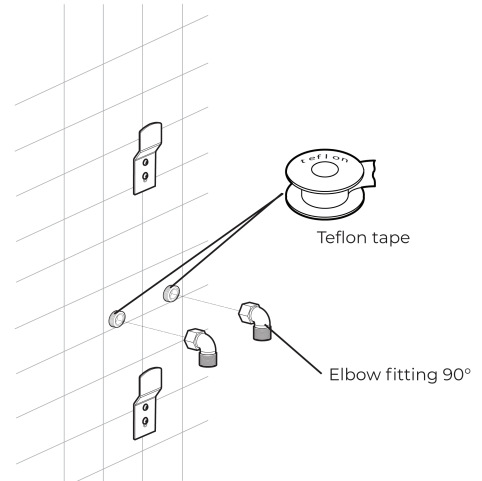
### Step 2:



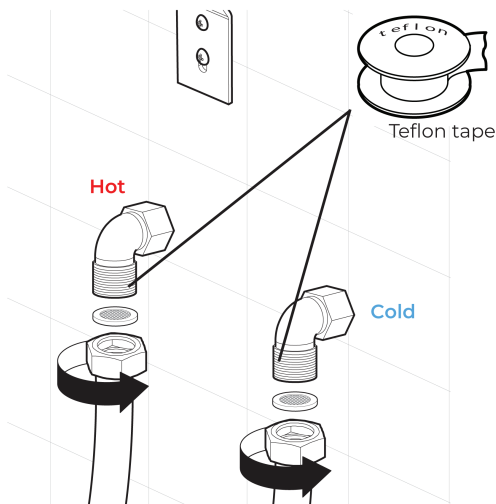
### Step 3:



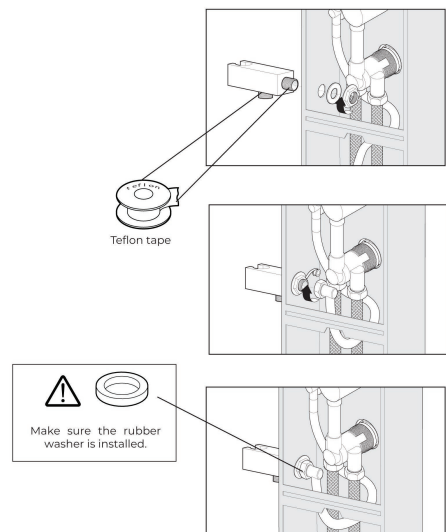
### Step 4:

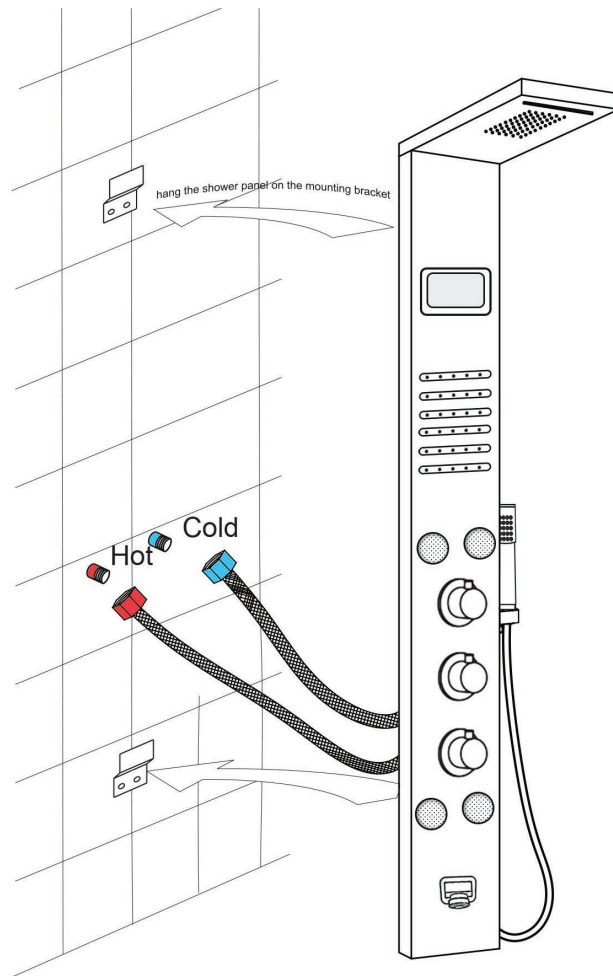


### Step 5:



### Step 6:





*( Images are for display purpose only and may vary from actual product )*

### **IMPORTANT**

Before drilling any holes for the shower panel brackets, ensure there are no hidden cables or pipelines aligned with the desired drilling position.

Drill the two holes for the top bracket 1" apart at the desired height.

Drill the two holes for the bottom bracket 1" apart at approximately 45" below the top bracket.

Insert the wall anchors into the pre-drilled holes as shown in Figure B.

Place the shower panel brackets aligned with the drilled holes and using a Philips screw-driver tighten the screws to secure the brackets.

Insert the shower wand holder through the pre-drilled hole on the shower panel.

Install the water supply hose for the shower wand onto the holder, as shown.

Make sure all O-rings are inserted to prevent leakage.

Once the shower panel is fully installed and hung on the bracket, you can install the shower wand hose to the holder connection.

Finally, install the hand shower to the hose.

Screw the cold and hot water hose from the shower panel to the supply lines in the wall. Carefully hang the shower panel on the secured mounting brackets.