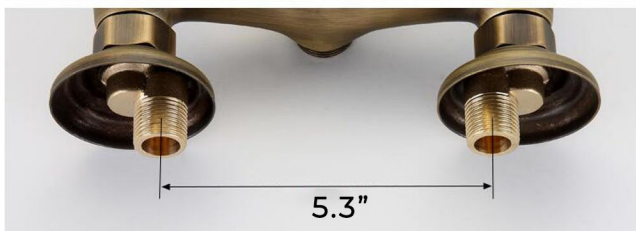


ANTIQUERED COPPER 8 INCH BATHROOM RAINFALL SHOWER HEAD SPECIFICATIONS



- *Shower head diameter 7.7" (195mm)
- *Shower arm spread 14.6" (370mm)
- *Adjustable height from 31"-47" (800mm-1200mm)

- *Mixer diverter valve (Included)
- *The size between cold and hot pipe center is 5.9" (150mm) , Adjustable 5.1"-6.7" (130mm-170mm).
- Connection Type: G1/2".

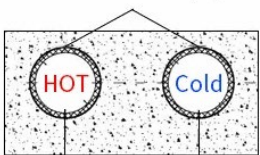
- * 59" (1500mm) max extended hose/pipe for handheld shower



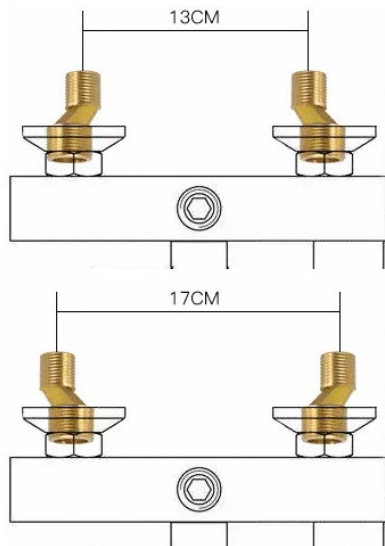
Flow Rate : 1.8 GPM / 6.8 LPM (rain Shower)



Buried water pipe



Suitable for Hole distance 13~17cm
 (Recommend use 15cm as the standard)



Product shown is only for installation display purpose