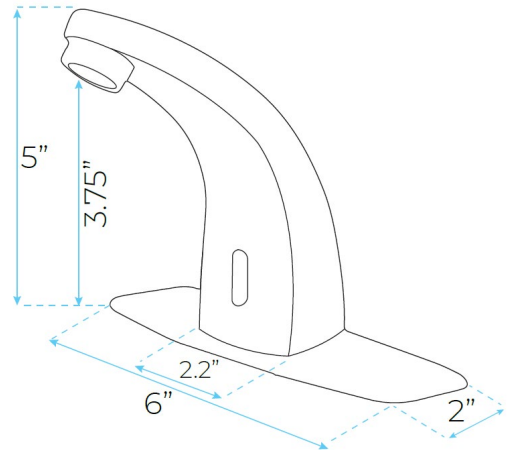


## LANO TOUCHLESS BATHROOM COMMERCIAL AUTOMATIC FAUCET BRUSHED NICKEL FINISH SPECS



### SPECS:

Diameter of inlet pipe: DN75

Diameter of outlet pipe: DN75

Water Pressure: 0.05 Mpa - 0.7 Mpa, 70 - 725

psi Power and Voltage: DC 6V / AC 220V - 50/60Hz Power Consumption: 0.5MW / <2W

Detection Zone: Factory set 25cm/70" (based on standard inductive board)

Ambient Temperature: 7 - 45 °C / 33.8 -77.3

°F Degree of protection by enclosure: IP56

Battery: 4 x 'AA' size cells

Operational water pressure: 0.05 - 0.6M Pa

US standard water supply pipe size: DN75 (1/2")

Ambient temperature range: 0.7 - 45 °C

Sensing distance: 9.84" (25cm)

Operation duration: Power will automatically cut off after continuous use for 60 seconds

