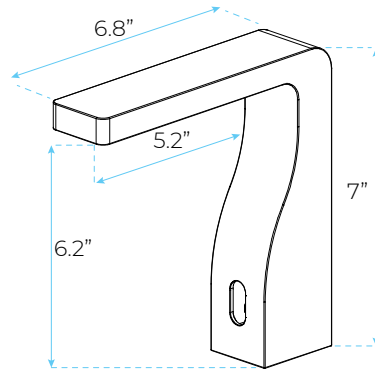


BRAVAT COMMERCIAL AUTOMATIC BRUSHED NICKEL SENSOR FAUCETS SPECS



SPECS:

Power: DC:6V(4AA alkaline battery)

AC:220V-240V; 50/60HZ

Detection Zone: 16-32 cm or adjustable

Motor valve lifespan: up to 500000 flushes

Battery lifespan: 100000 cycles

Static Power Consumption: 0.36mw

Working Power consumption: 0.5mw

Inductive Opening Time: < 1 second

Inductive Closing Time: < 2 second

Flow rate at 3 bar flow pressure for basin:

≥ 12

L/min

Flow pressure: min. 0.5 bar -

recommended 1 –

5 bar

Operating pressure: max. 10 bar

Test pressure: 16 bar

