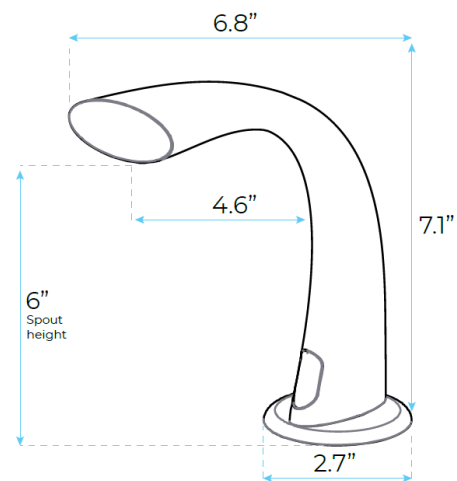


BRAVAT COMMERCIAL AUTOMATIC ELECTRICAL SENSOR FAUCET D648C IN CHROME SPECS



Specs:

- Infrared control
- Brass Body
- Neoperl , Aerator
- ABS control box
- Sense distance: 16 ~ 20cm (\pm 15%)
- Power: battery 1.5V-AA · 4 pcs
- AC: Input 220V / 50HZ
- Finish: Chrome
- Temperature adjustable 4 °C ~ 75 °C
- Flow rate: 8.3L / min @ 0.3 MPa
- Dia.of inlet / outlet pipe: G1/2"
- Flux: \geq 0.07L/S
- Finish: Chrome



[Visit Product Page](#)