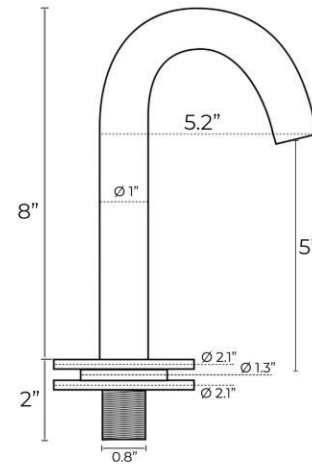


## GENEVA DECK MOUNTED SMART TOUCH SENSOR FAUCET DARK OIL RUBBED BRONZE FINISH SPECS



### Specs:

- Water Consumption: 0.05Mpa-0.6Mpa
- Detect ion Zone: 16-32 cm or adjustable
- Motor valve lifespan: up to 500000 flushes
- Battery lifespan: 100000 cycles
- Static Power Consumption: 0.36mw
- Working Power consumption: 0.5mw
- Inductive Opening Time: < 1 second
- Inductive Closing Time: < 2 second
- Dia.of inlet / out let pipe: G1/2"
- Flux :  $\geq 0.07$  L / S
- Temperature: 0.1-50°C

[Visit product Page](#)