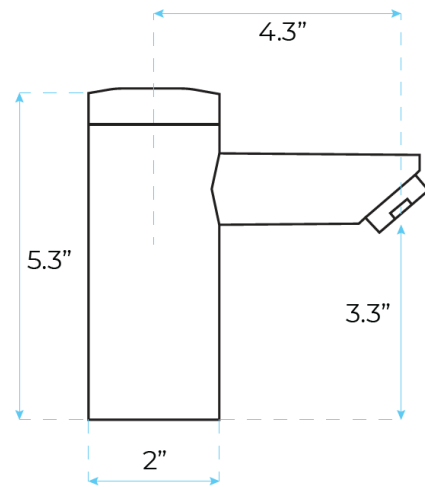


GEORGIA DECK MOUNT COMMERCIAL SENSOR FAUCET CHROME FINISH SPECS



Specs:

- Flow Rate: 0.35 gpm (1 Lpm)
(0.35GPM)
- Spray Type: Multi-Laminar
(MLM)
- Sensor Type: Infrared (IR)
- Mounting Type: Single Hole ()
- Power Supply: Solar (SOL)
- Temperature Mixer: Mixer Not
Included ()
- Finish: Polished Chrome (CP)
- Factory Default Timeout: 30s
- Factory Default GPC: 0.175
- Flux: □□0.07L/S
- Dia.of inlet / outlet pipe: G1/2"
- Battery lifespan: 100000 cycles



[Visit Product page](#)