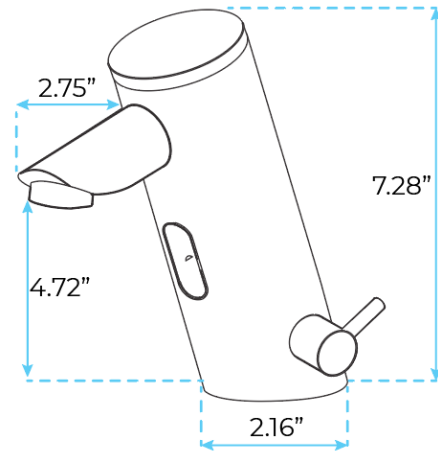
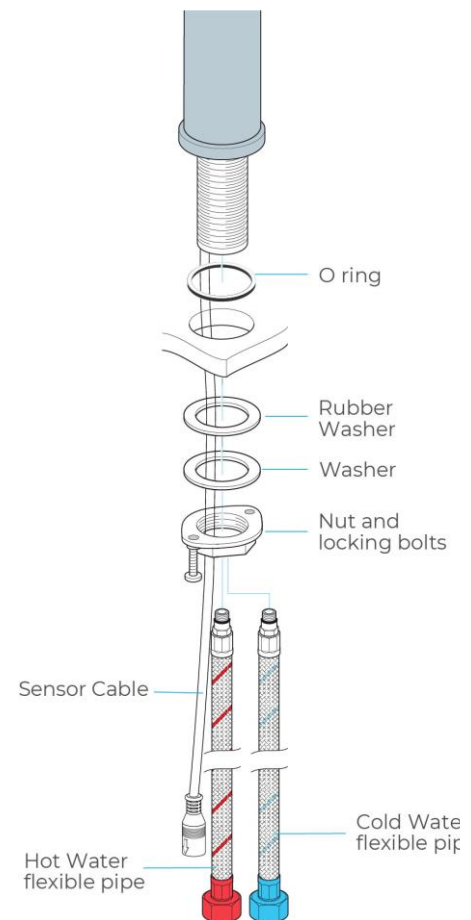


BATHSELECT ALL-IN-ONE THERMOSTATIC AUTOMATIC COMMERCIAL SENSOR FAUCET B5125 DARK OIL RUBBED BRONZE FINISH SPECS



Specs:

- Power: DC:6V(4AA alkaline battery)
- AC:220V-240V; 50/60HZ
- Flow rate: 1.8 GPM (6.81 L / min)
- Detection Zone: Factory set 30cm
- Battery lifespan: 100000 cycles
- Power consumption in static: <0.5 mW
- Working Power consumption: 0.5mw
- Inductive Opening Time: < 1 second
- Inductive Closing Time: < 2 second
- Dia.of inlet / outlet pipe: G1/2"
- Temperature: 0.1-50°C
- Suitable Water Pressure: 0.3-1.2MPa



[Visit Product Page](#)