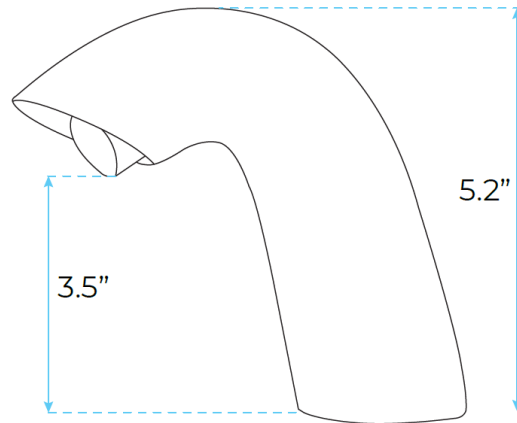


CONTO COMMERCIAL AUTOMATIC HANDS FREE FAUCET OIL RUBBED RUBBED BRONZE SPECS



Specs:

- Power: DC:6V(4AA alkaline battery)
- AC:220V-240V; 50/60HZ
- Water Consumption: 0.05-1.6Mpa
- Detection Zone: 5-35 cm or adjustable
- Motor valve lifespan: up to 500000 flushes
- Battery lifespan: 100000 cycles
- Static Power Consumption: 0.36mw
- Working Power consumption: 0.5mw
- Inductive Opening Time: < 1 second
- Inductive Closing Time: < 2 second
- Dia.of inlet / outlet pipe: G1/2"
- Flux: $\geq 0.07\text{L/S}$
- Test Range : 0.2-5 Bar
- Min. Operating Pressure: 1.0 BAR MP



Other Details

[Product Details](#)