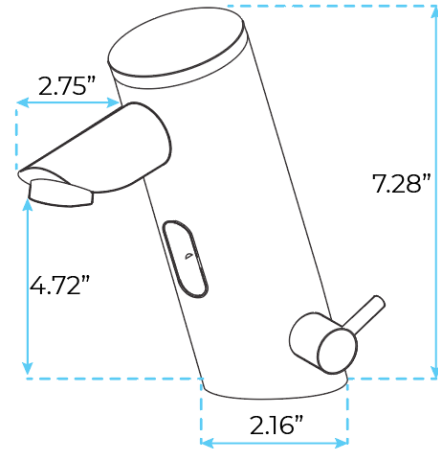
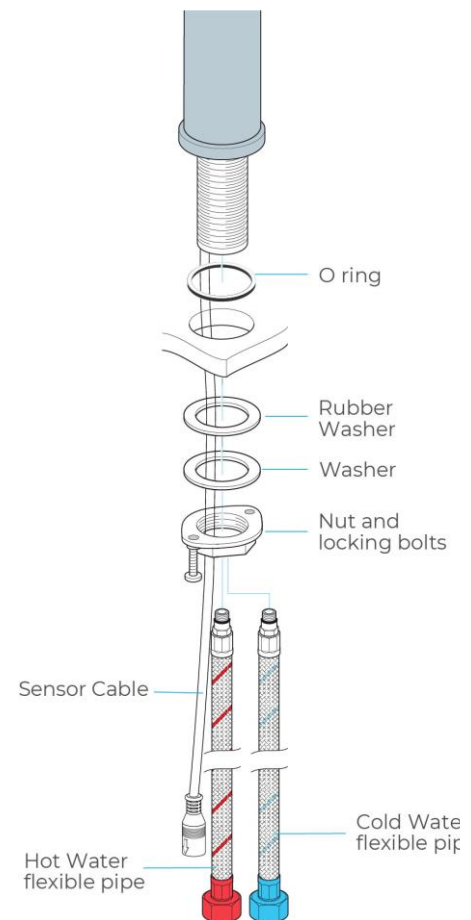


BATHSELECT PLATINUM THERMOSTATIC COMMERCIAL AUTOMATIC MOTION SENSOR FAUCET SOLID BRASS CONSTRUCTION IN OIL RUBBED BRONZE/MATTE BLACK SPECS



Specs:

- Power: DC:6V(4AA alkaline battery)
- AC:220V-240V; 50/60HZ
- Detection Zone: 25 cm (Self-adjustable)
- Motor valve lifespan: up to 500000 flushes
- The weakness of the battery: Red LED on
- Static Power Consumption: 0.36mw
- Working Power consumption: 0.5mw
- Response time: 0.3 seconds (default)
- Time delay: 0.5 seconds (default)
- Dia.of inlet / outlet pipe: G1/2"
- Ambiance Temp Range: 0.1 ~ 60c Degree
- Dia of installing faucet: 33~35mm
- Work pressure: 0.05 ~ 0.7 mPa
- Flow Rate: 1.3 GPM (gallons-per-minute)



[Visit Product Page](#)