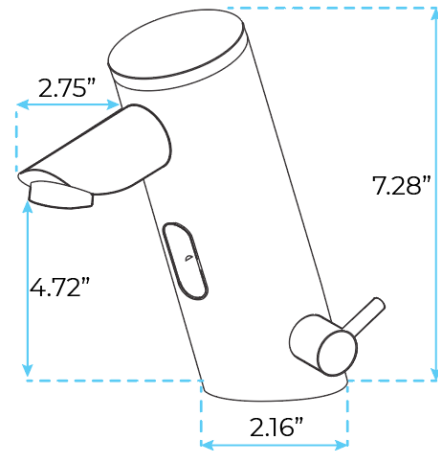
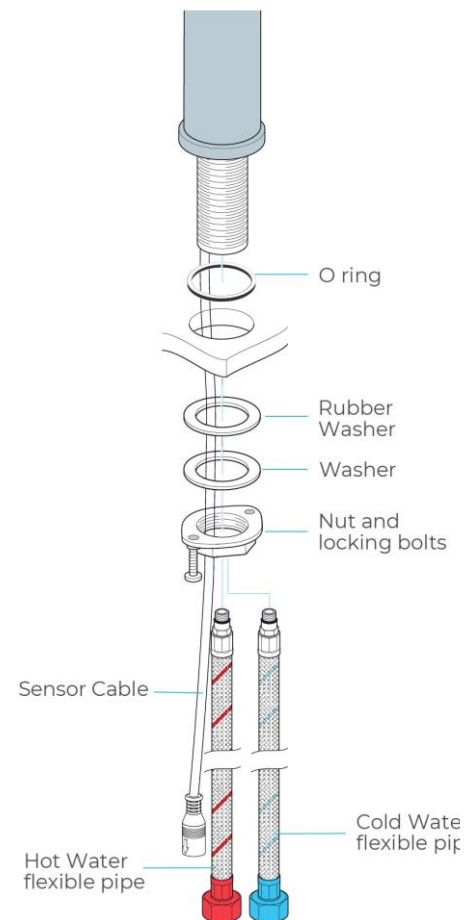


BATHSELECT THERMOSTATIC TEMPERATURE CONTROL AUTOMATIC COMMERCIAL BRUSHED NICKEL SENSOR FAUCET SOLID BRASS CONSTRUCTION SPECS



Specs:

- Power: DC:6V(4AA alkaline battery)
- AC:220V-240V; 50/60HZ
- Water Consumption: 0.3-1.2 MPa
- Detection Zone: 16-32 cm or adjustable
- Motor valve lifespan: up to 500000 flushes
- Battery lifespan: 100000 cycles
- Static Power Consumption: 0.36mw
- Working Power consumption: 0.5mw
- Inductive Opening Time: < 1 second
- Inductive Closing Time: < 2 second
- Dia.of inlet / outlet pipe: G1/2"
- Flux: $\geq 0.07\text{L/S}$
- Temperature: 0.1-50°C
- Flow Rate: 1.8 GPM (6.81 L/min)



[Visit Product Page](#)