

LYON WIDESPREAD BATHROOM SINK FAUCET CRYSTAL HANDLES MIXER GOLD INSTALLATION INSTRUCTIONS



BEFORE YOU BEGIN

Before you begin, please read the installation instructions below. Observe all local building and safety codes.

Unpack and inspect the items for any shipping damages. If you find damages, do not install.

Please note all products must be installed by a professional and certified plumber otherwise warranty might be voided.

POSSIBLE TOOLS REQUIRED*



Plumbers Tape



Tape Measure



Level



Adjustable Wrench



Hex Wrench



Thread Sealant



Drill



Pencil or Marker



Screwdriver

*not included

Technical Information

Power: DC:6V(4AA alkaline battery)
AC:220V-240V; 50/60HZ

flow rate: 1.5 GPM

Dia.of inlet / outlet pipe: G1/2"

Flux: $\geq 0.07L/S$

Temperature: 0.1-50°C

Dia of installing faucet: 32~38mm

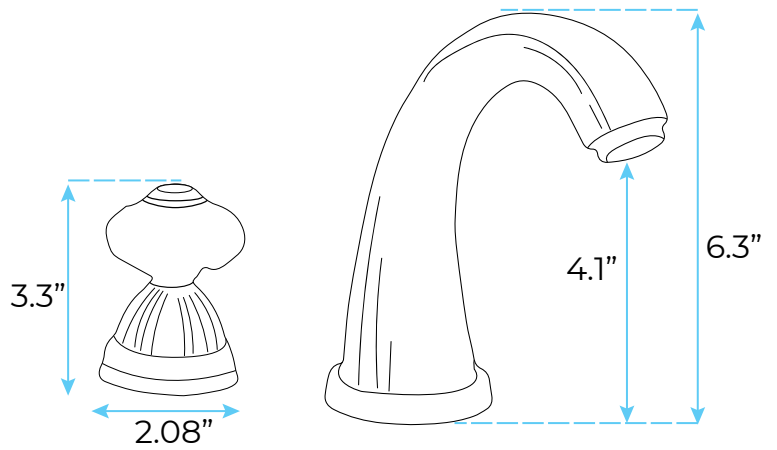
Faucet height: 6.3"

Spout height: 4.1"

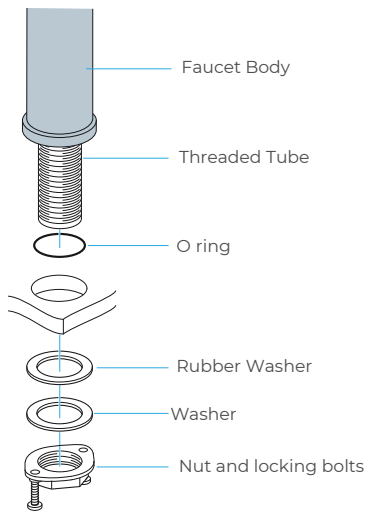
Mixer handle height: 3.3"

Mixer handle width: 2.08"

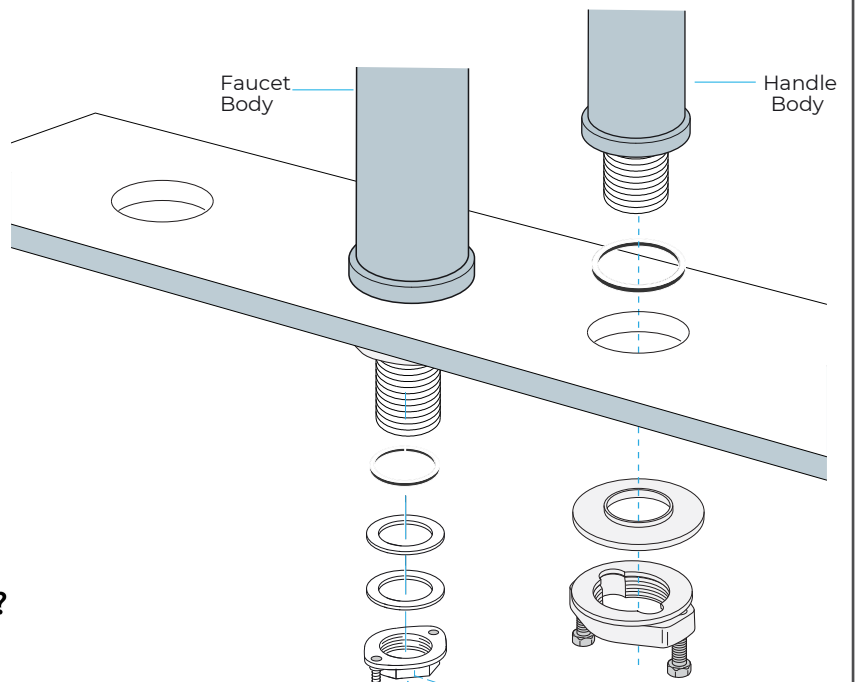
Faucet Size



Faucet Deck Mount Installation

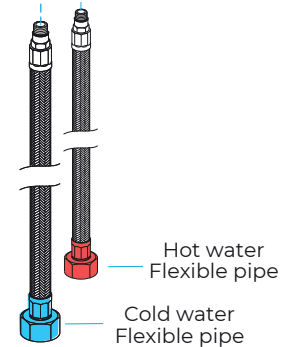
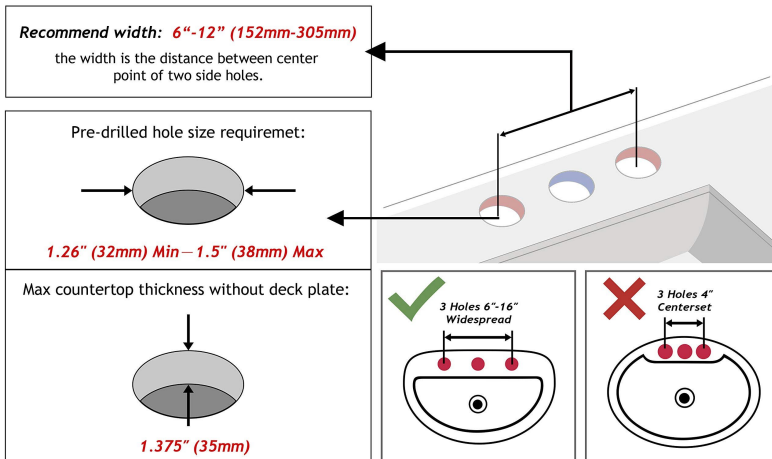


Step 1:



Hole Size Chart

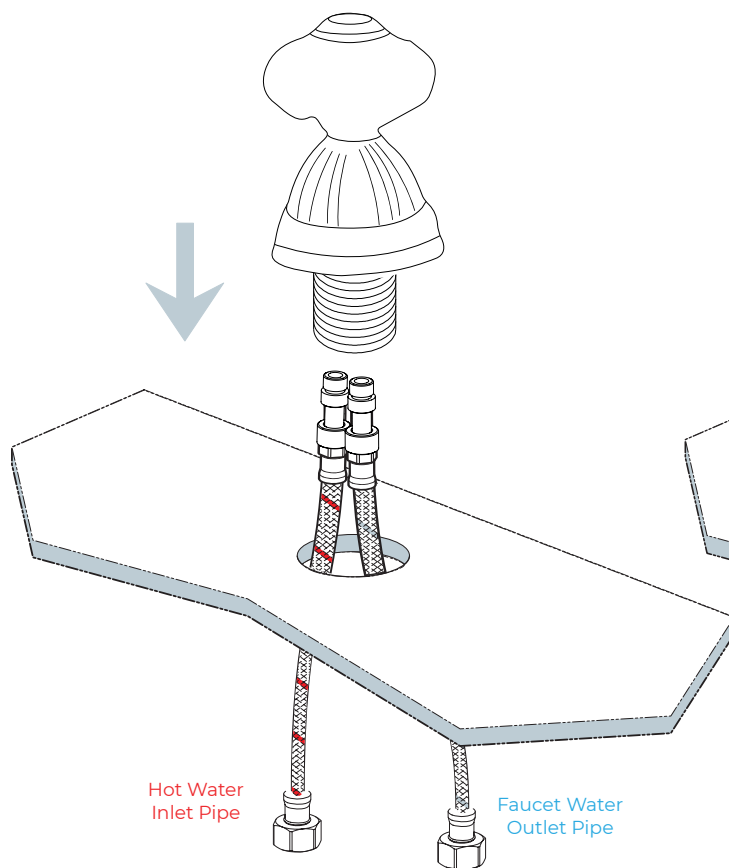
will the faucet fit my sink?



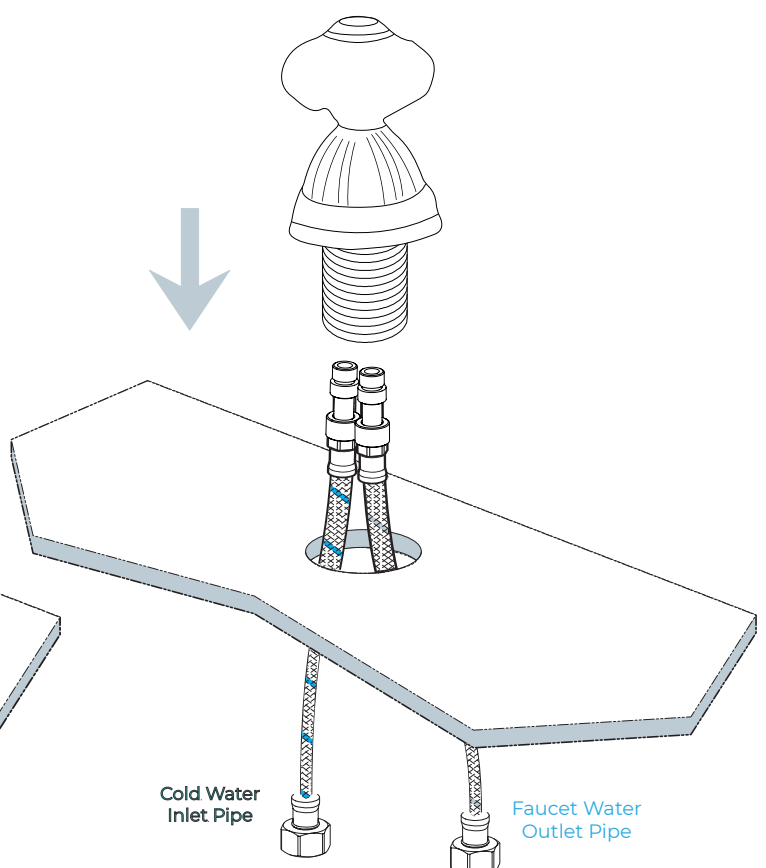
All dimensions and specifications are nominal and may vary. Use actual products for accuracy in critical situations.

1. Ensure that the water supply below your sink is completely shut off by turning the valve all the way to the right.
2. Remove the T-connector from the spout. first remove the nut that is holding it in place. Set the parts aside.
3. Mark the position on deck where u want to install the faucet.
4. Install Rubber washer on faucet. Ensure that the rubber o-ring is seated properly, and that the nut is tightened firmly using an adjustable wrench.
5. Mark the position of handle and install.
6. Install pipeline. Connect the water pipe line in their connections (Hot & cold).
7. Connect the pipes to T-connector. Use the braided water lines to connect the hot and cold valve stems to the T-connector. While holding in place, hand tighten the lock nut. Finish tightening using a basin wrench.
8. Use an adjustable wrench to tighten, but be careful not to overtighten. Apply thread sealant or plumber's tape to each threaded connection before attaching.
9. Connect the main water supply lines to the valve stems. Apply plumber's tape or thread sealant to the threads before tightening.
10. Turn the faucet on and allow the water to flow for approximately 60 seconds. Ensure that there are no leaks, and that both hot and cold water are running properly.

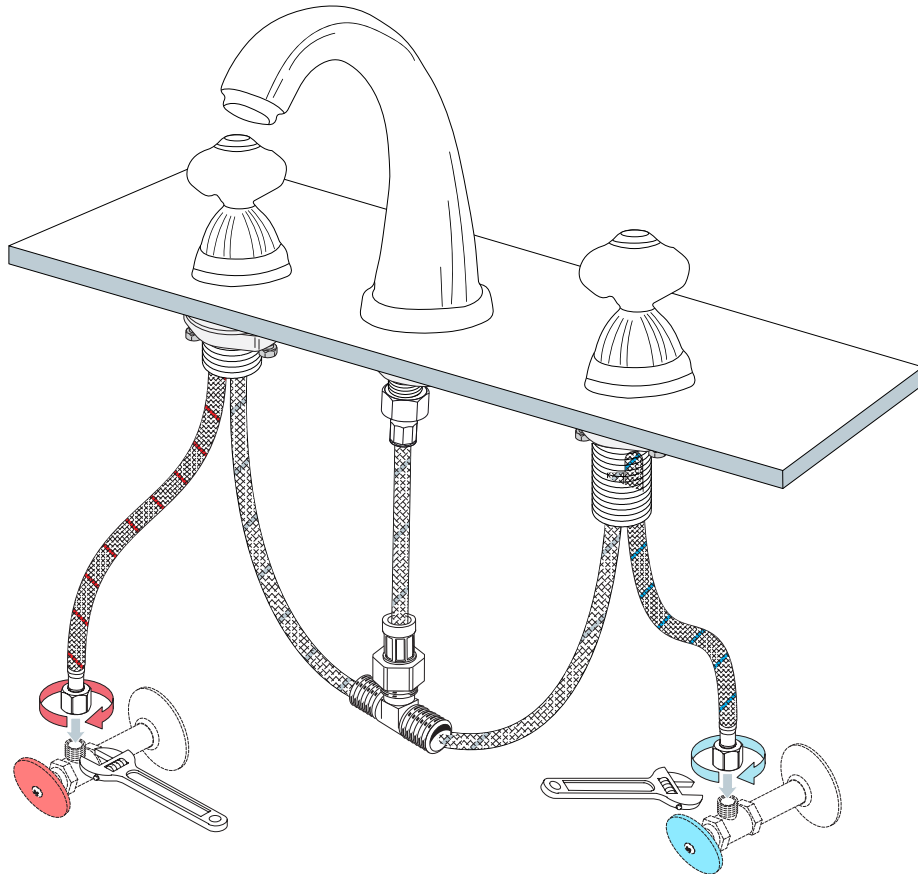
Step 2:



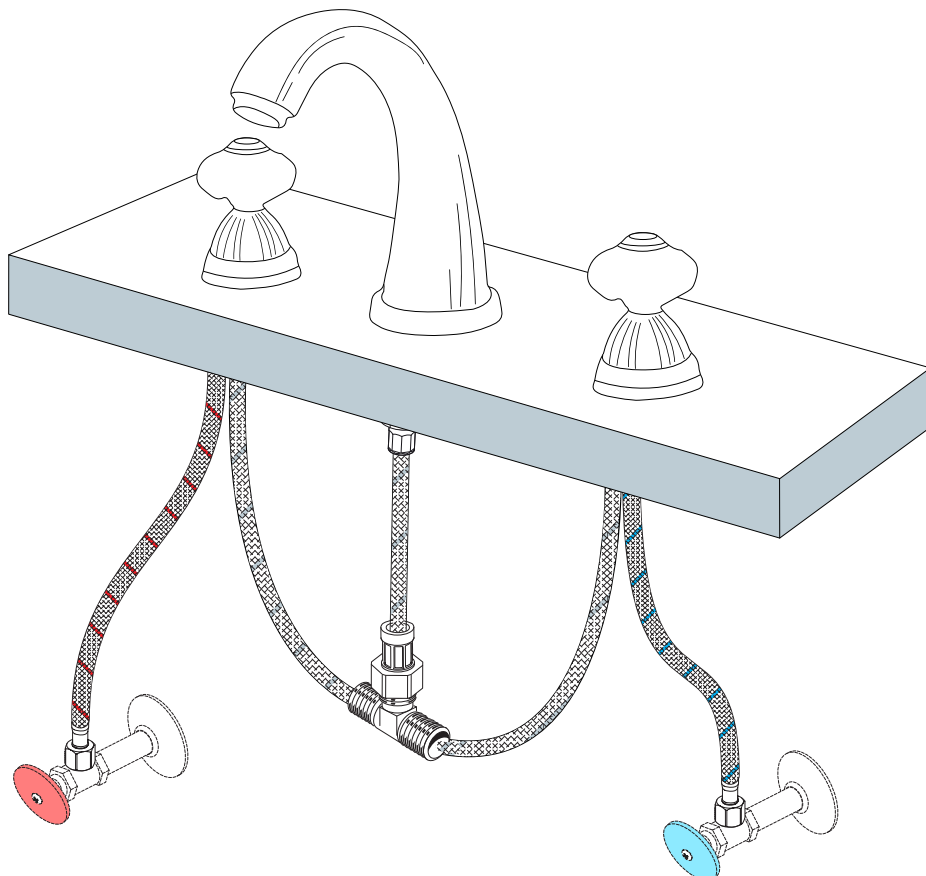
Step 3:



Step 4:

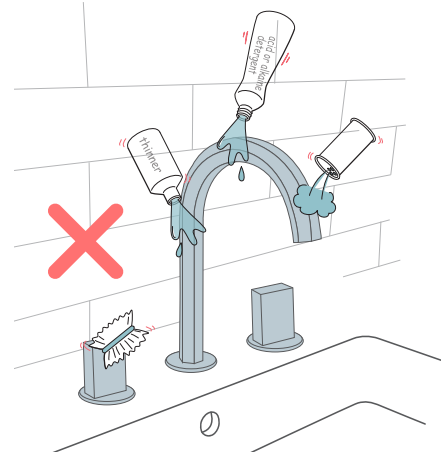


Step 5:



Care & Cleaning

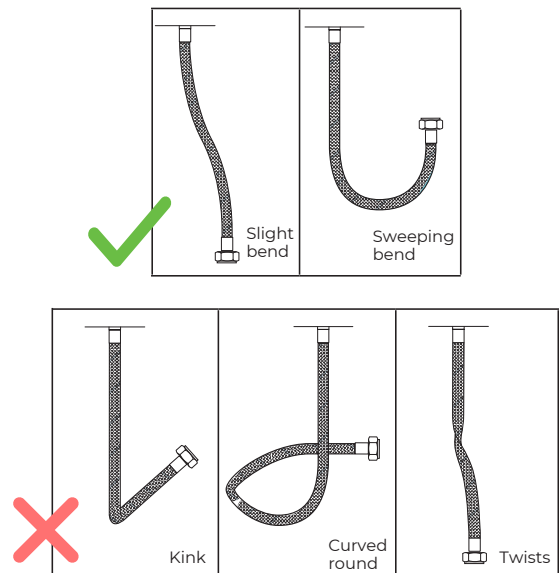
1. The product can be cleaned with warm water, a mild soap and a clean soft cloth.
2. Clean progressively and gently.
3. It is not required to use any abrasive cleaning pads, wire wool or micro-fibre cloths to clean the product.
4. Avoid a vigorous cleaning action, as this could contribute to denaturing and dulling the finish.
5. Abrasive or strong cleaning products containing ammonia, bleaches, alcohol, dyes, acids (hydrochloric, formic, phosphorus, chlorine or acetic) will be detrimental to the product finish.
6. If using a spray cleaner, apply the cleaning agent onto a soft cloth, never directly spray onto the product as the cleaner may enter gaps and openings and cause damage. Do not allow the cleaner to remain on the product for a period of time. After cleaning, rinse thoroughly with clean water.



Flexible Connecting Hose

Care must be taken when connecting the flexible connection hose from the power supply box to the spout to ensure it does not bend sharply and kink or twist. See above for recommended ways to fit the flexible connecting hose.

Important: Failure to follow these guidelines may result in poor performance and damage to the flexible connection hose.



For more details, visit the product page:

