

**GOLD THERMOSTATIC LED REMOTE CONTROLLED RECESSED CEILING
GOLD MOUNT RAINFALL WATERFALL SHOWER SYSTEM WITH JETTED
BODY SPRAYS AND HANDHELD SHOWER INSTALLATION INSTRUCTIONS**



PRIOR TO INSTALLATION

Please read installation instructions below. All plumbing should be installed in accordance with applicable building codes and regulations.

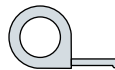
Unpack and inspect the items for any shipping damages. If you find damages, do not install.

All products must be installed by a professional and certified plumber otherwise warranty may be voided.

POSSIBLE TOOLS REQUIRED*



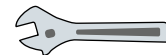
Plumbers Tape



Tape Measure



Level



Adjustable Wrench



Hex Wrench



Thread Sealant



Drill



Pencil or Marker

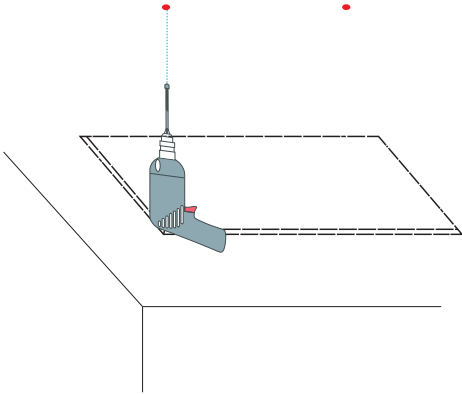


Screwdriver

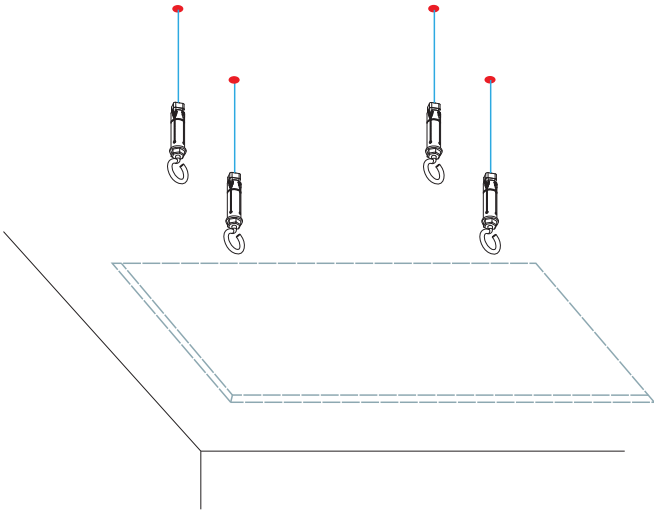
*not included

Shower Head Installation Instructions

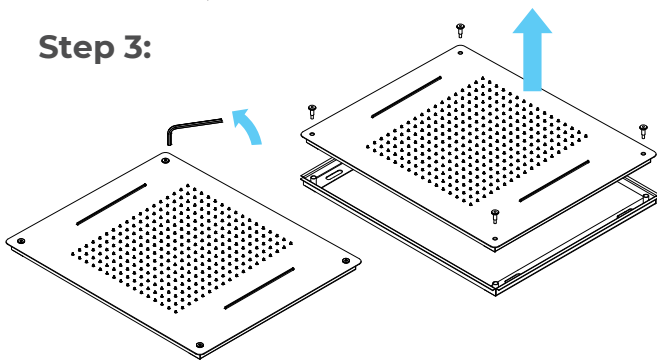
Step 1:



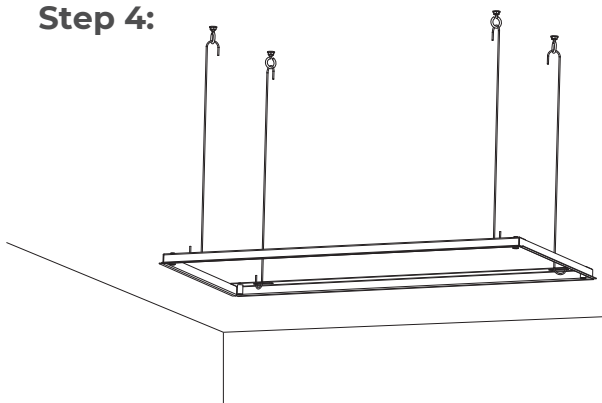
Step 2:



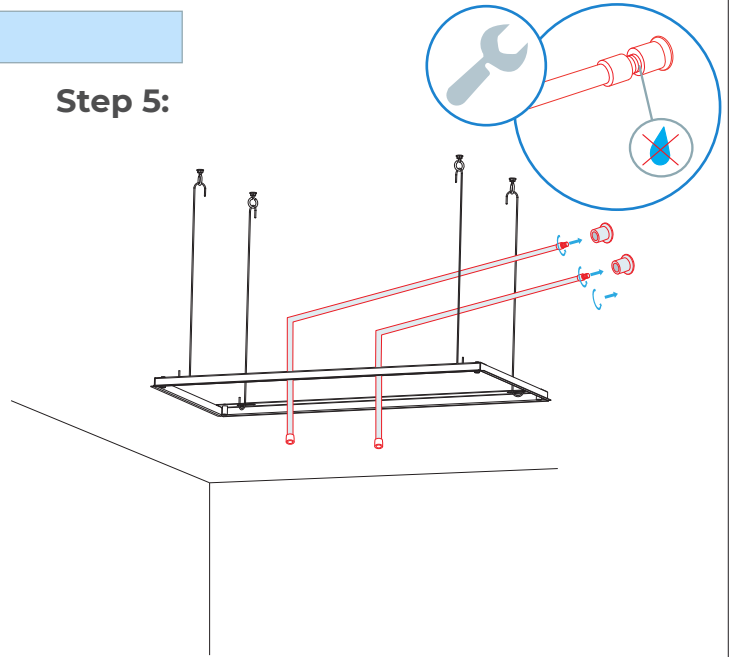
Step 3:



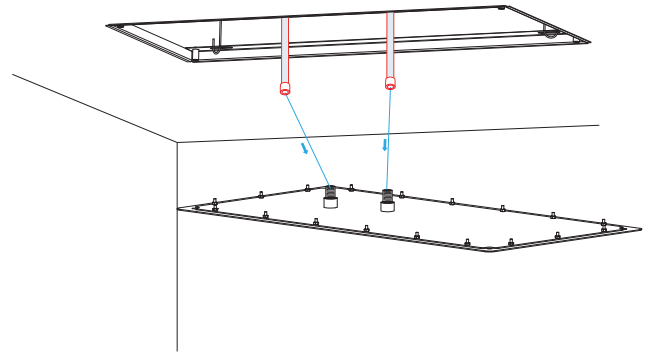
Step 4:



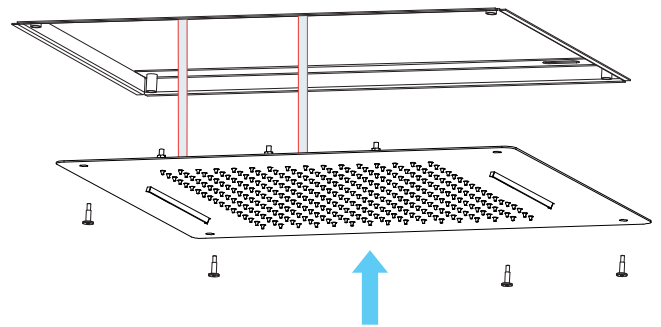
Step 5:



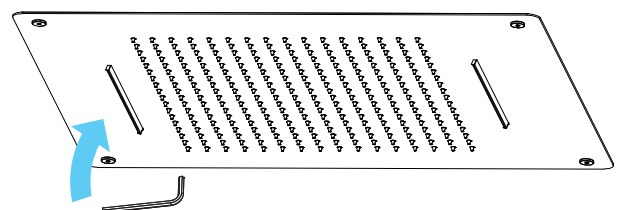
Step 6:



Step 7:

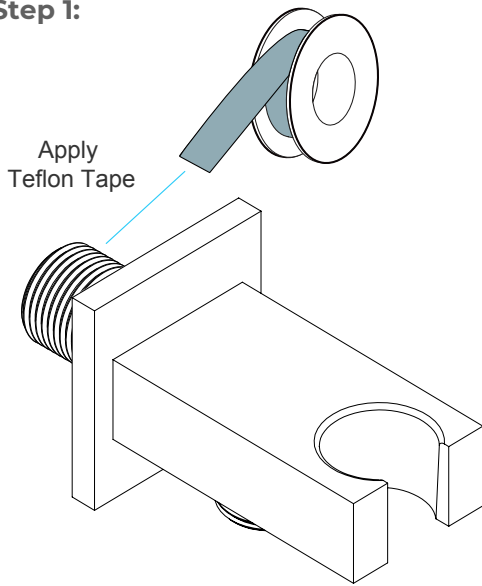


Step 8:

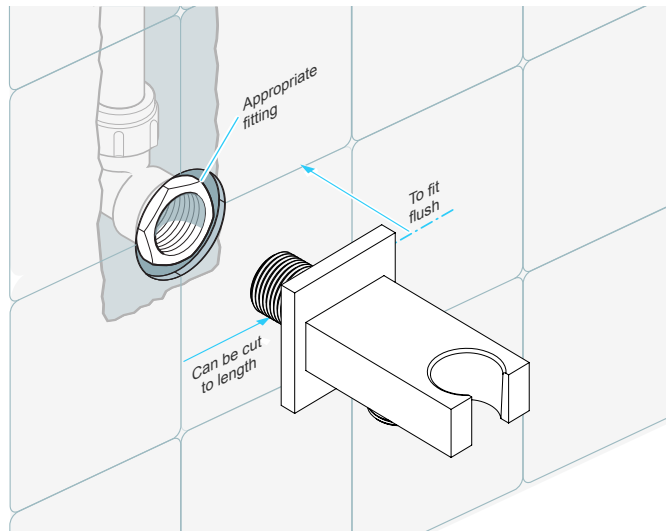


Hand Shower Installation Instructions

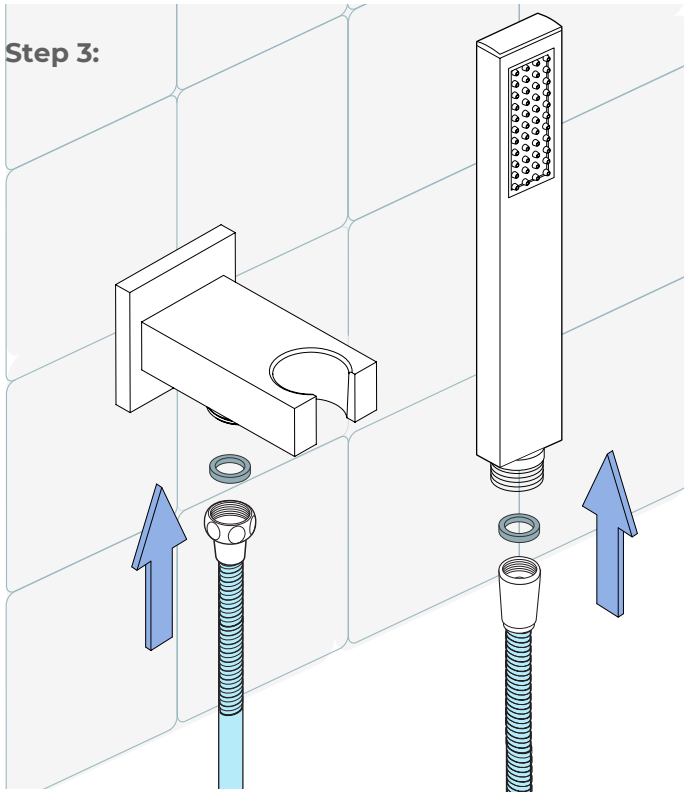
Step 1:



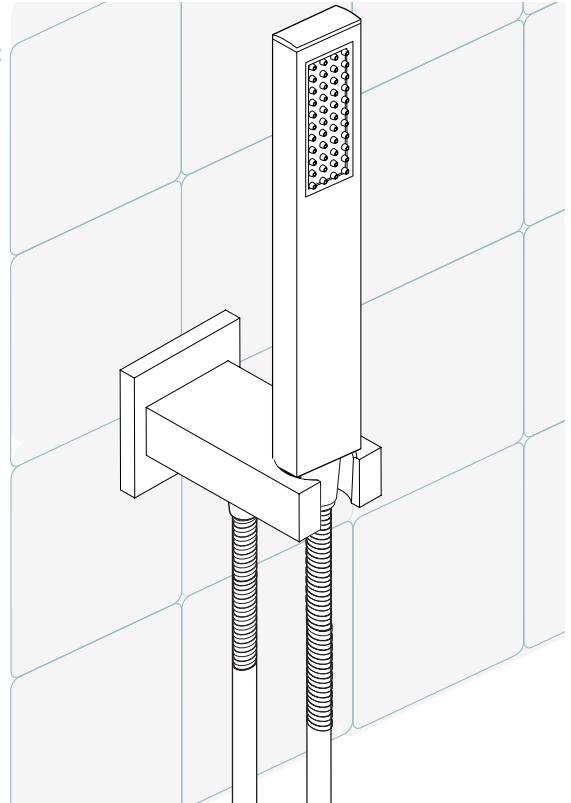
Step 2:



Step 3:



Step 4:



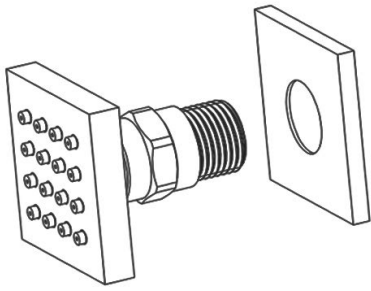
Hand Shower Outlet Installation

• Complete the outlet pipework ensuring it ends in an appropriate 15mm x 1/2" BSP female thread elbow.
Note: This fitting is not supplied as variations in installations require the selection of a suitable solder or compression fitting.

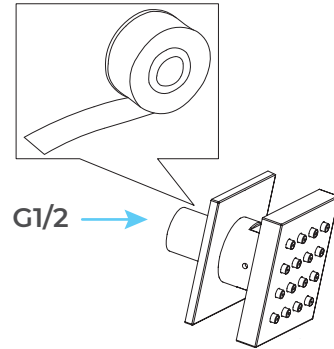
• Install the 'Wall Outlet', thread long male 1/2" BSP into the appropriate female fitting using PTFE tape to give a watertight joint.

Note: The thread can be cut to size if required. Make sure that all debris is removed from the connector and the section that has been cut is dressed correctly, before installation.

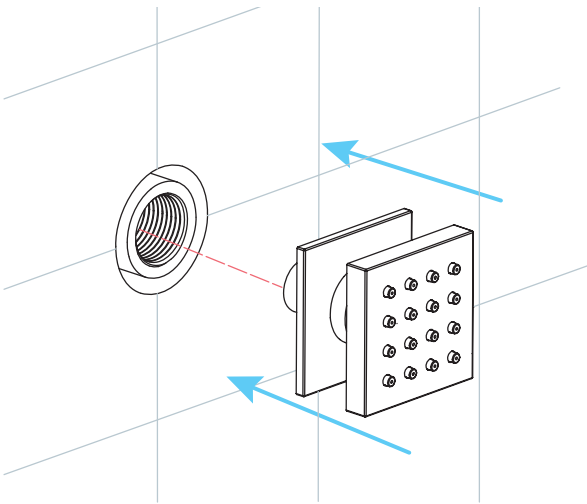
Body Jets Spray Installations Instruction



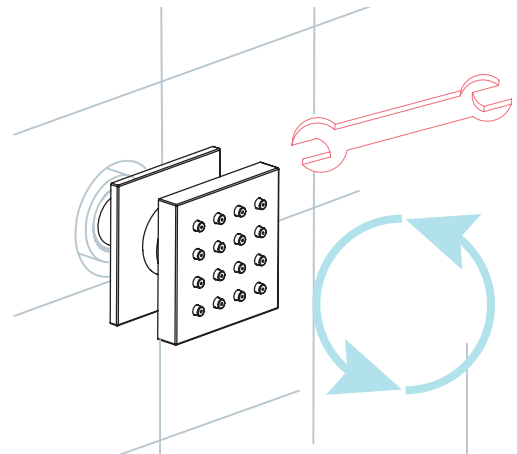
Step 1: Attach the escutcheon to the body spray.



Step 2: Apply teflon tape to threaded tail pipe of the body spray



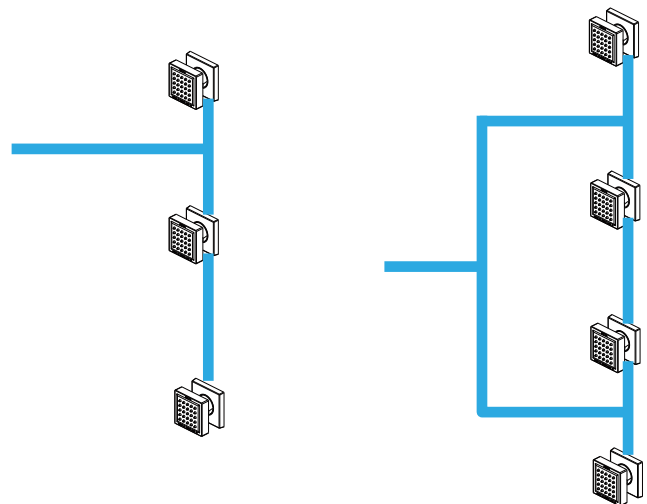
Step 3: Press the escutcheon against the finished wall



Step 4: Screw the Body spray tightly into the female of water Supply

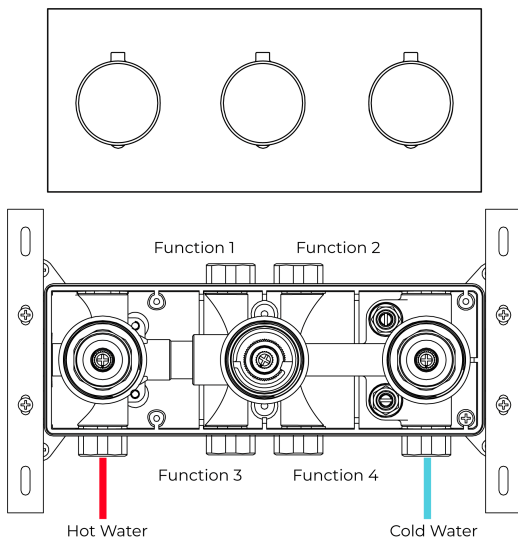
Pressure Balancing Loop:

- If installing bodysprays in a bank of 3 or fewer, a pressure balancing loop is not necessary.
- If installing bodysprays in a bank of 4 or greater, a pressure balancing loop must be used to keep the pressure even between the bodysprays.

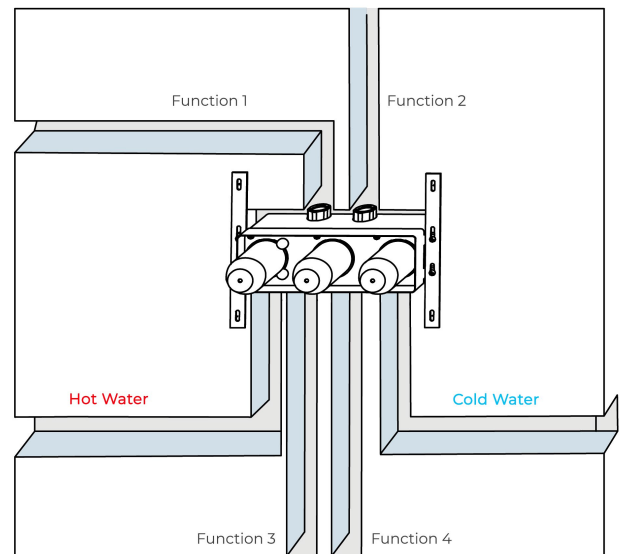


Mixer Installations Instructions

Step 1



Step 2



1. Attach the positioning bar to the rough-in body with tapping screws. Mark the location of the mounting holes.

2. Remove the rough-in body and drill pilot holes at the locations marked in the previous step. Insert anchors.

3. Attach the rough-in body to the wall.

4. Connect the rough-in body to the water supply pipes.

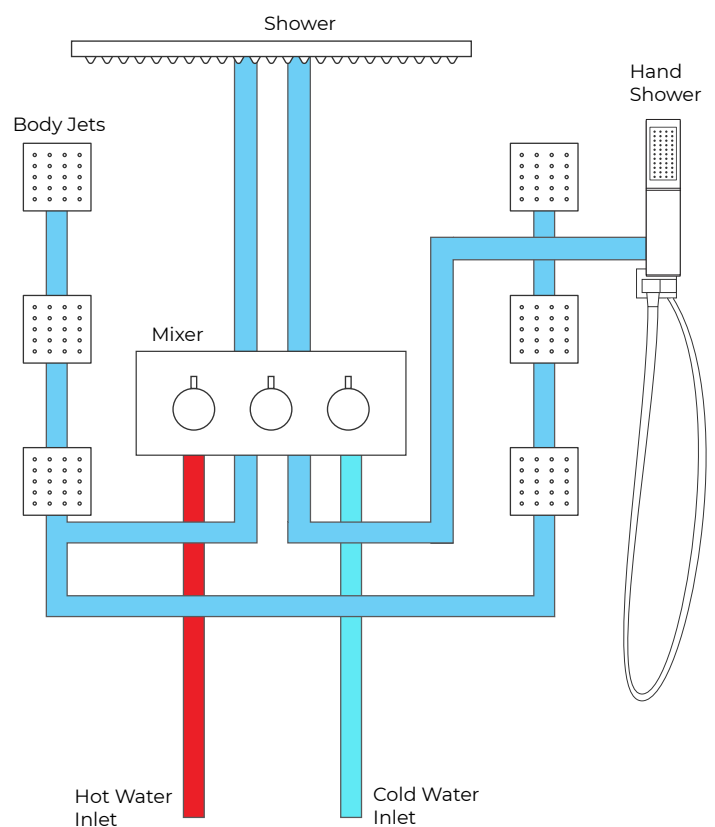
5. Finish the wall surrounding the mixer with a thickness of 1/2"-1-1/2".
a) The finished wall surface should not exceed the upper edge of the installation box.

6. If the tile exceeds the edges of the installation box, trim the tile as necessary to install the trim plate.
b) Trim the tile around the installation box as necessary.

7. Remove the plastic guard and place the trim plate over the installation box.

8. Install the screws covers, handles and buttons.

Step 3 (Connection)



General Information

All products manufactured and supplied by BathSelect are safe and comply to legislative requirements. Providing they are installed correctly and receive regular maintenance in accordance with these instructions your user experience will not be affected.

Care & Cleaning

1. The product can be cleaned with warm water, a mild soap and a clean soft cloth.
2. Clean progressively and gently.
3. It is not required to use any abrasive cleaning pads, wire wool or cloths to clean the product.
4. Avoid a vigorous cleaning action, as this could contribute to denaturing and dulling
5. Abrasive or strong cleaning products containing ammonia, bleaches, alcohol, dyes, acids (hydrochloric, formic, phosphorus, chlorine or acetic) will be not be affected.
6. If using a spray cleaner, apply the cleaning agent onto a soft cloth, never directly spray onto the product as the cleaner may enter gaps and openings and cause damage. Do not allow the cleaner to remain on the product for a period of time. After cleaning, rinse thoroughly with clean water.

