

MATTE BLACK THERMOSTATIC RECESSED CEILING MOUNT LED MIST WATERFALL RAINFALL SHOWER SYSTEM WITH JETTED BODY SPRAYS AND HAND SHOWER INSTALLATION INSTRUCTIONS



PRIOR TO INSTALLATION

Please read installation instructions below. All plumbing should be installed in accordance with applicable building codes and regulations.

Unpack and inspect the items for any shipping damages. If you find damages, do not install.

All products must be installed by a professional and certified plumber otherwise warranty may be voided.

POSSIBLE TOOLS REQUIRED*



Plumbers Tape



Tape Measure



Level



Adjustable Wrench



Hex Wrench



Thread Sealant



Drill

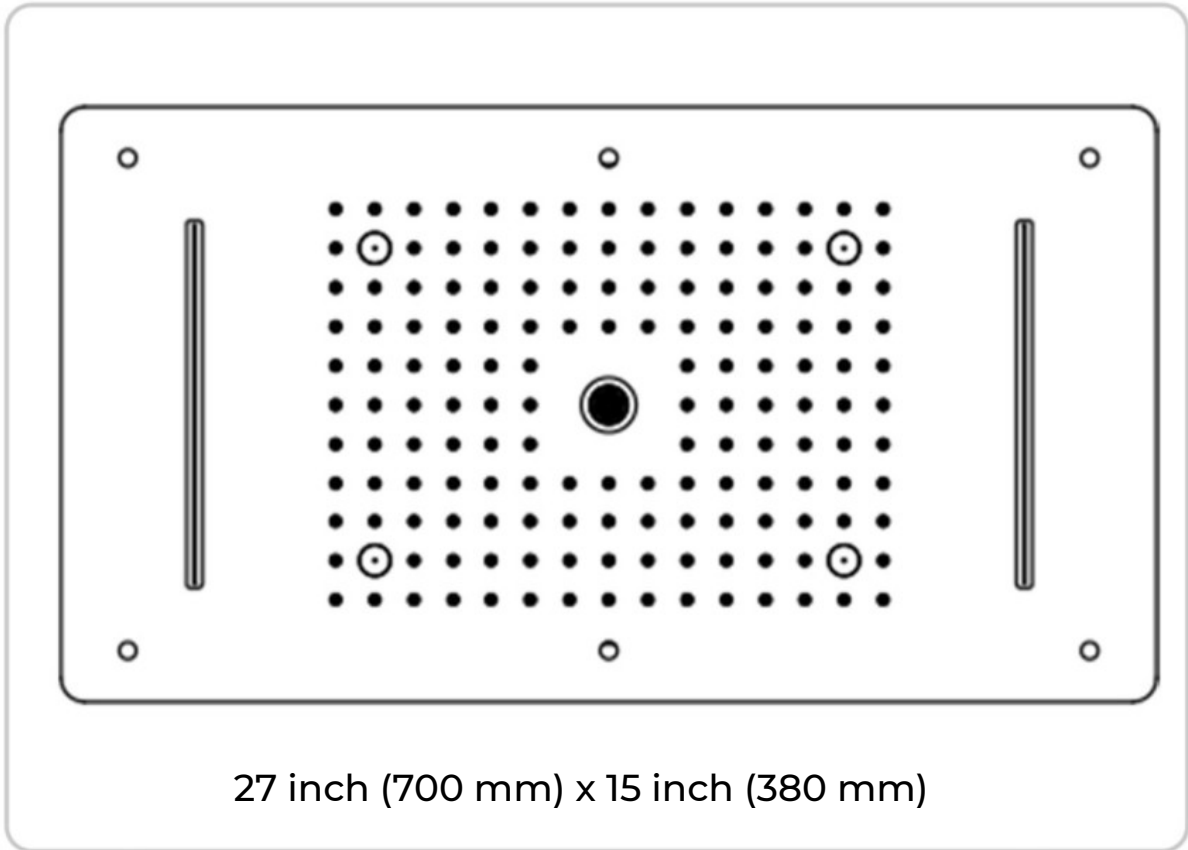


Pencil or Marker

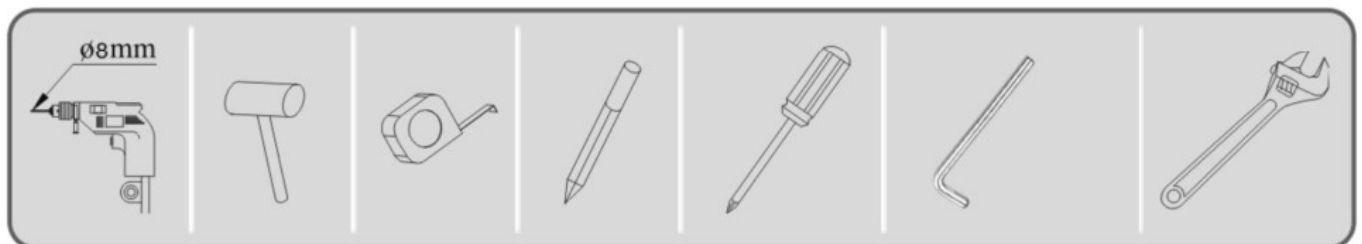
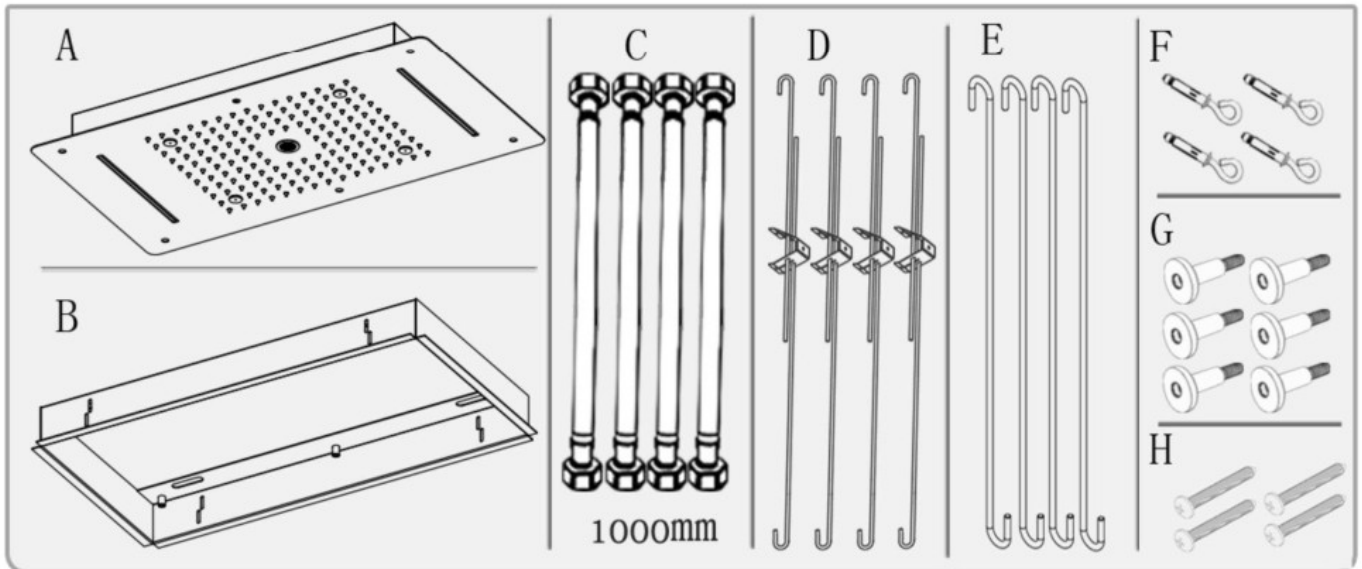


Screwdriver

*not included

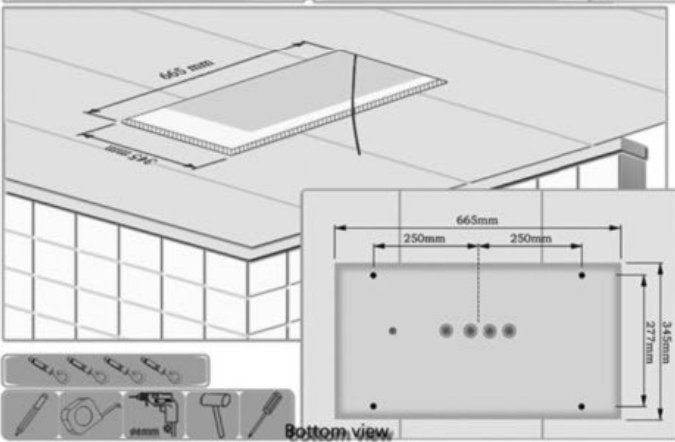
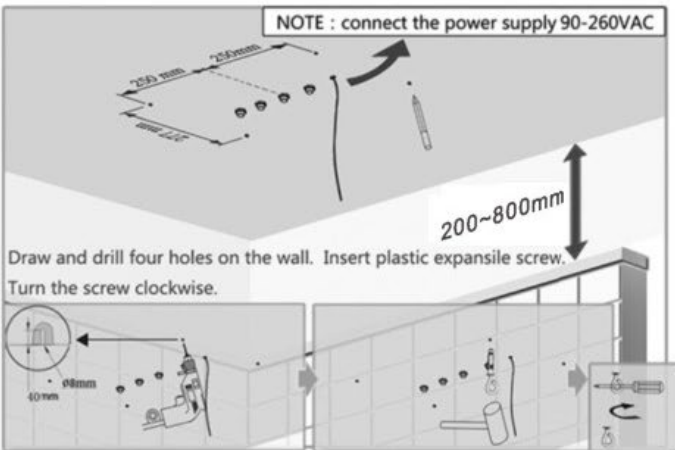


Before installing , to take out six screws "G" from the plate of shower head , separate shower hold "B" from shower head

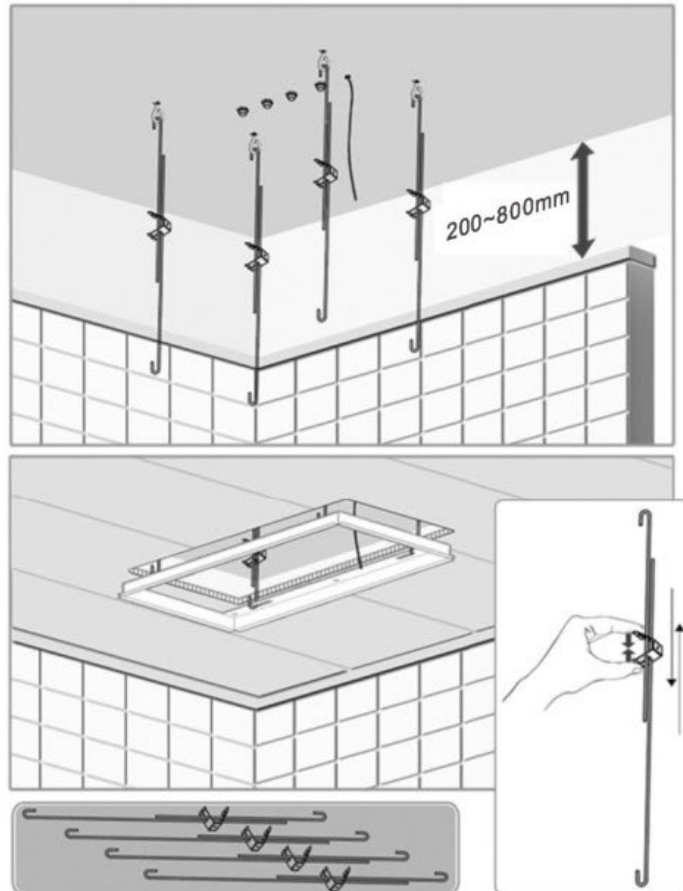


1

NOTE : connect the power supply 90-260VAC

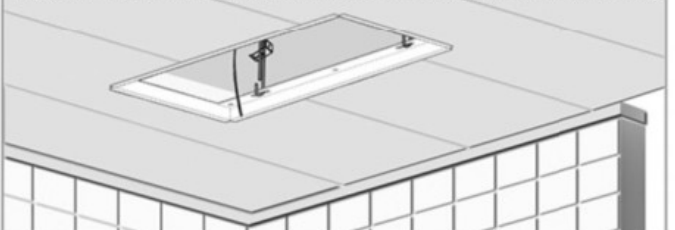


2

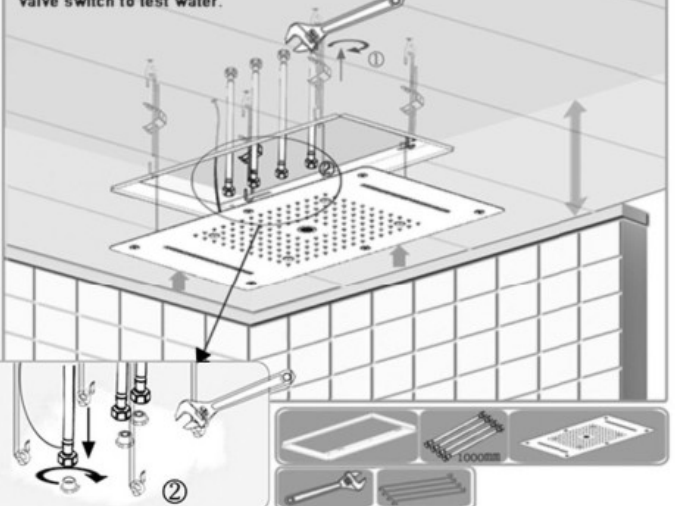


3

Adjust the expansion link. Make sure the holder is at the same line with ceiling.

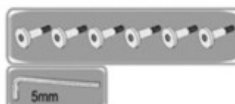
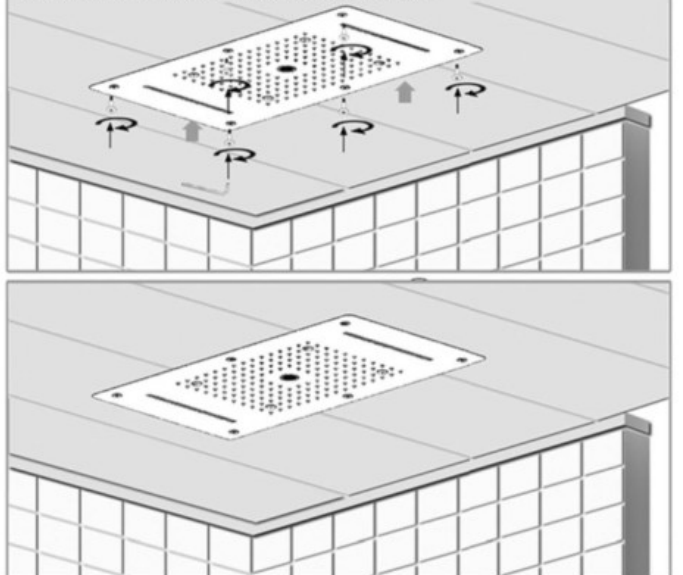


Respectively hang the end of four "S" shaped bars to be on the holder, the other end is hung to be one of the four rings on the back of shower head, then using the one of the end of three flexible braided hoses is connected with the water inlet pipe, the other end is connected with the joint of shower head, then to open the valve switch to test water.



4

Remove "S" shaped bars, closely shower head to holder, rotary screws to fix shower head to be on holder.



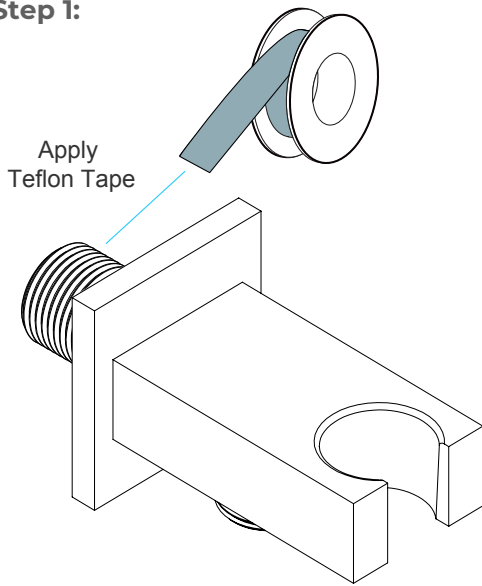
Before using, please buy a pair of AAA7# battery then put into the controller.



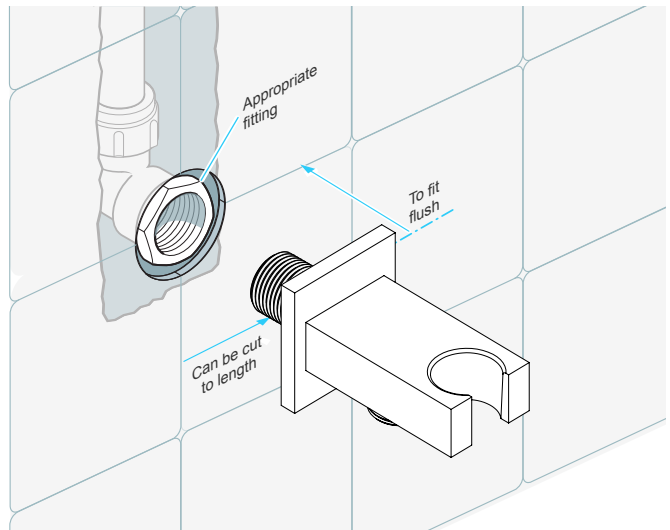
INSTALLATION IS COMPLETE

Hand Shower Installation Instructions

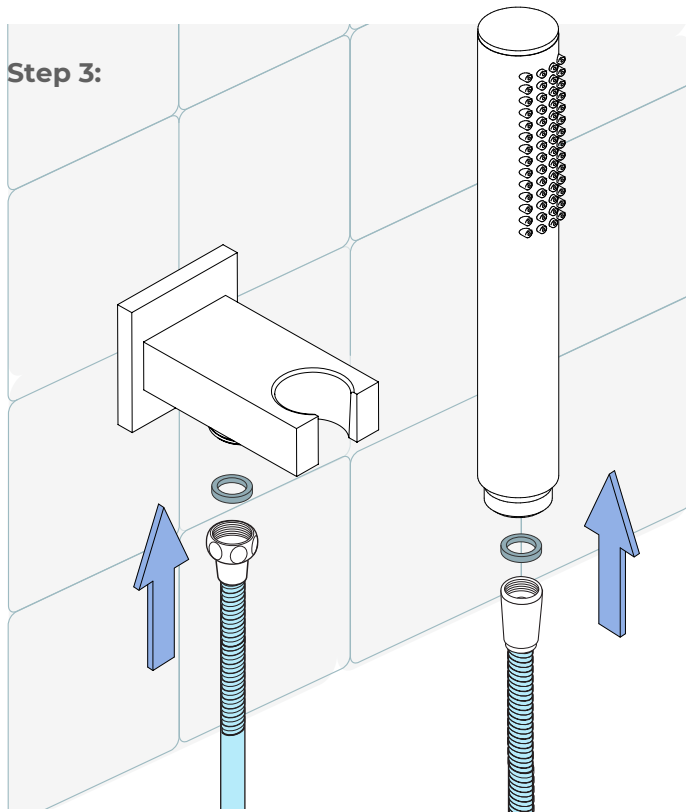
Step 1:



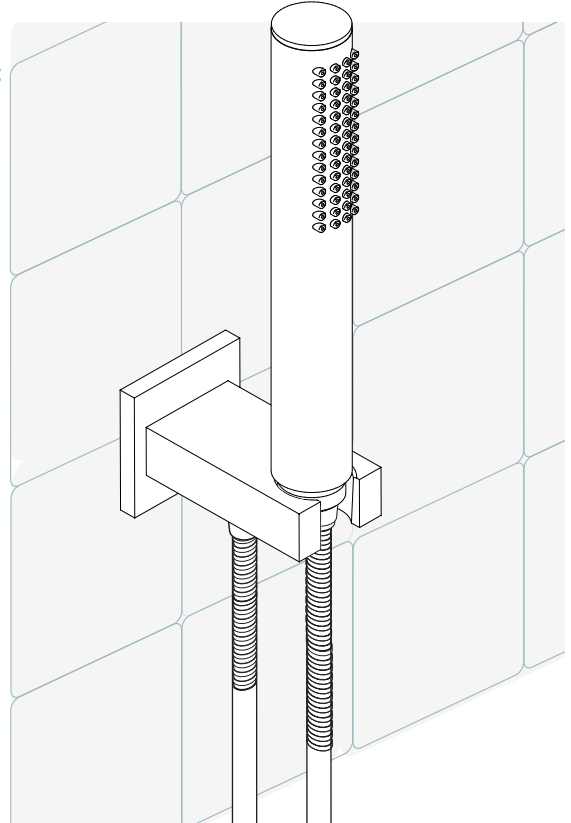
Step 2:



Step 3:



Step 4:



Hand Shower Outlet Installation

- Complete the outlet pipework ensuring it ends in an appropriate 15mm x 1/2" BSP female thread elbow.

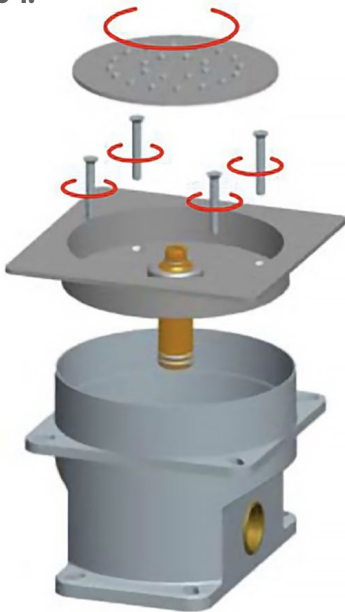
Note: This fitting is not supplied as variations in installations require the selection of a suitable solder or compression fitting.

- Install the 'Wall Outlet', thread long male 1/2" BSP into the appropriate female fitting using PTFE tape to give a watertight joint.

Note: The thread can be cut to size if required. Make sure that all debris is removed from the connector and the section that has been cut is dressed correctly, before installation.

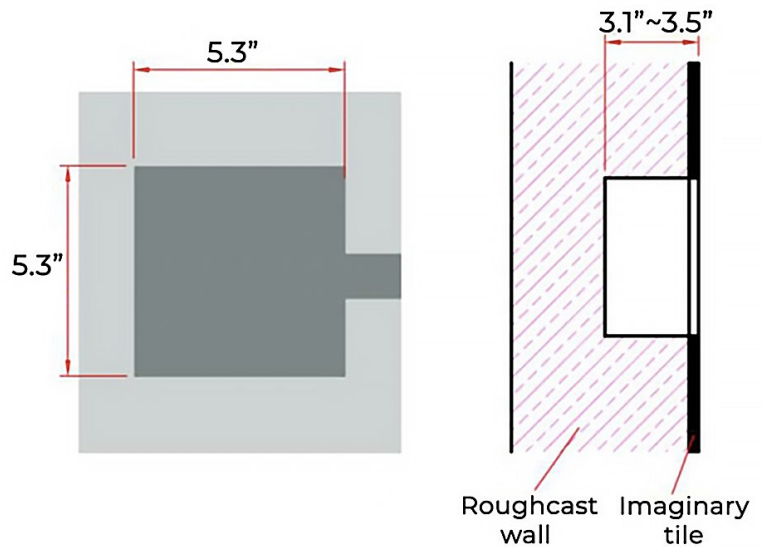
Body Jets Installation Instructions

Step 1:



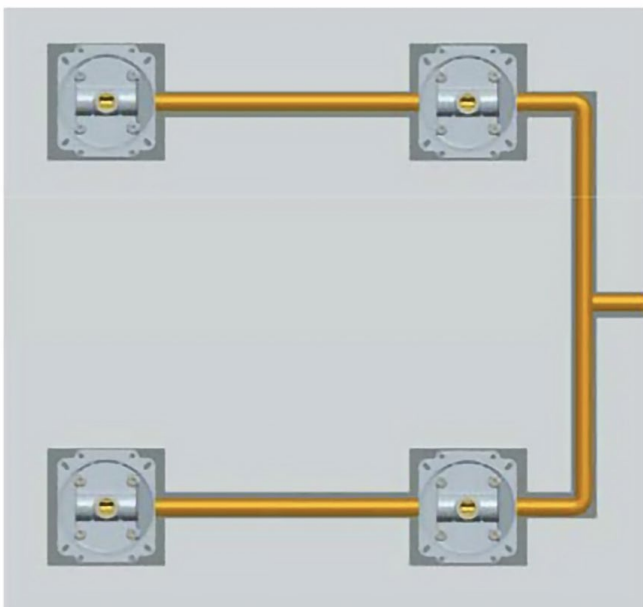
To revolve the nozzles and 4 sets M4 screws by counterclockwise rotation, and then take out nozzles and panel.

Step 2:



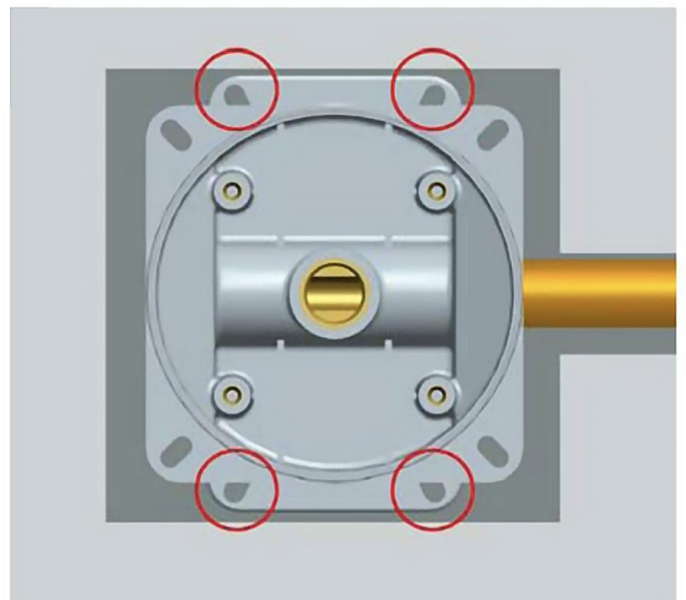
According to the using situation, to dig a concealed hole in the right position, the size is bigger than 5.3" x 5.3", the depth of the opening wall is 3.1" - 3.5" distance the tile end.

Step 3:



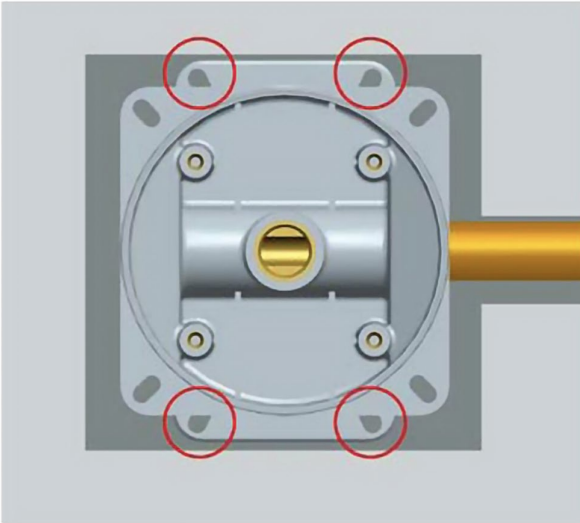
To set up pipelines according to using situation, to connect pipelines and the concealed box, and then test the water, make sure pipelines no leakage water.

Step 4:



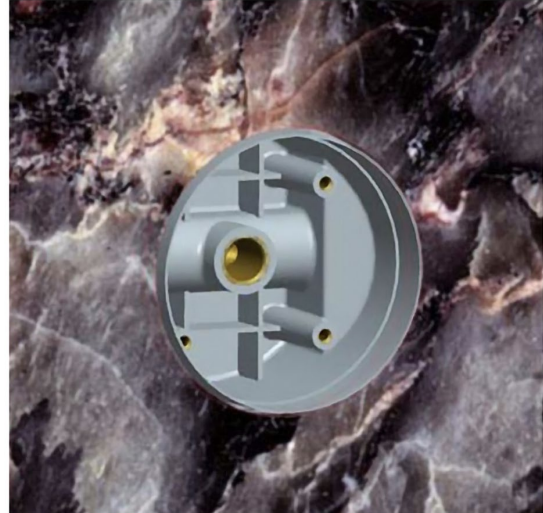
To place the concealed box in the wall, and make sure the same level using leveling instrument, then drill to open a positioning hole, and then bury the expansion tube.

Step 5:



To fix concealed box using self-tapping screws with gaskets, and maintain the same level.

Step 6:



Fill cement in the external groove of the concealed box, Stick tile well.

Step 7:



To recess, the higher part of the conceal box as not to interfere with the tile, make sure that if you cave cut the box that is free of burrs.

Step 8:



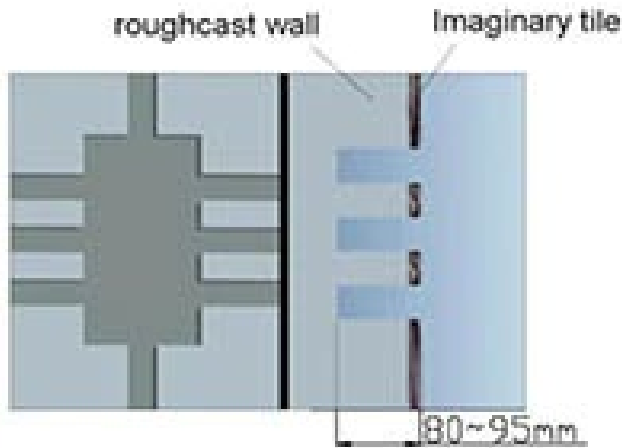
To revolve the nozzles and 4 sets M4 screws by clockwise, to install the nozzles and the nozzle panel on the plastic concealed box.

Body jets should be arranged in your system to provide the necessary spray outlets to suit the application.

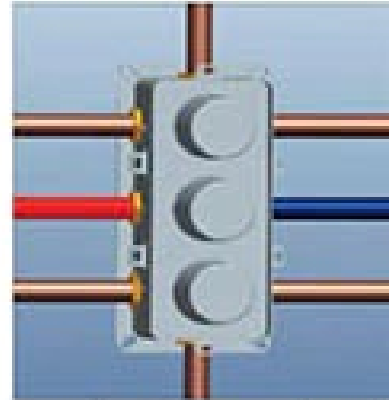
1. Identify all components and check for completeness, particularly before arranging fitting.
2. Depending on the application the body jet can be panel mounted using a backnut (not supplied) or set into the wall on rigid pipe work. If panel mounting care should be taken to ensure connection can be made after securing with the backnut.
3. Connect body jet to pipe work using recommended ½" BSP connections (not provided) with thread sealing compound where necessary.

Note: - Before finishing wall turn on water supplies to check both correct system function and for leaking from joints/connections.

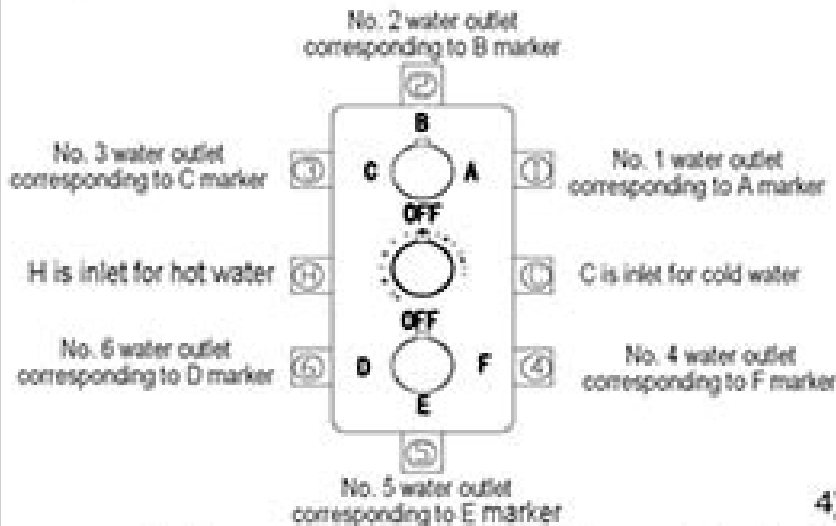
4. Complete wall finish.



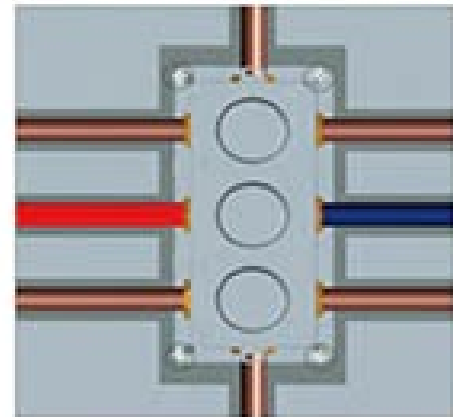
1) According to the spot conditions and requirements to set installation dimension (depth of opening wall is 80-90mm distance the tile end)



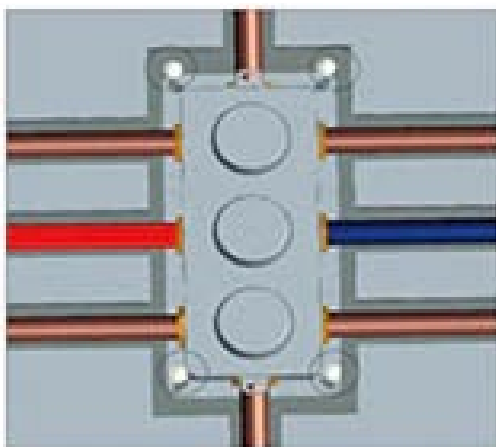
2) According to the spot conditions and requirements to set up pipelines, to connect concealed box and pipelines.



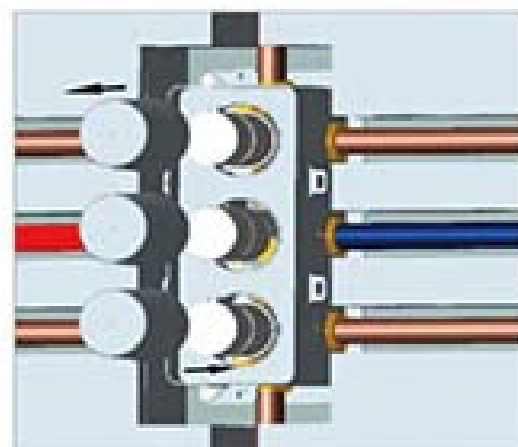
3) Please connect pipelines well according to this manual, to correspond between pipelines and markers on plate of panel.



4) To place the concealed box in the wall, and make sure the same level using leveling instrument, then drill to open positioning hole, and then bury the expansion tube.



5) To fix concealed box using self tapping screws with gaskets, and maintain the same level.



6) To take aside temporarily the three protective caps, to install the handle (screw without locking) and then open the waterway to test the pipelines does not leak water.



7) After testing water, to remove the handle and then cover 3 protective caps, then fill cement in the external groove of concealed box.



8) Stick tile well.



9) To recess the higher part of the conceal box as not to interfere with the tile, make sure that if you cave cut the box that is free of burrs



10) To remove the three protective caps, and then to install the panel according to the requirements, pay attention to the direction and gear.



11) To install the handle as required to start, then using the Hex key, lock them into position. Make sure the valve is in the off position as the dials in this position refers to the valve being closed meaning no water flowing. Finished installation.



12) The thermostatic shower mixer is equipped with two stop valves on the inlet side. When you need to repair and maintenance the shower mixer and fittings on each shower mixer, you only need to remove the handwheel and the panel one by one and turn the thermostat clockwise two stop valves, you can turn off the water.

General Information

All products manufactured and supplied by BathSelect are safe and comply to legislative requirements. Providing they are installed correctly and receive regular maintenance in accordance with these instructions your user experience will not be affected.

Care & Cleaning

1. The product can be cleaned with warm water, a mild soap and a clean soft cloth.
2. Clean progressively and gently.
3. It is not required to use any abrasive cleaning pads, wire wool or cloths to clean the product.
4. Avoid a vigorous cleaning action, as this could contribute to denaturing and dulling
5. Abrasive or strong cleaning products containing ammonia, bleaches, alcohol, dyes, acids (hydrochloric, formic, phosphorus, chlorine or acetic) will be not be affected.
6. If using a spray cleaner, apply the cleaning agent onto a soft cloth, never directly spray onto the product as the cleaner may enter gaps and openings and cause damage. Do not allow the cleaner to remain on the product for a period of time. After cleaning, rinse thoroughly with clean water.

