

CONTEMPORARY WALL MOUNT WATERFALL BATHTUB SHOWER FAUCET CHROME SHOWER MIXER TAP INSTALLATION INSTRUCTIONS



PRIOR TO INSTALLATION

Please read installation instructions below. All plumbing should be installed in accordance with applicable building codes and regulations.

Unpack and inspect the items for any shipping damages. If you find damages, do not install.

All products must be installed by a professional and certified plumber otherwise warranty may be voided.

POSSIBLE TOOLS REQUIRED*



Plumbers Tape



Tape Measure



Level



Adjustable Wrench



Hex Wrench



Thread Sealant



Drill



Pencil or Marker



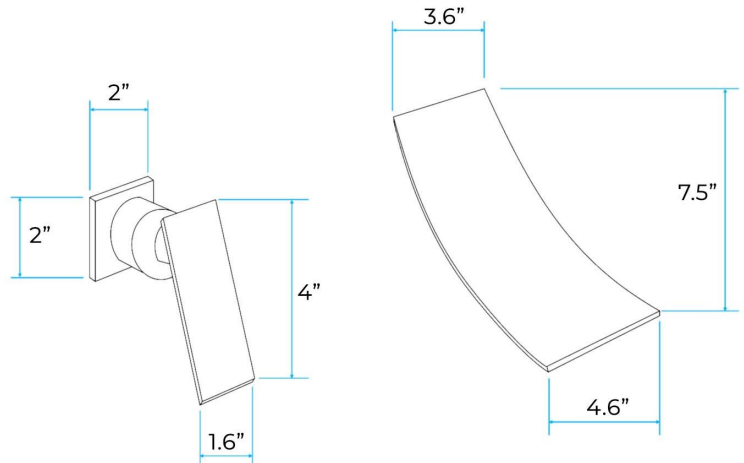
Screwdriver

*not included

Technical Information

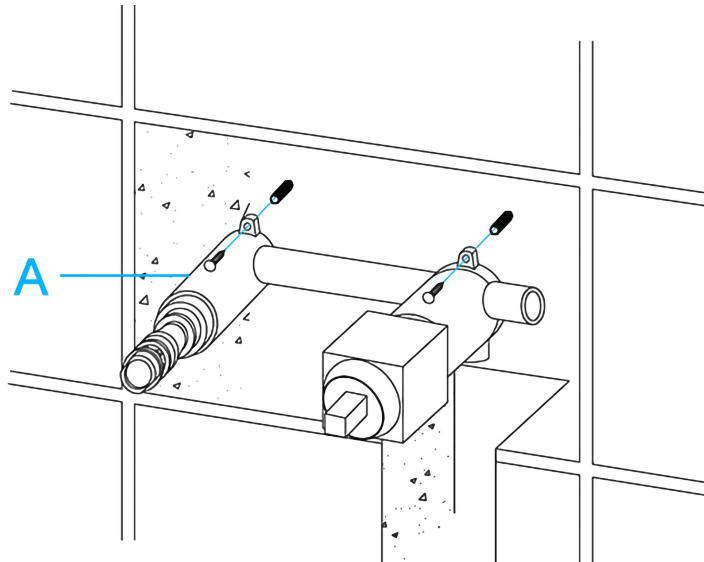
Feature: Wall Mount, Widespread, Waterfall
 Style: Contemporary
 Installation Holes: Two Holes
 Number of Handle: Single Handle
 Spout Length: 7.48 " (190 mm)
 Spout Width: 4.6 " (118 mm)
 Faucet Center: 3 to 6 Inches
 Valve Type: Ceramic Valve
 Faucet Body Material: Brass
 Faucet Spout Material: Brass
 Faucet Handle Material: Zinc Alloy
 Flow Rate: Max 4 GPM / 15.1 LPM (tub Spout)

Faucet Size

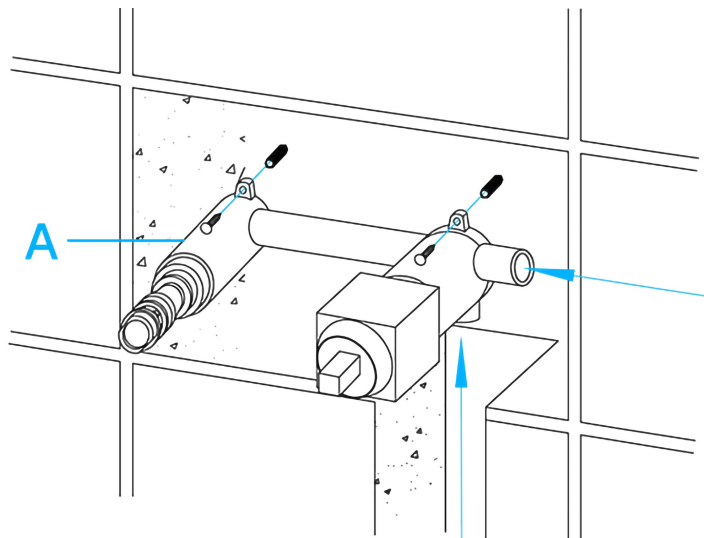


Wall Mount Installation

Step 1:

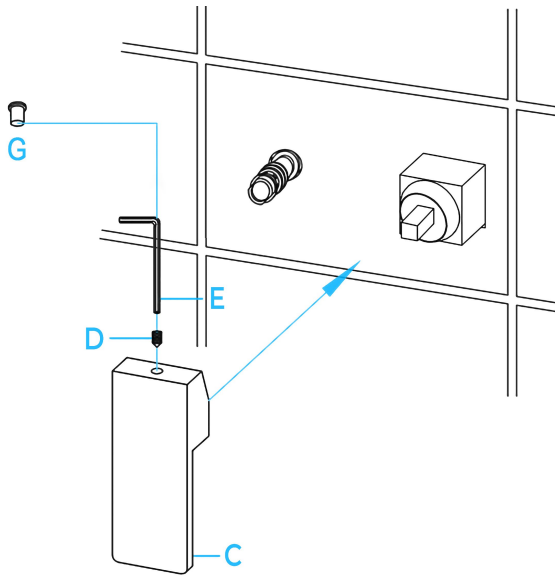


Step 2: Connect Hot & Cold Waterpipe lines

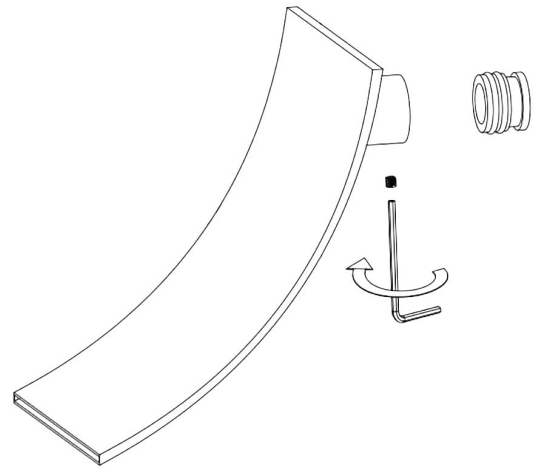


All dimensions and specifications are nominal and may vary. Use actual products for accuracy in critical situations.

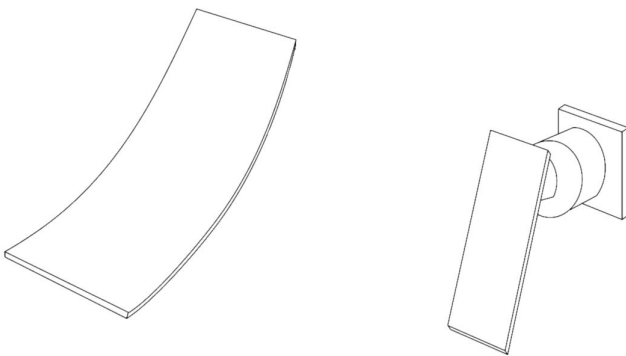
Step 3:



Step 4:



Step 5:



Installation Instruction

Before installing your new mixer, flush through the pipework to ensure the removal of debris, turn off the water supply.

The valve must be set into the wall.

Mark a horizontal line on the wall at the required height, mark the position of the valve and the spout, drill the holes.

Mark the position of the valve and drill 2 holes to take suitable wall plugs and screws.

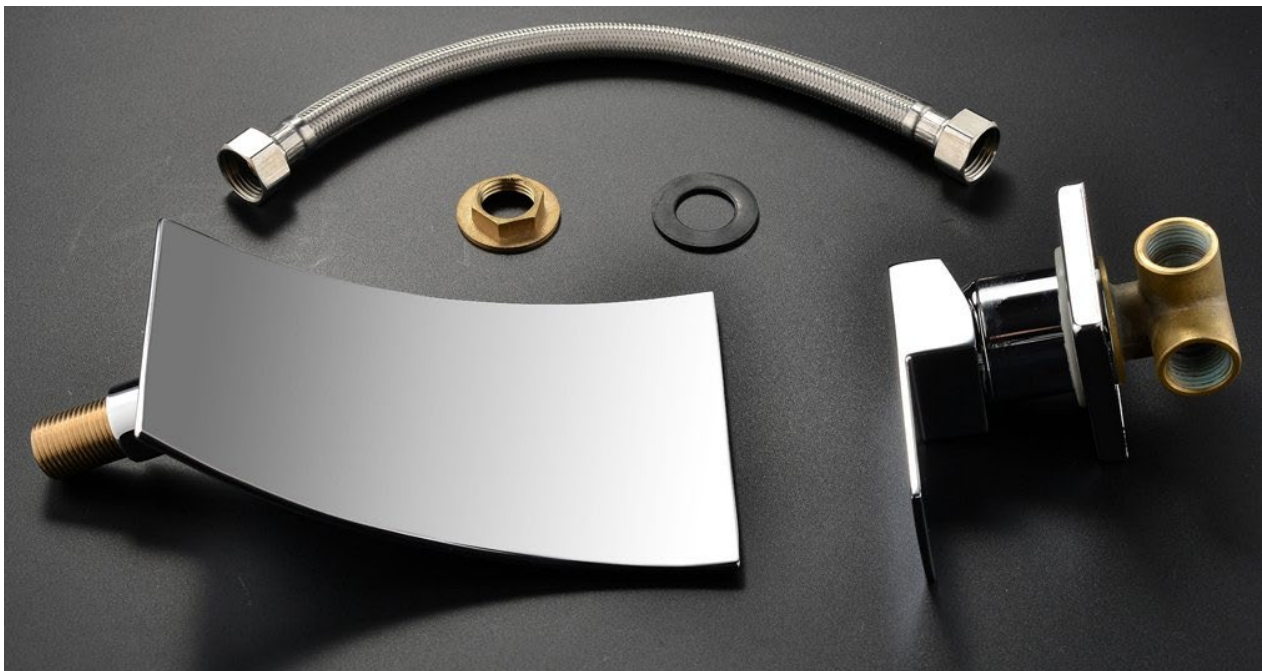
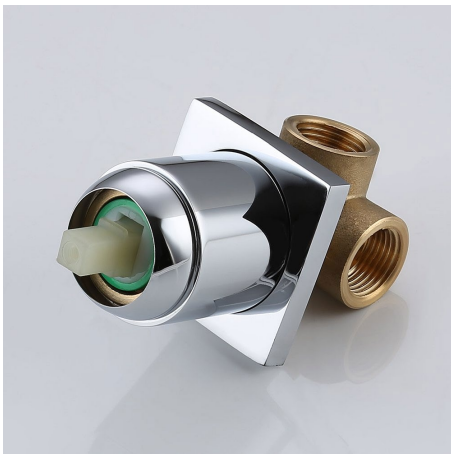
Connect the water supply to the inlet pipes. The hot water should be connected to the left-hand tap.

Screw the cover plate over the valve and up to the wall, push the 'O' ring onto the splines, push on the control handle in a horizontal position and fix in place using the hexagonal key.

Screw on the spout up to the wall.

1. Fix the valve body into the wall with screws. Make sure the valve body is completely level.
2. Connect the hot and cold water inlets of the valve body to the main water supply.

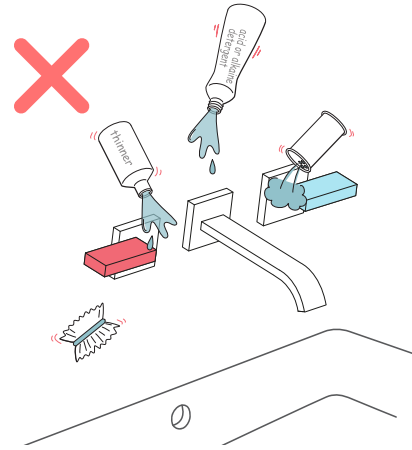
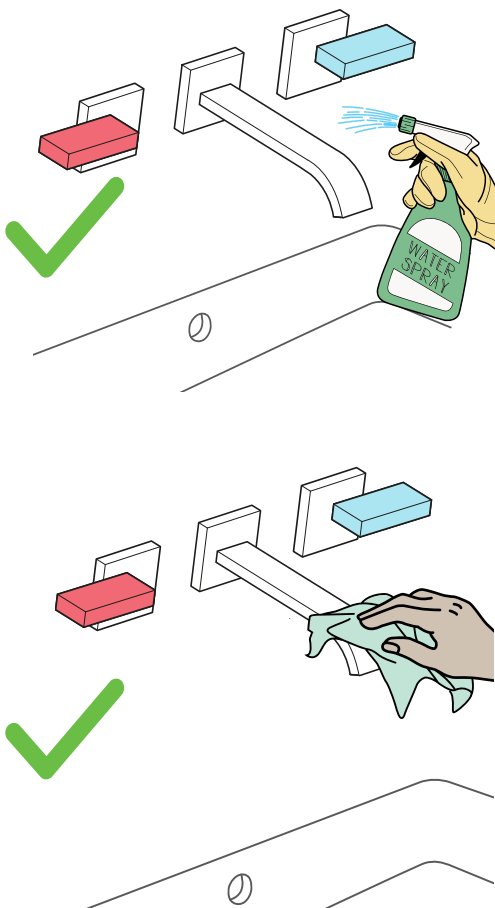
Product Images



(Images are for display purpose only and may vary from actual product)

Care & Cleaning

1. The product can be cleaned with warm water, a mild soap and a clean soft cloth.
2. Clean progressively and gently.
3. It is not required to use any abrasive cleaning pads, wire wool or micro-fibre cloths to clean the product.
4. Avoid a vigorous cleaning action, as this could contribute to denaturing and dulling the finish.
5. Abrasive or strong cleaning products containing ammonia, bleaches, alcohol, dyes, acids (hydrochloric, formic, phosphorus, chlorine or acetic) will be detrimental to the product finish.
6. If using a spray cleaner, apply the cleaning agent onto a soft cloth, never directly spray onto the product as the cleaner may enter gaps and openings and cause damage. Do not allow the cleaner to remain on the product for a period of time. After cleaning, rinse thoroughly with clean water.



Flexible Connecting Hose

Care must be taken when connecting the flexible connection hose from the power supply box to the spout to ensure it does not bend sharply and kink or twist. See above for recommended ways to fit the flexible connecting hose.

Important: Failure to follow these guidelines may result in poor performance and damage to the flexible connection hose.

